

5033CVSP 5033CUSP, & 5033CUSP25 Sump Pumps

With a rugged cast iron construction, the 5033CVSP, 5033CUSP, and 5033CUSP25 can handle up to 60 gallons per minute.

Features:

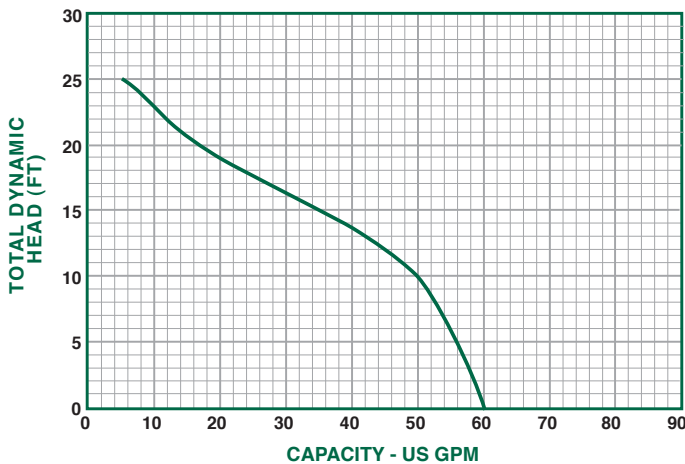
- Split Capacitor Motor - 1/3 HP continuous duty, thermal protected
- Lifts water up to 25' of vertical height
- 10' power cord, 25' cords are available for an additional charge
- Large 1 1/2" discharge for high capacity pumping
- Also available without a switch
- Clog resistant impeller
- Vertical float switch



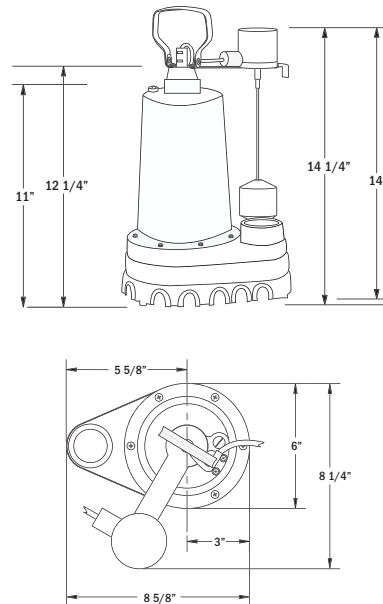
See Pumps & Accessories Price List for Limited Warranty details.



Performance Curve



Dimensions



Performance

Model	Gallons per Minute in Feet					
5033CUSP	0	5	10	15	20	25
5033CUSP25	60	56	50	35	15	6
5033CVSP						

Specifications

Model No.	HP	Volts	Hz	Amps	Construction	Discharge Size	Cord Length	Solids Handling	RPM	Phase	Wt.
5033CVSP	1/3	120	60	5.9	Cast Iron	1 1/2"	10'	1/2"	3450	1	25
5033CUSP (NO SWITCH)	1/3	120	60	5.9	Cast Iron	1 1/2"	10'	1/2"	3450	1	24
5033CUSP25 (NO SWITCH)	1/3	120	60	5.9	Cast Iron	1 1/2"	25'	1/2"	3450	1	25

Sump, Sewage, & Effluent Pumps