

## 5033CVSPEZ Sump Pumps

With its rugged cast iron construction and strong plastic base, the 5033CVSPEZ can handle up to 60 gallons per minute. It is pre-plumbed with a check valve and discharge pipe. Easy to install - everything you need comes in one box.

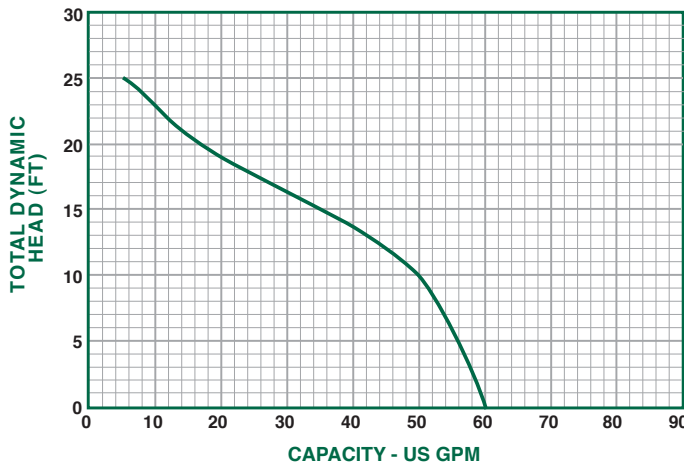
### Features:

- Pump is mounted to the base to prevent clogging and switch malfunction
- Split Capacitor Motor - 1/3 HP continuous duty, thermal protected
- Lifts water up to 25' of vertical height
- 10' power cord, 25' cords are available for an additional charge
- Large 1 1/2" discharge for high capacity pumping
- Clog resistant impeller
- Vertical float switch
- Pre-plumbed

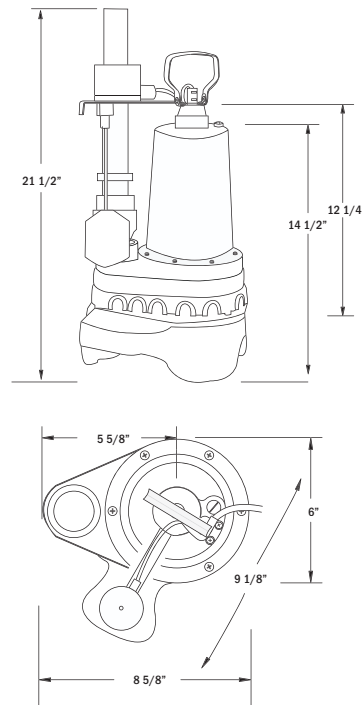


See Pumps & Accessories Price List for Limited Warranty details.

### Performance Curve



### Dimensions



### Performance

Model	Gallons per Minute in Feet					
	0	5	10	15	20	25
5033CVSP	60	56	50	35	15	6

### Specifications

Model No.	HP	Volts	Hz	Amps	Construction	Discharge Size	Cord Length	Solids Handling	RPM	Phase	Wt.
5033CVSPEZ	1/3	120	60	5.9	Cast Iron	1 1/2"	10'	1/2"	3450	1	28

Sump, Sewage, & Effluent Pumps