

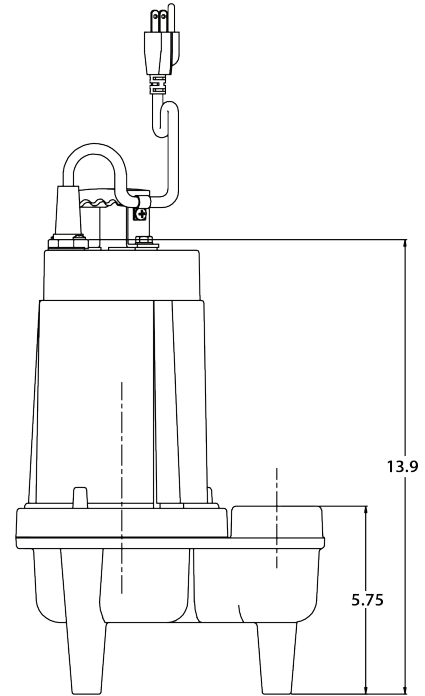
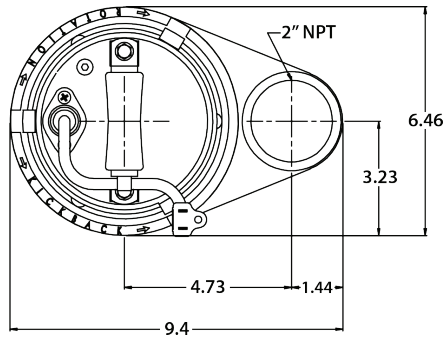
SUBMITTAL DATA SHEET

Wastewater Pumps 1/2 HP Sewage Pumps

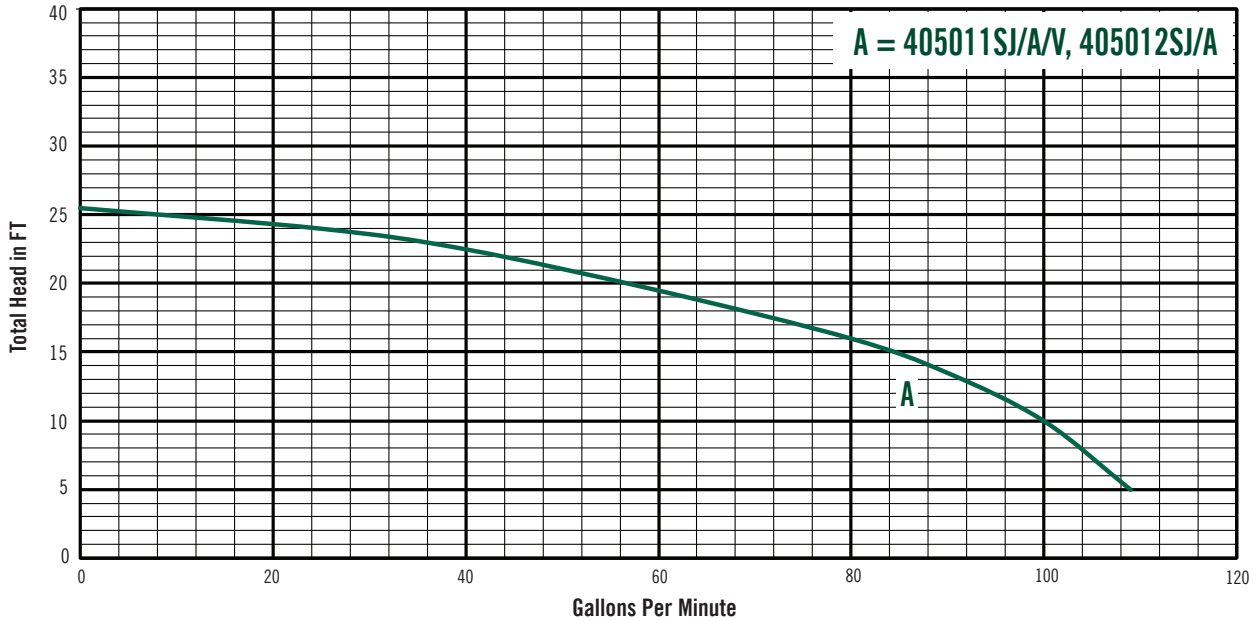


A.Y. McDonald's 1/2 HP Sewage Pumps handle up to 2" solids with a 2" discharge. Applications include basements, dewatering, septic systems, sewage lift stations, add-a-baths and truck docks for applications.

Model	HP	Volts	Phase	AMPS	Cord Length	Switch
405011SJ	1/2	115	1	11.5	20'	Manual
405011SJA	1/2	115	1	11.5	20'	Wide-Angle Float
405011SV	1/2	115	1	11.5	10'	Vertical Float
405012SJ	1/2	230	1	5.75	20'	Manual
405012SJA	1/2	230	1	5.75	20'	Wide-Angle Float



Performance Curve



NO-LEAD: The weighted average of the wetted surface of this no-lead product contacted by consumable water contains less than one quarter of one percent (0.25%) lead.



A.Y. McDonald Mfg. Co.
P.O. Box 508
Dubuque, IA 52004-0508

Toll Free: 1-800-292-2737
Fax: 1-800-832-9296
Hours: 7:00 a.m. - 5:00 p.m., CST

sales@aymcdonald.com
www.aymcdonald.com

A.Y. McDonald considers the information on this assembly drawing correct when published. Item and option availability, including specifications, are subject to change without notice.

Submitted by:

SUBMITTAL DATA SHEET

Wastewater Pumps 1/2 HP Sewage Pumps



Performance

- Heads up to 25' TDH
- Flows up to 109 GPM

Motor

High efficient, 115V or 230V, oil filled, permanent split capacitor motor with upper and lower ball bearings and thermal overload protection

- Constant bearing lubrication
- Maximum motor cooling
- Runs cooler and lasts longer
- Internal overload protection
- Quiet operation
- Fasteners and shaft made from rugged, corrosion resistant stainless steel

Warranty

- 3 Years from date of manufacture

Seal Design

Type 21 inboard seal design with secondary exclusion seal

- Rotating components of seal are in the motor housing, being lubricated by the motor oil preventing foreign matter from wrapping around the seal components
- Seal will last longer if the pump runs dry
- Secondary exclusion seal keeps debris from entering the seal cavity

Impeller Design

Non-clog style, cast-iron vortex impeller

- Designed to help reduce clogging by foreign material

Power Cord

Sealed entry quick disconnect power cords

- Prevents water from entering the motor housing through a cut cord
- Easy to replace in the field
- Available in lengths up to 100'

Switch

Piggy-back switch design

- Defective switches can be diagnosed over the phone
- Pump can be operated manually or supplied with other piggy-back switches
- Switch can be replaced without having to replace the pump

Technical Data

Discharge	2" NPT. vertical standard
Solids Handling	2"
Liquid Temperature	140°F (Intermittent)
Motor Housing	Cast Iron
Volute	Cast Iron
Seal Plate	Cast Iron
Impeller	Cast Iron / Vane
Shaft	Stainless Steel
Shaft Seal (Single Seal)	Inboard mechanical with secondary exclusion V-Seal, carbon rotating face, ceramic stationary face, Buna-N elastomer, 300 series stainless steel hardware
Bearings (Upper & Lower)	Single row, ball, oil lubricated
Hardware	300 Series stainless steel
O-rings	Buna-N
Cord	10' or 20' Length standard. Up to 100' available, depending on model.
Motor (Single Phase)	1/2 HP 3450 RPM. 60 Hz, NEMA L, Includes overload protection in the motor, oil filled, class B permanent split capacitor.
Weight	37 lbs (Manual)

NO-LEAD: The weighted average of the wetted surface of this no-lead product contacted by consumable water contains less than one quarter of one percent (0.25%) lead.



A.Y. McDonald Mfg. Co.
P.O. Box 508
Dubuque, IA 52004-0508

Toll Free: 1-800-292-2737
Fax: 1-800-832-9296
Hours: 7:00 a.m. - 5:00 p.m., CST

sales@aymcdonald.com
www.aymcdonald.com

A.Y. McDonald considers the information on this assembly drawing correct when published. Item and option availability, including specifications, are subject to change without notice.

Submitted by: