

# SUBMITTAL DATA SHEET

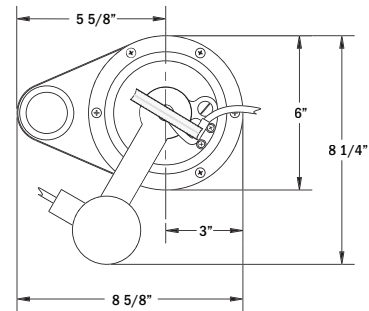
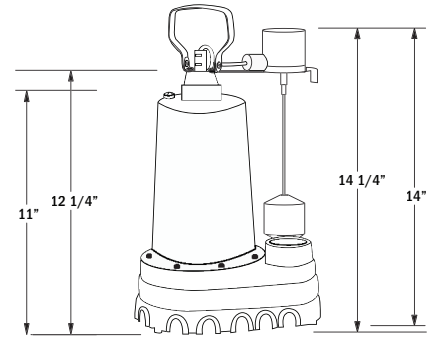
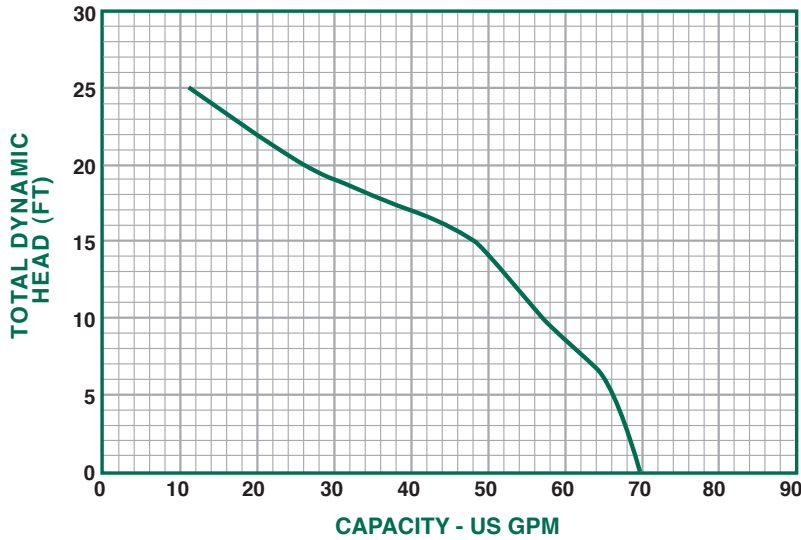
## Sump, Sewage, & Effluent Pumps DuraMAC™ | Guardian 5050CVEF Effluent Pump



See Pumps & Accessories  
Price List for Limited  
Warranty details.

With a rugged cast iron construction, the 5050CVEF can handle up to 70 gallons per minute (GPM).

### Performance Curve



### Performance

Model	Gallons per Minute in Feet					
	0	5	10	15	20	25
5050CVEF	70	66	58	48	25	10

### Specifications

Model No.	HP	Volts	Hz	Amps	Construction	Discharge Size	Cord Length	Solids Handling	RPM	Phase	Wt.
5050CVEF	1/2	120	60	7.6	Cast Iron	1 1/2"	10'	5/8"	3450	1	25

### SUBMITTAL INFORMATION

- Split Capacitor Motor - 1/2 HP continuous duty, thermal protected
- Lifts water up to 25' of vertical height
- 10' power cord
- Large 1 1/2" discharge for high capacity pumping
- Handles 5/8" solids
- Non clogging stainless steel vortex impeller
- Vertical float switch



**NO-LEAD:** The weighted average of the wetted surface of this no-lead product contacted by consumable water contains less than one quarter of one percent (0.25%) lead.



**A.Y. McDonald Mfg. Co.**  
P.O. Box 508  
Dubuque, IA 52004-0508

**Toll Free:** 1-800-292-2737  
**Fax:** 1-800-832-9296  
**Hours:** 7:00 a.m. - 5:00 p.m., CST

sales@aymcdonald.com  
www.aymcdonald.com

A.Y. McDonald considers the information on this assembly drawing correct when published. Item and option availability, including specifications, are subject to change without notice.

**Submitted by:**