

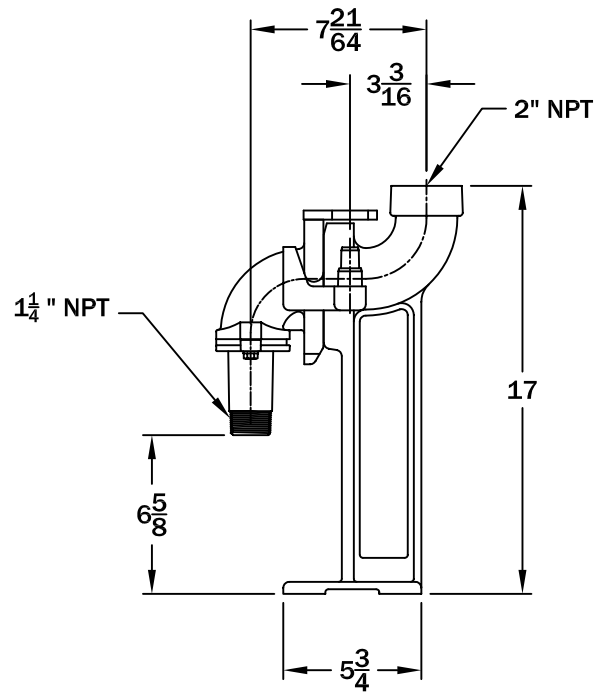
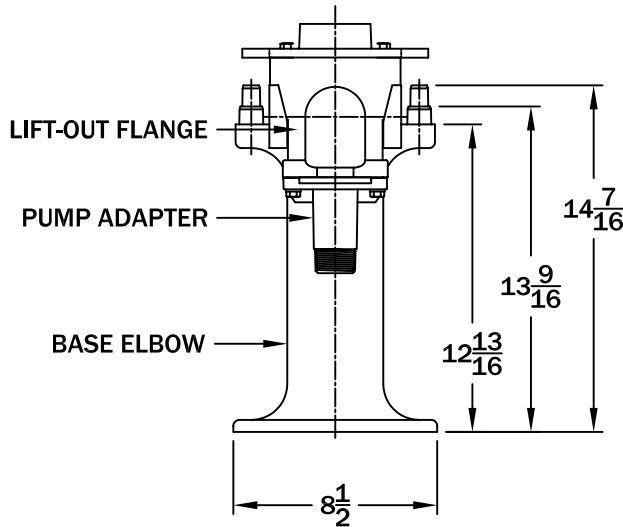
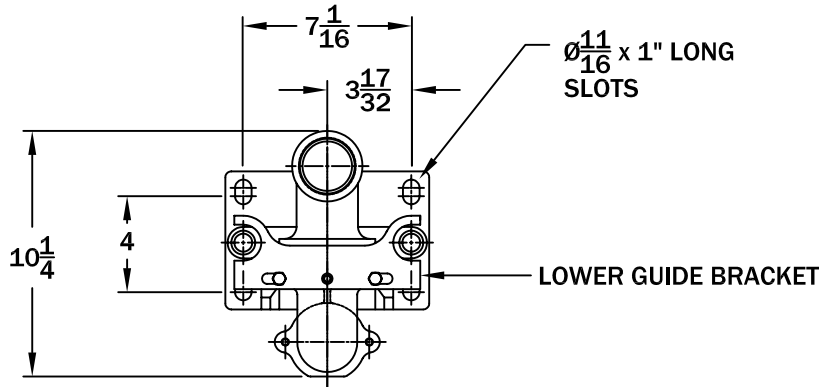
NOTE: ALL DIMENSIONS ARE IN INCHES.

MATERIALS OF CONSTRUCTION:

- PUMP ADAPTER: 304 SST
- BASE ELBOW: CAST DUCTILE IRON
- LIFT-OUT FLANGE: CAST BRASS
- LOWER GUIDE BRACKET: CAST BRASS
- ALL FASTENERS ARE 304 SERIES SST
- USABLE RAIL SIZES: $\frac{3}{4}$ " & 1"
- MAXIMUM WEIGHT ALLOWANCE: 200 lbs

BERS 125-EX

PAGE
1



ALL INFORMATION CONTAINED IN THIS DRAWING IS CONFIDENTIAL AND PROPRIETARY TO CONERY MFG, INC.



CHANGES	TOLERANCES	DRAWN BY	DATE
F	DECIMALS	D. MIDDLETON	03/05/04
E	.XXX = ±.005	MATERIAL SPECIFICATION: AS NOTED	
D	.XX = ±.010		
C	FRACTIONAL		
B	X/X = ±.1/64		
A	ANGLES		
	X' = ±1/2'		

SPECIFICATION SHEET
DIMENSIONAL DATA

SCALE:	PART NO.
1/8	1 1/4" LIFT OUT DIM