

Control Valve

Cycle Gard® I

Model C152E

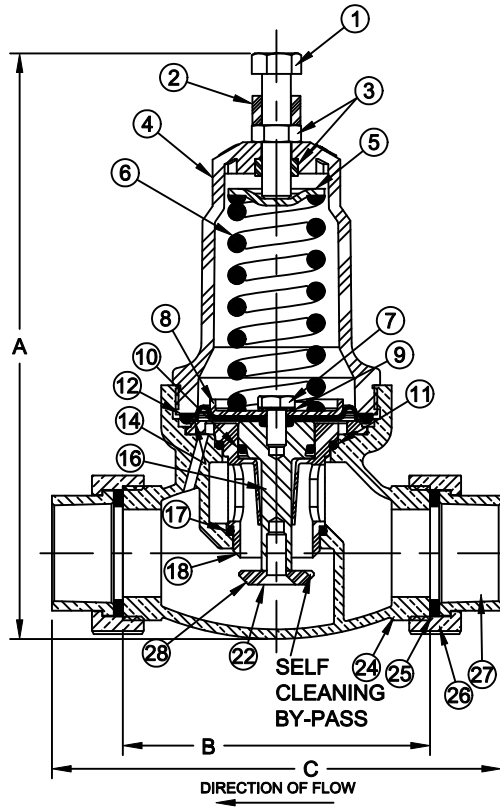


Fromatic Corporation

Sizes 1" / 25 mm
Direct Acting Pump Control



Materials



Item #	Qty	Description	Material	Item #	Qty	Description	Material
1	1	Adjusting Screw	Steel	12	1	Diaphragm	Nitrile/Nylon
2	1	Spacer	ABS	14	1	Friction Ring	Brass C36000
3	2	Jam Nut	Steel	16	1	Stem	Stainless Steel 304
4	1	Cover	Noryl	17	1	O-Ring	Buna-n
5	1	Spring Button	Steel	18	1	Cartridge	Delrin
6	1	Spring	Steel	22	1	Screw	Stainless Steel 18-8
7	1	HHCS	Stainless Steel 18-8	24	1	Body	Bronze C89833
8	1	Diaphragm Plate	Steel	25	2	Union Disc	EPDM
9	1	Tooth Lock Washer	Steel	26	2	Union Nut	Bronze C31400
10	1	O'Ring	Buna-n	27	2	Union	Bronze C31400
11	1	O'Ring	Buna-n	28	1	Disc (Slotted)	Stainless Steel 303

Part Number C152001E 15-75 psi
Part Number C152101E 15-150 psi

Max Temp: 180°F (82°C)
Max Inlet Pressure 400psi (27bar)

Dimensions

Size		Part #	A		B		C		Weight	
inch	mm		inch	mm	inch	mm	inch	mm	lbs	kg
1	25	C152001E	7-5/8	194	4	102	5-27/32	149	3.3	1.5

Fromatic Corporation can accept no responsibility for possible errors in catalogues, brochures and other printed material. Fromatic Corporation reserves the right to alter its products without notices. This also applies to product already agreed. All trademarks in this material are property of the respective companies. All right reserved. ©2011 Fromatic Corporation. The drawings & information on this drawing sheet are the sole & exclusive property of Fromatic Corporation. Any reproduction, distribution, display or use of these drawings or information in whole or in part without written authorization of Fromatic Corporation is strictly prohibited.



September 9, 2005
Dwg No: SC152001E Rev:K (7/13)

FLOMATIC CORPORATION
GLENS FALLS, N.Y. 12801
PHONE (518) 761-9797
FAX (518) 761-9798