



HYDROMATIC®

HTS50 Series Submersible High Temperature Effluent Pump

SAFETY INFORMATION

Carefully read and follow all safety instructions in this manual or on pump.

⚠ This is the safety alert symbol. When you see this symbol on your pump or in this manual, look for one of the following signal words and be alert to the potential for personal injury!

⚠ DANGER warns about hazards that **will** cause serious personal injury, death or major property damage if ignored.

⚠ WARNING warns about hazards that **can** cause serious personal injury, death or major property damage if ignored.

⚠ CAUTION warns about hazards that **will** or **can** cause minor personal injury or property damage if ignored.

The word **NOTICE** indicates special instructions which are important but not related to hazards.

NOTICE: Pump **must** be installed in a vertical position **only**. Installing pump in any other position will void warranty.

1. To avoid serious injury and/or property damage, read these rules and instructions carefully.
2. Check your local codes before installing. You must comply with their rules.
3. Vent sewage or septic tank according to local codes.
4. Do not install pump in any location classified as hazardous by National Electrical Code, ANSI/NFPA 70-1984.
5. Pump normally runs hot. To avoid burns when servicing pump, allow it to cool for 20 minutes after shut-down before handling it.
6. Do not run pump dry. Dry running can overheat pump and will void warranty.
7. Pump is permanently lubricated. No oiling or greasing is required in normal operation. For overhaul, see instructions under "Service", Page 5.

⚠ WARNING Hazardous voltage. Can shock, burn, or cause death. During operation the pump is in water. To avoid fatal shocks, proceed as follows if pump needs servicing:

- 8A. Ground pump according to all applicable codes and ordinances.
- 8B. Disconnect power to outlet box or circuit breakers before servicing.
- 8C. To reduce risk of electric shock, take care when changing fuses or resetting circuit breakers. Do not stand in water when working on control box or with circuit breakers.

Single Phase Pumps:

- 8D. When using cord and plug, plug into a grounded outlet only. When wiring to a system control, connect pump ground lead to system ground.

California Proposition 65 Warning

⚠ WARNING This product and related accessories contain chemicals known to the State of California to cause cancer, birth defects or other reproductive harm.

DESCRIPTION

These pumps are designed for effluent and waste water removal, sump drainage, liquid transfer systems, circulation, dewatering and flood control. Pump motors are 115V single phase. Comes with a 20' 3-prong grounding type cord and plug. The maximum liquid temperature for HTS50 is 200°F (93.3°C).

NOTICE: This unit is not designed for applications involving salt water or brine! Use with salt water or brine will void warranty.

PERFORMANCE

Model	GPM AT TOTAL FEET				No flow at height shown below
	10	20	30	40	
CAPACITY GALLONS/MINUTE					
HTS50A1*	65	60	50	30	48

* Flows are for 200° F water temperature.

SPECIFICATIONS

Model Number	Motor HP	Volts	Phase	Max. Load Amps	Individual Branch Circuit Required (Amps)	Discharge Adapter Size (inches)	Switch Setting in inches (mm)	
							On	Off
HTS50A1	1/2	115	1	12.0	15	2	17.8 (452)	8.8 (224)

INSTALLATION

▲ WARNING Risk of electrical shock. Can burn or kill.

Do not lift pump by power cord. See “Cord Lift Warning”.

NOTICE: Install pump on a hard, level surface (cement, asphalt, etc.). Never place pump directly on earth, clay or gravel surfaces. Basin must be at least 18” (457 mm) in diameter and 30” (762 mm) deep.

Piping:

Piping must not be smaller than pump discharge.

When installed in an **effluent** system, pipe must be capable of handling semi-solids of at least 3/4” (19 mm) diameter.

The rate of flow in the discharge pipe must keep any solids present in suspension in the fluid. To meet minimum flow requirements of 2 ft. per second (61 cm/sec) in discharge line, size pipe as follows:

A Pipe Size Of:	Will Handle a Flow Rate Of:
2” (51 mm)	21 GPM (79.5 L/M)
2-1/2” (64 mm)	30 GPM (113.5 L/M)
3” (76 mm)	48 GPM (182 L/M)

In an **effluent** system use a 1-1/2” (38 mm) min. check valve in pump discharge to prevent backflow of liquid into pump basin. The check valve should be a free flow valve that will easily pass solids. Be sure check valve installation complies with local codes.

NOTICE: For best performance of check valve when handling solids, do not install it with discharge more than 45° above the horizontal. Do not install check valve in a vertical position as solids may settle in valve and prevent opening on startup. Drill a 3/16” (5 mm) hole in discharge pipe about 1 to 2” (25-50 mm) above pump discharge connection (but below check valve) to prevent airlocking the pump.

Electrical

▲ WARNING Hazardous voltage. Can shock, burn, or cause death. When installing, operating, or servicing this pump, follow safety instructions below.

- DO NOT** splice the power cord, submerge electrical cord plug, or use extension cords.
- DO NOT** handle or service pump while it is connected to power supply.
- DO NOT** operate pump unless it is properly grounded. Power cord is a 3-wire conductor with 3-prong grounding-type plug. Do not modify cord or plug. Plug pump into a 3-wire, grounded, grounding-type receptacle only. Connect pump according to all applicable codes.

For automatic operation, plug or wire pump into the automatic float switch. For continuous operation, plug directly into an electrical outlet or wire directly into switch box. Connect pump to its own individual branch circuit with nothing else on the circuit. See Specifications Chart for fuse or circuit breaker sizes.

▲ WARNING Risk of electrical shock and fire. Be sure that power supply information (Voltage/Hertz/Phase) on pump motor nameplate matches incoming power supply exactly. Install pump according to all electrical codes that apply.

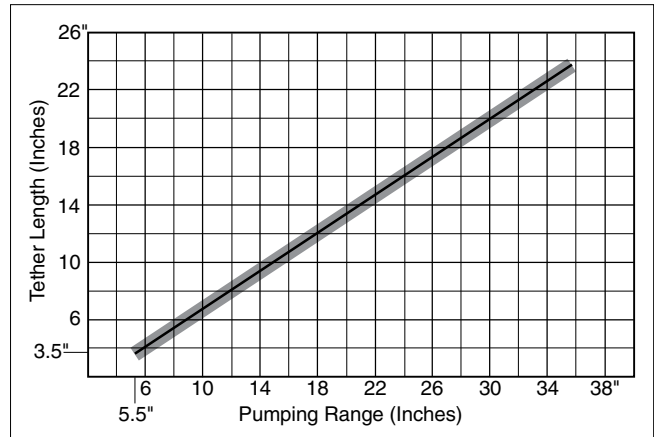
Automatic float switch is factory set with a 4” tether length. This tether length can be adjusted to accommodate a variety of pumping ranges. (See performance graph below). The installer must ensure that the switch does not become obstructed and that the range is set so the liquid level remains a minimum of 2” above pump suction at the lowest level, and below the basin inlet pipe at the highest level.

Overloads

An automatic overload protector in the motor will protect motor from burning out due to overheating/ overloading. When motor cools down, protector automatically resets.

If overload trips frequently, check for cause. It could be a stuck impeller, wrong/low voltage, or electrical failure in motor. If an electrical failure in the motor is suspected, have it serviced by a competent repairman.

SERVICE



413 0893

Performance Graph – Tether Length vs. Pumping Range

Pump is permanently lubricated. No oiling or greasing is required in normal service.

NOTICE: Do not allow pump to run in a dry sump. It will void the warranty and may damage the pump.

▲ WARNING Hazardous voltage. Can shock, burn, or cause death. Before servicing pump, disconnect electrical power to pump and control switch.

After removing basin cover and necessary discharge piping, lift pump out of basin.

▲ WARNING Risk of electrical shock. Can burn or kill.

Do not lift pump by power cord. See “Cord Lift Warning”.

Place the pump in an area where it can be cleaned thoroughly. Remove all scale and deposits on the pump.

Submerge the complete pump in a disinfectant solution (dilute chlorine bleach) for at least one hour before disassembling the pump.

The pump motor housing contains a special lubricating oil. Keep oil clean and free of water at all times.

NOTICE: Whenever motor cover is being removed for service, remove oil and replace with new oil at reassembly. Use only oil listed in parts list (Part No. U197-8A). When filling with new oil, DO NOT overfill. To allow room for expansion, oil level with cold motor should be about 1/4" (6 mm) above top of motor assembly.

Impeller and Seal Replacement

⚠ WARNING Risk of electrical shock. Disconnect electrical power before doing any service work on pump!

Refer to assembly drawing.

Disassembly

1. Unscrew hex-head cap screws, remove motor assembly from volute and set it on its side in a clean area.
2. Remove oil plug. Turn pump upside down to drain oil.
3. Hold impeller; remove impeller nut and washer.
4. Unscrew impeller (turn counter-clockwise) for cleaning.
5. Loosen cord nut and gently pull cord assembly out from motor cover. Disconnect wires from cord set (wires and connector are color coded for reassembly).
6. Unfasten socket head screws holding motor cover to seal plate and remove motor cover.
7. Remove rotating half of seal off of shaft.
8. Cradle motor assembly so that it stands vertically with motor shaft extending out of the bottom.
9. Remove through bolts from motor assembly. Remove motor and shaft from seal plate.
10. Working from back of seal plate, tap primary seal head out of seal plate; thoroughly clean seat cavity.

Re-assembly

NOTICE: Make sure that seal faces are clean and undamaged. Apply Permatex #2 or equivalent sparingly to outside edge of seal body (with spring) Figure 1.

1. Press new seal body into cavity in seal plate (Figure 1).

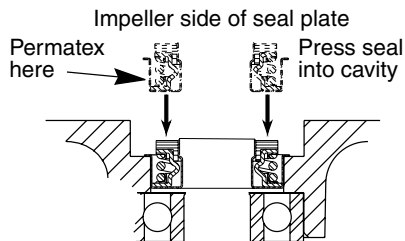


Figure 1

2. Reinstall motor and shaft to seal plate using the four through bolts removed in step 10 under "Disassembly".
NOTICE: Do not overtighten through bolts!
3. Slide new rotating half of seal onto shaft (Figure 2).
NOTICE: Do not nick or scratch the silicon carbide seal face when passing it over shaft shoulder. Seal faces must be clean and undamaged or seal may leak.

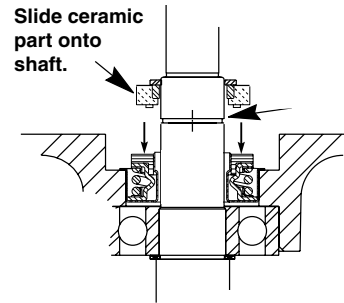
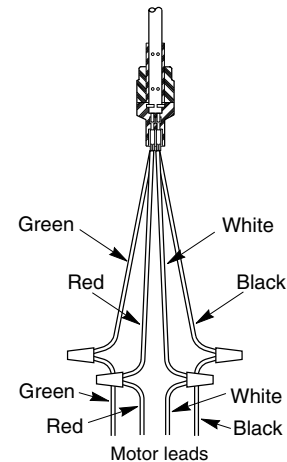


Figure 2

4. Reassemble impeller, washer, and impeller nut.
5. Inspect O-Ring carefully; replace if damaged. If it is not nicked or scratched, clean and reinstall.
NOTICE: It is good practice to replace O-Ring each time pump is serviced.
6. Reconnect motor wires to connector. Reference color code markings.
7. Fill motor with clean dielectric oil (Part No. U197-8A). To allow room for expansion, oil level with cold motor should be about 1/4" (6 mm) above top of motor assembly.

Cord Connections

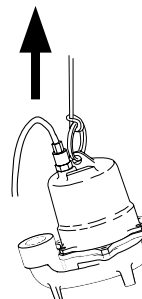


⚠ WARNING



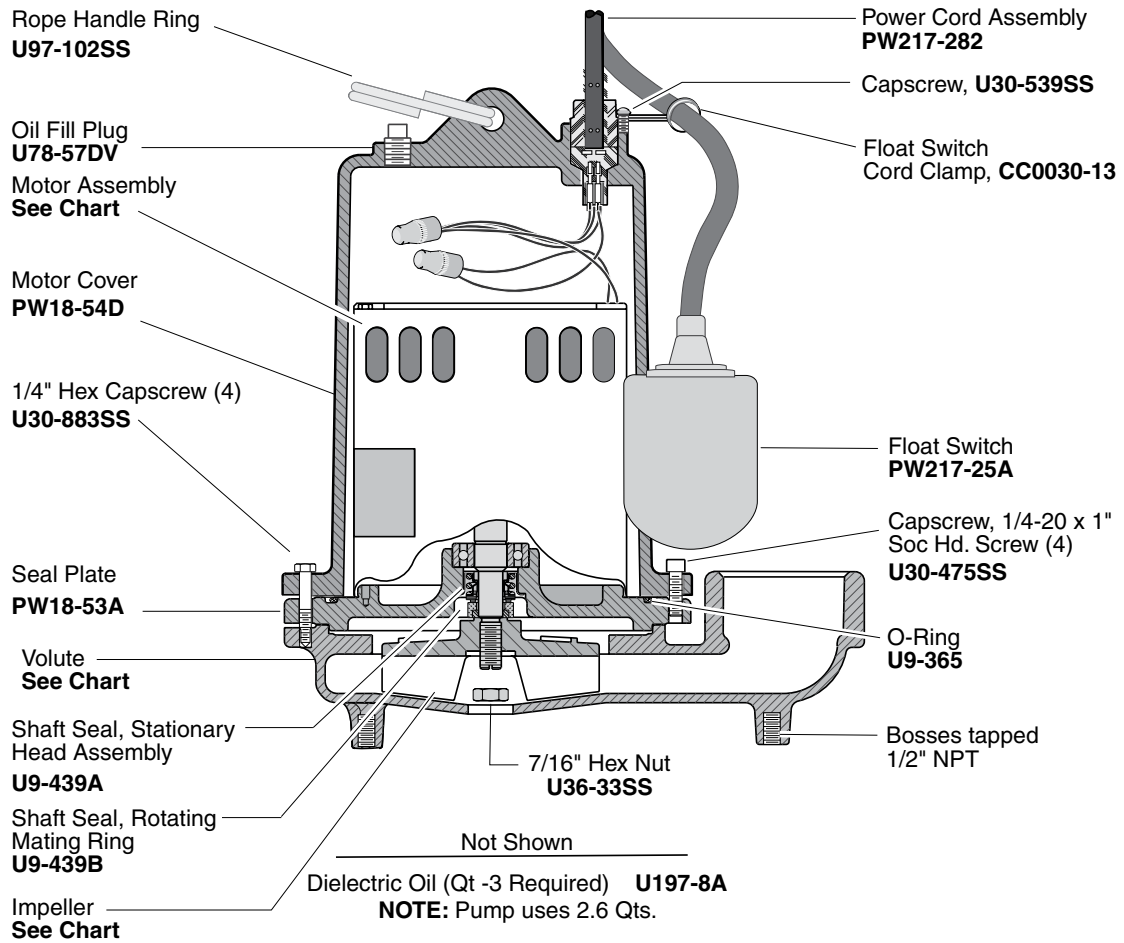
Risk of electrical shock.
Can burn or kill.
Do not lift pump by power cord.

CORD LIFT WARNING



1. Attempting to lift or support pump by power cord can damage cord and cord connections.
2. Cord may pull apart, exposing bare wires with possibility of fire or electrical shock.
3. Lifting or supporting pump by power cord will void warranty.
4. Use lifting ring or handle on top of pump for all lifting/lowering of pump. Disconnect power to pump before doing any work on pump or attempting to remove pump from sump.

REPAIR PARTS – HTS50A1



TROUBLESHOOTING

▲ WARNING Sudden Starts. If power is on to pump when thermal overload resets, pump may start without warning. If you are working on pump, you may get an

electrical shock or impeller may catch fingers or tools. Disconnect power before servicing pump.

A. Pump fails to operate:	<ol style="list-style-type: none">1. Check to be sure that power cord is securely plugged into outlet or securely wired into controller or switch box. Disconnect power to outlet before handling pump or motor.2. Check to be sure you have electrical power.3. Check that liquid fluid level is high enough to activate switch or controller.4. Check to be sure that 5 mm (3/16") vent hole in discharge pipe is not plugged.5. Check for blockage in pump inlet, impeller, check valve or discharge pipe.6. Thermal overload may have tripped. Test start pump; if it starts and then stops immediately, disconnect from power source for 30 minutes to allow motor to cool, then reconnect to power source. Check for cause of overheating/overloading.7. If pump is completely inoperative or continues to malfunction, consult your local serviceman.
B. Pump fails to empty sump:	<ol style="list-style-type: none">1. Be sure all valves in discharge piping are fully open.2. Clean out discharge pipe and check valve.3. Check for blockage in pump inlet or impeller.4. Pump not sized properly. A higher capacity pump may be required.
C. Pump will not shut off:	<ol style="list-style-type: none">1. Check switch for proper operation and location. See installation instructions for switch/controller.

Limited Warranty

HYDROMATIC warrants to the original consumer purchaser ("Purchaser" or "You") of HYDROMATIC Sump Pumps, Effluent Pumps, Sewage Pumps (other than 2-1/2"), and Package Systems, that they will be free from defects in material and workmanship for the Warranty Period of 36 months from date of manufacture.

Our warranty will not apply to any product that, in our sole judgement, has been subject to negligence, misapplication, improper installation, or improper maintenance. Without limiting the foregoing, operating a three phase motor with single phase power through a phase converter will void the warranty. Note also that three phase motors must be protected by three-leg, ambient compensated, extra-quick trip overload relays of the recommended size or the warranty is void.

Your only remedy, and HYDROMATIC's only duty, is that HYDROMATIC repair or replace defective products (at HYDROMATIC's choice). You must pay all labor and shipping charges associated with this warranty and must request warranty service through the installing dealer as soon as a problem is discovered. No request for service will be accepted if received after the Warranty Period has expired. This warranty is not transferable.

EXCEPTIONS: Hydromatic Special Application Pumps, Battery Back-Up Sump Pumps, Filtered Effluent Pumps, Grinder Pumps, and 2-1/2" Sewage Pumps are warranted for a period of 12 months from date of purchase or 18 months from date of manufacture, whichever comes first.

HYDROMATIC SHALL NOT BE LIABLE FOR ANY CONSEQUENTIAL, INCIDENTAL, OR CONTINGENT DAMAGES WHATSOEVER.

THE FOREGOING LIMITED WARRANTIES ARE EXCLUSIVE AND IN LIEU OF ALL OTHER EXPRESS AND IMPLIED WARRANTIES, INCLUDING BUT NOT LIMITED TO IMPLIED WARRANTIES OF MERCHANTABILITY AND FITNESS FOR A PARTICULAR PURPOSE. THE FOREGOING LIMITED WARRANTIES SHALL NOT EXTEND BEYOND THE DURATION PROVIDED HEREIN.

Some states do not allow the exclusion or limitation of incidental or consequential damages or limitations on the duration of an implied warranty, so the above limitations or exclusions may not apply to You. This warranty gives You specific legal rights and You may also have other rights which vary from state to state.

This Limited Warranty is effective June 1, 2011 and replaces all undated warranties and warranties dated before June 1, 2011.

HYDROMATIC

293 Wright Street, Delavan, WI 53115

Phone: 888-957-8677 • Fax: 800-426-9446 • Web Site: hydromatic.com

HYDROMATIC®

Serie HTS50 Pompes en fonte pour eaux résiduaires

Consignes de sécurité

Lire attentivement et observer toutes les consignes de sécurité figurant dans cette Notice ou sur la pompe.

⚠ Ce symbole indique qu'il faut être prudent. Lorsque ce symbole apparaît sur la pompe ou dans cette Notice, rechercher une des mises en garde qui suivent, car elles indiquent un potentiel possible de blessures corporelles.

⚠ DANGER avertit d'un danger qui causera des blessures corporelles, la mort ou des dommages matériels importants si on l'ignore.

⚠ AVERTISSEMENT avertit d'un danger qui risque de causer des blessures corporelles, la mort ou des dommages matériels importants si on l'ignore.

⚠ ATTENTION avertit d'un danger qui causera ou qui risquera de causer des blessures corporelles, la mort ou des dommages matériels importants si on l'ignore.

Le mot **REMARQUE** indique des instructions spéciales et importantes n'ayant aucun rapport avec les dangers.

REMARQUE : La pompe doit être installée à la verticale **seulement**. L'installer dans toute autre position annulera la garantie.

1. Pour éviter toutes blessures et/ou causer des dommages matériels graves, lire attentivement les consignes de sécurité et les instructions.
2. Avant de procéder à l'installation, se reporter aux codes de la municipalité et s'y conformer.
3. Aérer l'égout ou la fosse septique conformément à ces codes.
4. Ne pas installer cette pompe dans un lieu comme étant classé dangereux par le Code canadien de l'électricité, le National Electric Code, ANSI/NFPA 70-1984.
5. Pour ne pas se brûler si on doit intervenir sur la pompe, la laisser refroidir pendant 20 minutes après qu'elle s'est arrêtée et avant de la manipuler.
6. Ne pas faire fonctionner la pompe à sec, sinon elle surchauffera et la garantie sera annulée.
7. La pompe est lubrifiée en permanence. En utilisation normale, il n'est pas nécessaire de la huiler ni de la graisser. Pour la réviser, se reporter à « Instructions » sous « Entretien », page 3.

⚠ AVERTISSEMENT Tension dangereuse pouvant causer des secousses électriques, des brûlures, voire la mort. Pendant qu'elle fonctionne, la pompe est immergée dans l'eau. Si on doit intervenir sur la pompe, et pour ne pas être électrocuté, procéder comme suit :

- 8A. Mettre la pompe à la terre conformément à tous les codes et décrets en vigueur.
- 8B. Avant d'intervenir sur la pompe, couper le courant qui alimente sa prise de courant ou fermer les disjoncteurs.
- 8C. Pour réduire les risques de secousses électriques, il faut être très prudent lorsque l'on remplace un fusible ou réenclenche les disjoncteurs. Pour intervenir sur la boîte de commande ou les disjoncteurs, ne pas se tenir dans l'eau.

Avertissement lié à la Proposition 65 de la Californie

⚠ AVERTISSEMENT Ce produit et les accessoires connexes contiennent des produits chimiques reconnus dans l'État de la Californie comme pouvant provoquer des cancers, des anomalies congénitales ou d'autres dangers relatifs à la reproduction.

Pompes à moteur monophasé :

- 8D. Si on utilise un cordon électrique à fiche, ne brancher cette fiche que dans une boîte de courant adéquatement mise à la terre. Si on branche la pompe sur une commande du système, brancher le fil de mise à la terre de la pompe sur la terre du système.

Description

Ces pompes sont prévues pour évacuer les eaux d'égout, les eaux résiduaires et résiduelles, vider les puisards, transférer et faire circuler des liquides, le pompage en général et la lutte contre les inondations. Le moteur de ces pompes peut être monophasé pour fonctionner sur le courant de 115 volts sont livrés avec un cordon à fiche de 6,10 mètres (20 pieds) à 3 conducteurs, dont un de mise à la terre.

Pour les modèles HTS50, elle doit être de 93,3 °C (200 °F).

REMARQUE : Ces pompes ne sont pas conçues pour pomper de l'eau salée ni de la saumure. Cette pratique annulera la garantie.

Débit

Litres par minute à la hauteur totale en metres					Aucun débit à la hauteur indiquée ci-dessous
Modèle	3	6	9	12	
Débits litres/minute					
HTS50A1*	246	227	189	114	14,6 m

*Les débits indiqués sont pour une température de 93,3°C (200 °F).

Caractéristiques

Numéro de modèle	Puissance (en cheval) de moteur	Tension (en volts)	Phase	Charge maximale en ampères	Circuit séparé requis (ampères)	Diamètre de l'adaptateur de refoulement (en pouces)	Réglages du pressostat en pouces (en mm)	
							Marche	Arrêt
HTS50A1	1/2	115	1	12,0	15	2	17,8 (452)	8,8 (224)

Instalación

⚠ AVERTISSEMENT **Risque de secousses électriques pouvant causer des brûlures, voire la mort.** Ne pas lever la pompe par son cordon électrique. Se reporter à « Avertissement concernant le levage par le cordon électrique ».

REMARQUE : Installer la pompe sur une surface dure et de niveau (ciment, asphalte, etc.). Ne jamais la faire reposer directement sur une surface en terre, en glaise ou en gravier. Le diamètre du puisard doit être d'au moins 457 mm (18 pouces) et sa profondeur d'au 762 mm (30 pouces).

Tuyauterie :

Le diamètre de la tuyauterie ne doit pas être plus petit que celui du refoulement de la pompe.

Si cette pompe est installée sur un réseau **d'eaux résiduaires**, le diamètre des tuyaux doit laisser passer des matières semi-solides ayant au moins 19 mm (3/4 de pouce).

Le débit dans le tuyau de refoulement doit garder toutes les matières solides présentes en suspension dans le liquide. Pour satisfaire les conditions du débit minimal qui est de 61 cm/s (2 pi/s), le diamètre du tuyau de refoulement doit correspondre aux suivants :

Un tuyau d'un diamètre de :	Permettre un débit de :
51 mm (2 pouces)	79,5 l/m (21 gal/min)
64 mm (2-1/2 pouces)	113,5 l/m (30 gal/min)
76 mm (3 pouces)	182 l/m (48 gal/min)

Dans le cas d'un réseau **d'eaux résiduaires**, poser un clapet antiretour d'au moins 38 mm (1 1/2 pouce) sur le tuyau de refoulement pour empêcher le liquide de retourner dans le puisard. Le battant du clapet doit être à débit libre pour permettre aux matières solides de le traverser facilement. S'assurer que l'installation du clapet antiretour est conforme à tous les codes de la municipalité.

REMARQUE : Pour obtenir le meilleur fonctionnement possible du clapet antiretour lors du pompage de matières solides, ne pas l'installer en orientant vers le haut son refoulement à plus de 45° par rapport à l'horizontale. Ne pas l'installer à la verticale, sinon les matières solides se déposeront sur son battant et l'empêcheront de s'ouvrir au démarrage de la pompe.

Percer un trou de 5 mm (3/16 de pouce) dans le tuyau de refoulement, entre 25 et 50 mm (1 et 2 pouces) au dessus du branchement du refoulement sur la pompe (mais sous le clapet antiretour) pour empêcher la formation de bouchons d'air dans la pompe.

Électricité

⚠ AVERTISSEMENT **Tension dangereuse pouvant causer des secousses électriques, des brûlures, voire la mort.** Pour installer, faire fonctionner ou intervenir sur cette pompe, observer les consignes de sécurité qui suivent.

- NE PAS** épisser ni immerger sa fiche et ne pas utiliser de cordon prolongateur.
- NE PAS** intervenir sur la pompe ni la manipuler pendant qu'elle est branchée sur le courant électrique.
- NE PAS** la faire fonctionner si elle n'est pas adéquatement mise à la terre. Les pompes sont livrées avec un cordon électrique à fiche à 3 broches et 3 conducteurs dont un de mise à la terre. Ne pas modifier le cordon ni la fiche. Ne brancher la pompe que dans une prise de courant à 3 trous adéquatement mise à la terre. La brancher conformément à tous les codes en vigueur.

Pour le fonctionnement en automatique, brancher ou câbler la pompe dans un interrupteur à flotteur automatique ou un contrôleur. Pour le fonctionnement continu, brancher la pompe directement dans la prise de courant ou bien la câbler directement dans la boîte de l'interrupteur. Brancher la pompe sur un circuit séparé sur lequel aucun autre appareil ne sera branché. Se reporter au tableau « Caractéristiques », pour connaître le calibre des fusibles et des disjoncteurs.

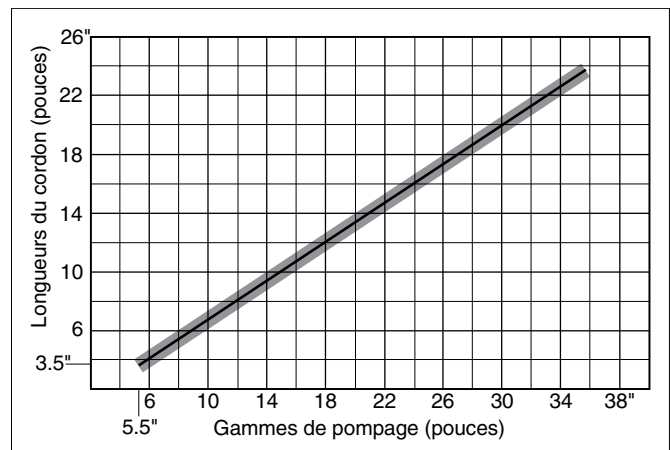
⚠ AVERTISSEMENT **Risque de secousses électriques et d'incendie. S'assurer que les renseignements du courant d'arrivée (Tension/Hertz/Phase(s)) indiqués sur la plaque signalétique du moteur de la pompe correspondent exactement au courant d'arrivée. Installer la pompe conformément à tous les codes de l'électricité en vigueur.**

La longueur du cordon de l'interrupteur à flotteur automatique a été réglée à l'usine à 10 cm (4 pouces). Cette longueur peut être modifiée pour répondre aux différentes gammes de pompage. (Se reporter à « Graphique des rendements »). L'installateur doit s'assurer que l'interrupteur ne sera pas gêné et qu'il est réglé de façon que le niveau du liquide arrive toujours à au moins 5 cm (2 pouces) au dessus de l'aspiration de la pompe au plus bas niveau et sous le tuyau d'arrivée dans le puisard au plus haut niveau.

Surcharges

Un protecteur contre les surcharges à fonctionnement automatique logé dans le moteur l'empêchera de brûler en cas de surchauffe/surcharge. Dès que le moteur refroidira, le protecteur se réenclenchera automatiquement.

Si la surcharge se déclenche fréquemment, en déterminer la cause. Cet incident peut être causé par un impulseur grippé, une tension mauvaise/basse ou une défectuosité électrique du moteur. Si on pense que le moteur est défectueux, le faire réparer par un technicien compétent.



Graphique des rendements – Longueurs du cordon par rapport aux gammes de pompage

Entretien

La pompe est lubrifiée en permanence. En utilisation normale, il n'est pas nécessaire de la huiler ni de la graisser.

REMARQUE : Ne pas laisser fonctionner la pompe à sec, sinon la garantie sera annulée et la pompe sera endommagée.

⚠ AVERTISSEMENT **Tension dangereuse pouvant causer des secousses électriques, des brûlures voire la mort.** Avant d'intervenir sur la pompe, couper le courant qui alimente la pompe et l'interrupteur de commande.

Après avoir enlevé le couvercle du puisard et débrancher la tuyauterie de refoulement nécessaire, sortir la pompe du puisard.

⚠ AVERTISSEMENT **Risque de secousses électriques pouvant causer des brûlures, voire la mort.** Ne pas lever la pompe par son cordon électrique. Se reporter à « Avertissement concernant le levage par le cordon électrique ».

Mettre la pompe dans un endroit où elle pourra être complètement nettoyée. Enlever tout le tartre et tous les dépôts de la pompe.

Immerger la pompe dans un désinfectant (chlore) pendant au moins une heure avant de la démonter.

Le carter du moteur de la pompe contient une huile lubrifiante spéciale. La garder propre et ne jamais la contaminer avec de l'eau.

REMARQUE : Si on doit déposer le couvercle du moteur pour intervenir sur la pompe, vider l'huile et la remplacer par une huile neuve lors du remontage. Utiliser l'huile indiquée dans la liste des pièces (pièce numéro U197-8A). Au remontage, faire le plein avec de l'huile neuve. NE PAS trop remplir. Laisser de la place pour la dilatation. L'huile doit arriver à environ 6 mm (1/4 de pouce) au-dessus du moteur lorsqu'il est froid.

Remplacement de l'impulseur

⚠ AVERTISSEMENT Risque de secousses électriques. Avant toute intervention sur la pompe, couper le courant qui l'alimente!

Se reporter au schéma de montage.

Démontage

1. Dévisser les vis à tête hexagonale, puis séparer le moteur de la veloute. Le poser sur son côté dans un endroit propre.
2. Déposer le bouchon d'huile. Tourner la pompe à l'envers pour vider l'huile.
3. Immobiliser l'impulseur. Déposer son écrou et sa rondelle.
4. Dévisser l'impulseur (en le tournant à gauche) pour le nettoyer.
5. Desserrer l'écrou du cordon, puis tirer prudemment dessus pour le sortir du couvercle du moteur. Débrancher les fils du cordon (les fils et les connecteurs sont codés par couleur pour faciliter le remontage).
6. Déposer les vis à tête creuse de fixation du couvercle du moteur sur la plaque d'étanchéité. Déposer le couvercle du moteur.
7. Déposer la moitié rotative du joint de l'arbre.
8. Poser le moteur sur un support arqué en orientant son arbre à la verticale vers le bas.
9. Déposer les boulons de fixation du moteur. Séparer le moteur et l'arbre de la plaque d'étanchéité.
10. Par derrière la plaque d'étanchéité, chasser la tête du joint primaire. Bien nettoyer la cavité du siège.

Remontage

REMARQUE : S'assurer que les surfaces du joint sont propres et pas endommagées. Sur le bord extérieur du corps du joint (avec le ressort), appliquer un peu de Permatex n° 2 ou de produit équivalent (Figure 1).

1. Pousser le corps du joint neuf dans la cavité de la plaque d'étanchéité (Figure 1).

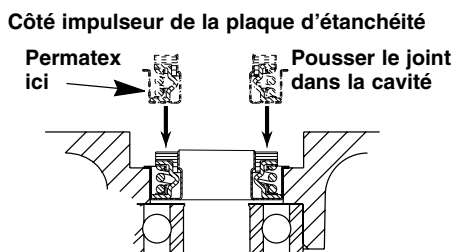


Figure 1

2. Remonter le moteur et l'arbre sur la plaque d'étanchéité en utilisant les 4 boulons déposés lors de l'opération 9. « Démontage ».

REMARQUE : Ne pas serrer exagérément les boulons !

3. Glisser la moitié rotative du joint sur l'arbre (Figure 2).

REMARQUE : Ne pas rayer ni entailler la surface du joint en carbure de silicone lorsqu'on le fera passer par-dessus l'épaulement de l'arbre. Les surfaces du joint doivent être propres et non endommagées, sinon le joint fuira.

Glisser la partie
céramique sur l'arbre

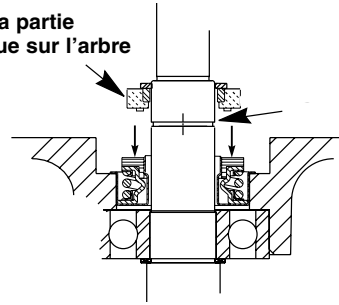


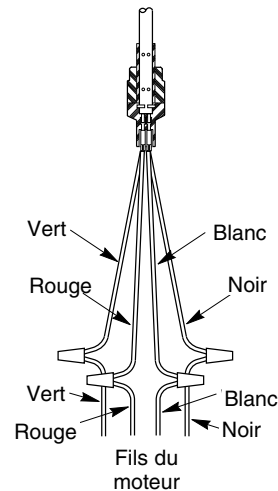
Figure 2

4. Remonter l'impulseur, la rondelle et l'écrou.
5. Inspecter attentivement le joint torique. Le remplacer s'il est endommagé. S'il n'est pas entaillé ou rayé, le nettoyer et le reposer.

REMARQUE : Il est préférable de remplacer le joint torique chaque fois que la pompe est démontée.

6. Rebrancher les fils du cordon électrique sur le connecteur. Se reporter aux codes de couleur.
7. Remplir le moteur d'huile diélectrique propre (numéro de pièce U197-8A). Laisser de la place pour la dilatation. L'huile doit arriver à environ 6 mm (1/4 de pouce) au-dessus du moteur lorsqu'il est froid.

Branchements des fils du moteur

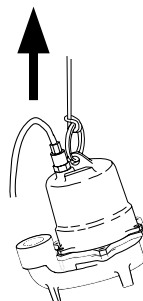


⚠ AVERTISSEMENT



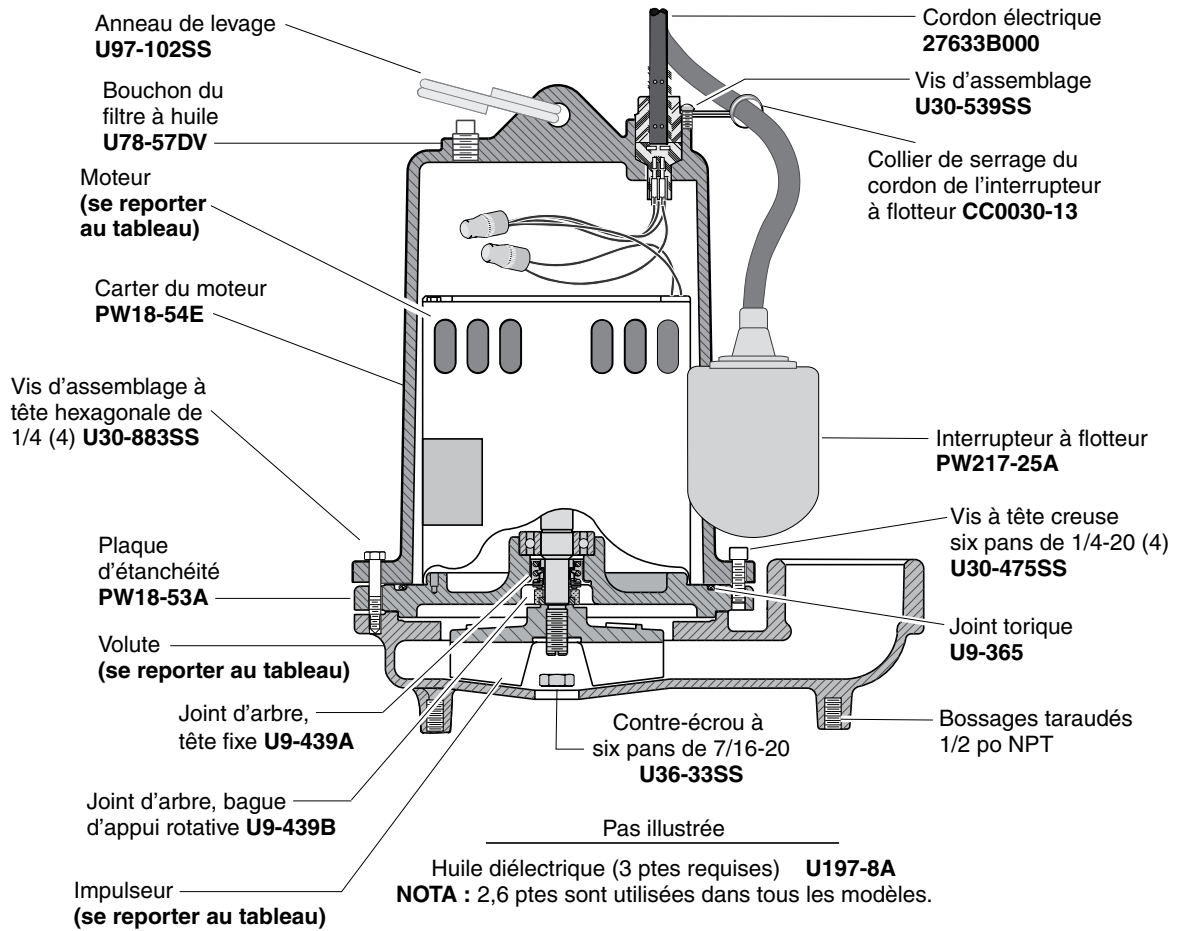
Risque de secousses électriques pouvant causer des brûlures, voire la mort. Ne pas lever la pompe par son cordon électrique.

Avertissement concernant le levage par le cordon électrique



1. Le cordon électrique et ses connexions seront endommagés si on essaie de lever ou de supporter la pompe par son cordon électrique.
2. Le cordon électrique peut se détacher, exposer les fils nus et causer un incendie, voire des secousses électriques.
3. La garantie sera annulée si on soulève ou supporte la pompe par son cordon électrique.
4. Toujours utiliser l'anneau de levage ou la poignée de la pompe pour la lever ou l'abaisser. Avant d'intervenir sur la pompe ou la sortir du puisard, couper le courant qui l'alimente.

Pièces de rechange – HTS50A1



Recherche des pannes

▲ AVERTISSEMENT Démarrages inopinés. Si le courant parvient à la pompe lorsque le protecteur contre les surcharges se réenclenche, la pompe peut démarrer sans avertissement. Si, à ce

moment-là on intervient sur la pompe, on risque de subir une secousse électrique ou bien de se faire coincer les doigts par l'impulseur ou les outils. Avant d'intervenir sur la pompe, couper le courant qui l'alimente.

INCIDENTS	Remèdes
La pompe ne fonctionne pas :	<ol style="list-style-type: none">1. S'assurer que le cordon électrique est fermement branché dans la prise de courant ou adéquatement branché sur le contrôleur ou la boîte de l'interrupteur. Avant de manipuler la pompe ou le moteur, couper le courant qui alimente la prise de courant.2. S'assurer que le courant électrique parvient à la pompe.3. S'assurer que le niveau du liquide est suffisamment haut pour actionner l'interrupteur ou le contrôleur.4. S'assurer que le trou de mise à l'air libre de 5 mm (3/16 de pouce) percé dans le tuyau de refoulement n'est pas bouché.5. S'assurer que l'admission de la pompe, l'impulseur, le clapet antiretour ou le tuyau de refoulement ne sont pas bouchés.6. Le protecteur contre les surcharges thermiques s'est peut être déclenché. Contrôler le démarrage de la pompe. Si elle démarre et s'arrête immédiatement, la débrancher pendant 30 minutes pour laisser son moteur refroidir, puis la rebrancher. Déterminer la cause de la surchauffe/surcharge.7. Si la pompe ne fonctionne pas du tout ou qu'elle continue de mal fonctionner, s'adresser à un réparateur local.
La pompe ne vide pas le puisard :	<ol style="list-style-type: none">1. S'assurer que les robinets du tuyau de refoulement sont complètement ouverts.2. Nettoyer le tuyau de refoulement et le clapet antiretour.3. S'assurer que l'admission de la pompe et/ou l'impulseur ne sont pas bouchés.4. La pompe n'est pas assez puissante. Une de plus grande puissance est peut-être requise.
La pompe ne se s'arrête pas :	<ol style="list-style-type: none">1. S'assurer que l'interrupteur ou que les flotteurs automatiques du contrôleur fonctionnent adéquatement et de leur bon emplacement. Se reporter aux instructions d'installation de l'interrupteur/contrôleur.

Garantie limitée

HYDROMATIC garantit à l'acheteur/au consommateur d'origine (l'Acheteur) des pompes de puisard, pompes d'effluents, pompes d'eaux d'égout (à l'exception de la pompe de 2-1/2 po), et les systèmes ensembles HYDROMATIC, que celles-ci seront exemptes de tout vice de matériau et de fabrication pendant la période de garantie de 36 mois suivant la date de fabrication.

Nos garanties ne s'appliquent pas aux produits ayant fait l'objet de négligence, d'une mauvaise utilisation, d'une mauvaise installation ou d'un manque d'entretien adéquat. Sans aucune limitation des présentes, la garantie des moteurs triphasés submersibles sera nulle et non avenue si ces moteurs sont branchés et fonctionnent sur le courant monophasé par l'intermédiaire d'un déphaseur. Il faut également noter que les moteurs triphasés doivent être protégés par un relais de surcharge tripolaire thermocompensé à déclenchement extrêmement rapide du calibre recommandé, sinon la garantie sera nulle et non avenue.

Le seul recours de l'Acheteur et la seule responsabilité de HYDROMATIC consistent à réparer ou à remplacer (au choix de HYDROMATIC) les produits qui se révéleraient défectueux. L'Acheteur s'engage à payer tous les frais de main d'œuvre et d'expédition du produit couvert par sa garantie et de s'adresser au concessionnaire-installateur ayant procédé à l'installation dès qu'un problème est découvert pour obtenir un service sous garantie. Aucune demande de service en vertu de sa garantie ne sera acceptée après expiration de la durée de sa garantie. Ces garanties ne sont pas transférables.

EXCEPTIONS : Les pompes pour applications spéciales, les pompes de puisard de secours à batterie, les pompes d'effluents à filtre, les pompes broyeuses, et les pompes d'eaux d'égout de 2-1/2 po Hydromatic sont garanties pendant une période de 12 mois suivant la date d'achat, ou une période de 18 mois suivant la date de fabrication, selon la première occurrence.

HYDROMATIC DÉCLINE TOUTE RESPONSABILITÉ POUR TOUT DOMMAGE INDIRECT OU FORTUIT QUEL QU'IL SOIT.

LA GARANTIE LIMITÉE SUSMENTIONNÉE EST EXCLUSIVE ET REMPLACE TOUTES LES AUTRES GARANTIES EXPRESSES ET TACITES, Y COMPRIS, MAIS SANS S'Y LIMITER, LES GARANTIES DE QUALITÉ MARCHANDE ET D'ADAPTATION À UN USAGE PARTICULIER. LA GARANTIE LIMITÉE SUSMENTIONNÉE NE DOIT PAS ÊTRE PROLONGÉE AU-DELÀ DE LA DURÉE PRÉVUE AUX PRÉSENTES.

Certains états, territoires et certaines provinces ne permettent pas l'exclusion ou la limitation des dommages indirects ou fortuits, ni les limitations relatives à la durée des garanties tacites. Par conséquent, il se peut que les limitations ou les exclusions stipulées dans les présentes ne s'appliquent pas dans ce cas. Ces garanties accordent des droits juridiques précis, bien que l'on puisse bénéficier d'autres droits, selon la province, le territoire ou l'état dans lequel on réside.

La présente garantie limitée est entrée en vigueur le 1er juin 2011 et remplace toute garantie non datée ou antérieure à cette date.

HYDROMATIC

293 Wright Street, Delavan, WI 53115

Tél. : 888-957-8677 • Téléc. : 800-426-9446 • Site Web : hydromatic.com

Información sobre la seguridad

¡Es importante que lea y observe todas las instrucciones de seguridad en este manual o en la bomba!

⚠ Este es un símbolo de alerta sobre la seguridad. Cuando vea este símbolo en su bomba o en este manual, busque para ver si hay alguna de las siguientes palabras de señal y esté alerta sobre la posibilidad de lesiones personales.

⚠ PELIGRO Advierte sobre peligros que ocasionarán lesiones personales graves, muerte o daños considerables a la propiedad si se les ignora.

⚠ ADVERTENCIA Advierte sobre peligros que pueden ocasionar lesiones personales graves, muerte o daños considerables a la propiedad si se ignoran.

⚠ PRECAUCIÓN Advierte sobre peligros que ocasionarán o pueden ocasionar lesiones personales o daños a la propiedad menores si se ignoran.

La palabra **AVISO** indica instrucciones especiales que son importantes pero que no están relacionadas con los peligros.

AVISO: La bomba debe instalarse en posición vertical solamente. La instalación de la bomba en cualquier otra posición, invalidará la garantía.

- Es importante que lea cuidadosamente estas reglas e instrucciones para evitar lesiones graves y/o daños materiales.
- Verifique sus códigos locales antes de la instalación. Deberá cumplir con sus reglas.
- Ventile el tanque cloacal o séptico según los códigos locales.
- No instale la bomba en ningún lugar clasificado como peligroso por el Código Eléctrico Nacional ANSI/NFPA 70-1984.
- La bomba está caliente al tacto durante la operación. Para evitar quemaduras durante las operaciones de reparación y mantenimiento, deje que se enfríe durante 20 minutos después de haberla apagado y antes de manipularla.
- No haga marchar la bomba en seco. La marcha en seco puede hacer que la bomba se recaliente e invalidará la garantía.
- La bomba viene con lubricación permanente. No se necesita aceitar ni engrasar durante una operación normal. Para ponerla a punto, consulte las incrustaciones en la sección de "Servicio" que aparece en la página 5.

Especificaciones

Modelo No.	Motor CV	Voltios	Fase	Carga máx. – amperios	Requiere un ramal individual (amperios)	Tamaño del adaptador de descarga (pulgadas)	Graduación del conmutador en pulgadas (mm)	
							Activado	Desactivado
HTS50A1	1/2	115	1	12,0	15	2	17,8 (452)	8,8 (224)

⚠ ADVERTENCIA Tensión peligrosa. Puede causar choque, quemaduras o muerte. La bomba se encuentra en agua durante la operación. Para evitar choques fatales, continúe de la siguiente manera, si la bomba necesita reparaciones:

- Conecte la bomba a tierra conforme a todos los códigos y reglamentos correspondientes.
- Desconecte la corriente a la caja de toma de corriente o a los disyuntores antes de realizar reparaciones.
- Para reducir el riesgo de choques eléctricos, tenga cuidado cuando cambie los fusibles o reposicione los disyuntores. No se pare en el agua cuando trabaje con la caja de control o con los disyuntores.

Advertencia de la Proposición 65 de California

⚠ ADVERTENCIA Este producto y accesorios relacionados contienen sustancias químicas reconocidas en el Estado de California como causantes de cáncer, malformaciones congénitas y otros daños al sistema reproductivo.

Bombas monofásicas:

- Cuando use un cordón y enchufe, solamente enchufe la bomba a una toma de corriente con conexión a tierra. Cuando haga el cableado a un dispositivo de control de sistemas, conecte el conector a tierra de la bomba a la puesta a tierra del sistema.

Descripción

Estas bombas han sido diseñadas para la remoción de aguas efluente y aguas residuales, para drenar sumideros, para sistemas de transferencia de líquidos, circulación, achique/escorrentamiento y control de inundaciones. Los motores de la bomba son monofásicos de 115 voltios. Viene con un cordón de 20 pies de largo y un enchufe de 3 clavijas, con conexión a tierra.

La temperatura máxima del líquido para el modelo HTS50 es de 200° F (93,3° C).

AVISO: Esta unidad no ha sido diseñada para uso con agua salada o salubre. El uso con agua salada o salubre anulará la garantía.

Rendimiento

Modelo	L/M a altura total en metros				No hay flujo a las alturas que se indican a continuación
	3	6	9	12	
Capacidad litros/minuto					
HTS50A1*	246	227	189	114	14,6

* Los flujos son para agua con una temperatura de 200° F (93,3° C).

Instalación

⚠ ADVERTENCIA **Riesgo de choque eléctrico. Puede causar quemaduras o muerte.** No levante la bomba por medio del cordón de corriente. Consulte el cuadro de "Advertencia sobre la utilización del cordón para levantar".

AVISO: Instale la bomba sobre una superficie dura, nivelada (cemento, asfalto, etc.). Nunca coloque la bomba directamente sobre superficies de tierra, arcilla o arenilla. La esclusa debe ser por lo menos de 18" (457 mm) de diámetro y 30" (762 mm) de profundidad.

Tubería

La tubería no debe ser más pequeña que la descarga de la bomba.

Cuando se instale en un sistema de **efluente**, la tubería deberá ser capaz de manipular partículas semi-sólidas de un mínimo de 3/4" (19 mm) de diámetro.

La velocidad de gasto en la tubería de descarga deberá mantener toda partícula sólida presente en suspensión dentro del líquido. Para cumplir con el mínimo de requisitos de flujo de 2 pies por segundo (61 cm/segundo) en la línea de descarga, las tuberías deberán ser de los tamaños siguientes:

Una tubería de:	Manipulará una velocidad de gasto:
2" (51 mm)	21 GPM (79,5 L/M)
2-1/2" (64 mm)	30 GPM (113,5 L/M)
3" (76 mm)	48 GPM (182 L/M)

En un sistema de **efluente**, use una válvula de retención de 1-1/2" (38 mm) en la descarga de la bomba para evitar retroflujo de líquido a la esclusa del sumidero. La válvula de retención deberá ser una válvula de flujo libre que pueda pasar partículas sólidas con facilidad. Asegúrese de que la instalación de la válvula de retención cumpla con los códigos locales.

AVISO: Para un mejor rendimiento de la válvula de retención en el manejo de partículas sólidas, no la instale con la descarga en un ángulo mayor de 45° sobre el nivel horizontal. No instale la válvula de retención en una posición vertical, ya que eso puede hacer que las partículas sólidas se asienten en la válvula y eviten que se abra durante el arranque.

Perfore un orificio de 3/16" (5 mm) en la tubería de descarga, a unos 1-2" (25 - 50 mm) por encima de la conexión de descarga de la bomba (pero debajo de válvula de retención), para evitar la creación de bolsas de aire en la bomba.

Sistema eléctrico

⚠ ADVERTENCIA **Tensión peligrosa. Puede causar choque, quemaduras o muerte.** Cuando instale, opere o repare esta bomba, observe las instrucciones de seguridad indicadas a continuación.

- NO** empalme el cordón de corriente eléctrica, no sumerja el cordón eléctrico ni el enchufe, ni use cordones de alargue.
- NO** manipulee ni repare la bomba mientras esté conectada al suministro de energía.
- NO** opere la bomba a menos que esté debidamente conectada a tierra. El cordón es un conductor trifilar con un enchufe de tres puntas con puesta a tierra. No modifique el cordón ni el enchufe. Solamente enchufe la bomba en una toma de corriente trifilar conexión a tierra, debidamente puesta a tierra. Conecte la bomba conforme a todos los códigos correspondientes.

Para una operación automática, enchufe o cablee la bomba en el conmutador automático de flotador. Para una operación continua, enchufe directamente en una toma de corriente o haga el cableado directo a la caja de conmutación. Conecte la bomba a su propio requiere un ramal individual sin ningún otro dispositivo en ese circuito. Consulte la tabla de especificaciones (página 3) para verificar los tamaños de los fusibles y de los disyuntores.

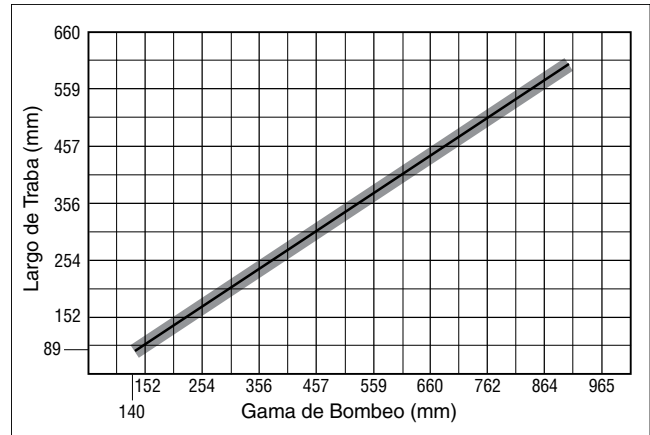
⚠ ADVERTENCIA **Riesgo de choque eléctrico y de incendio.** Asegúrese de que la información sobre el suministro de corriente (tensión/hertz/fase) que aparece en la placa de fábrica del motor de la bomba, corresponda exactamente con el suministro de corriente de entrada. Instale la bomba conforme a todos los códigos eléctricos que correspondan.

El interruptor de flotador automático viene configurado de fábrica con un largo de cadena de 4 pulgadas. Este largo de traba se puede ajustar para adaptarse a una variedad de gamas de bombeo. (Consulte el gráfico de rendimiento). El instalador debe asegurarse de que el conmutador no quede obstruido y que la gama se haya seleccionado de manera que el nivel del líquido permanezca 2" como mínimo por encima de la aspiración de la bomba en su nivel más bajo, y debajo de la tubería de admisión de la esclusa en su nivel más alto.

Sobrecargas

Un protector automático de sobrecarga en el motor protegerá al motor para que no se queme debido a recalentamiento o sobrecarga. Cuando el motor se enfríe, el protector de sobrecarga se reposicionará automáticamente.

Si la sobrecarga se dispara con frecuencia, verifique cuál es la causa. Podría ser un impulsor atascado, tensión baja o inadecuada, o una falla eléctrica en el motor. Si se sospecha que la razón es una falla eléctrica en el motor, haga que una persona experta en reparaciones repare bomba.



413 0893SP

Gráfico de rendimiento – Largo de traba con respecto a la gama de bombeo

Servicio

La bomba viene con lubricación permanente. No se necesita aceitar ni engrasar durante un servicio normal.

AVISO: No permita que la bomba marche en un sumidero seco. Eso invalidará la garantía y podrá perjudicar la bomba.

⚠ ADVERTENCIA **Tensión peligrosa. Puede causar choques, quemaduras o muerte.** Antes de realizar servicios de reparación en la bomba, desconecte la corriente eléctrica a la bomba y al conmutador de control.

Después de sacar la cubierta de la esclusa y las tuberías de descarga necesarias, saque la bomba de la esclusa.

⚠ ADVERTENCIA **Riesgo de choque eléctrico. Puede quemar o matar.** No levante la bomba por medio del cordón de corriente. Consulte la sección de "Advertencia sobre la utilización del cordón para levantar".

Coloque la bomba en un área en donde se pueda limpiar a fondo. Elimine todas las incrustaciones y los depósitos en la bomba.

Sumerja toda la bomba en una solución desinfectante (lejía con cloro) durante una hora como mínimo, antes de desarmar la bomba.

La caja del motor de la bomba contiene un aceite especial de lubricación. Mantenga el aceite limpio y libre de agua en todo momento. **AVISO:** Siempre que se saque la cubierta del motor para realizar servicios de reparación, saque el aceite y cámbielo por uno nuevo cuando vuelva a armar el motor. Use solamente el aceite indicado en la lista de repuestos (Repuesto No. U197-8A). Cuando llene con un aceite nuevo NO lo rellene demasiado. Para permitir espacio para la expansión, el nivel del aceite con el motor frío debe estar a 1/4" (6 mm) más o menos por encima de la parte superior del ensamblaje del motor.

Cambio del impulsor y de la junta –

⚠ ADVERTENCIA Riesgo de choque eléctrico. Desconecte la corriente eléctrica antes de realizar servicios de reparaciones en la bomba.

Consulte el dibujo de la unidad en la página 4.

Desensamblaje

1. Destornille los tornillos prisioneros de cabeza hexagonal, saque la unidad del motor de la voluta y colóquela a un costado en un lugar limpio.
2. Saque el tapón del aceite. Invierta la bomba para drenar el aceite.
3. Sostenga el impulsor, saque la tuerca y la arandela del impulsor.
4. Destornille el impulsor (gire en dirección opuesta a las agujas del reloj) para la limpieza.
5. Afloje la tuerca del cordón y tire suavemente de la unidad del cordón hacia afuera de la cubierta del motor. Desconecte los cables del juego del cordón (los cables y el conector están codificados a color para poder volver a instalarlos correctamente).
6. Suelte los tornillos de cabeza hueca que sostienen la cubierta del motor a la placa de estancamiento y saque la cubierta del motor.
7. Saque la mitad giratoria de la junta de estancamiento del eje.
8. Coloque la unidad del motor de manera que quede en posición vertical con el eje del motor saliendo fuera del fondo.
9. Saque los pernos pasantes de la unidad del motor. Saque el motor y el eje de la placa de estancamiento.
10. Trabajando desde la parte posterior de la placa de estancamiento, golpetee la cabeza de la junta primaria para sacarla de la placa de estancamiento; limpie bien la cavidad de asentamiento.

Re-ensamblaje

AVISO: Asegúrese de que las superficies de la junta de estancamiento estén limpias y sin averías. Aplique Permatex #2 o un producto equivalente con moderación en el borde exterior del cuerpo de la junta (con el resorte). Figura 1.

1. Presione el nuevo cuerpo de la junta en la cavidad de la placa de estancamiento (Figura 1).

Lado del impulsor de la placa de estancamiento

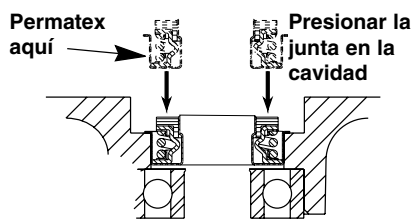


Figura 1

2. Vuelva a instalar el motor y el eje en la placa de estancamiento usando los cuatro pernos pasantes que se retiraron en el paso 10 de la sección de "Desensamblaje".

AVISO: No apriete demasiado los pernos pasantes.

3. Deslice la nueva mitad giratoria de la junta en el eje (Figura 2).

AVISO: No haga muescas ni raye la superficie de la junta de carburo de silicio cuando la pase por encima del hombro del eje. Las superficies de la junta de estancamiento debe estar limpias y sin averías o pueden haber fugas.

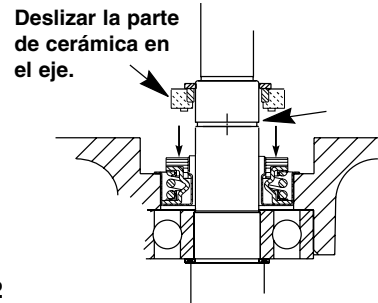


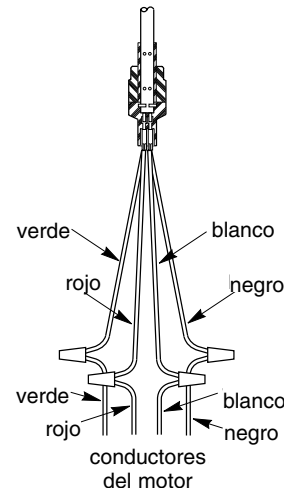
Figura 2

4. Vuelva a armar el impulsor, la arandela y la tuerca del impulsor.
5. Inspeccione cuidadosamente el aro tórico. cámbielo si está averiado. Si no tiene muescas ni arañazos, límpielo y vuelva a instalarlo.

AVISO: Se recomienda cambiar el aro tórico cada vez que se realicen reparaciones en la bomba.

6. Vuelva a conectar los cables del motor al conector. Remítase a las marcas codificadas a color.
7. Rellene el motor con aceite dieléctrico limpio (Repuesto No. U197-8A). Para permitir espacio para expansiones, el nivel del aceite con el motor frío debe ser 1/4" (6 mm) más o menos por encima de la parte superior de la unidad del motor.

Conexiones de los cables

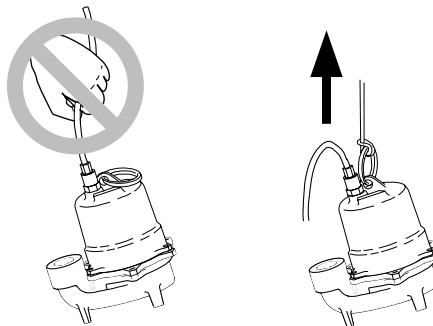


⚠ ADVERTENCIA



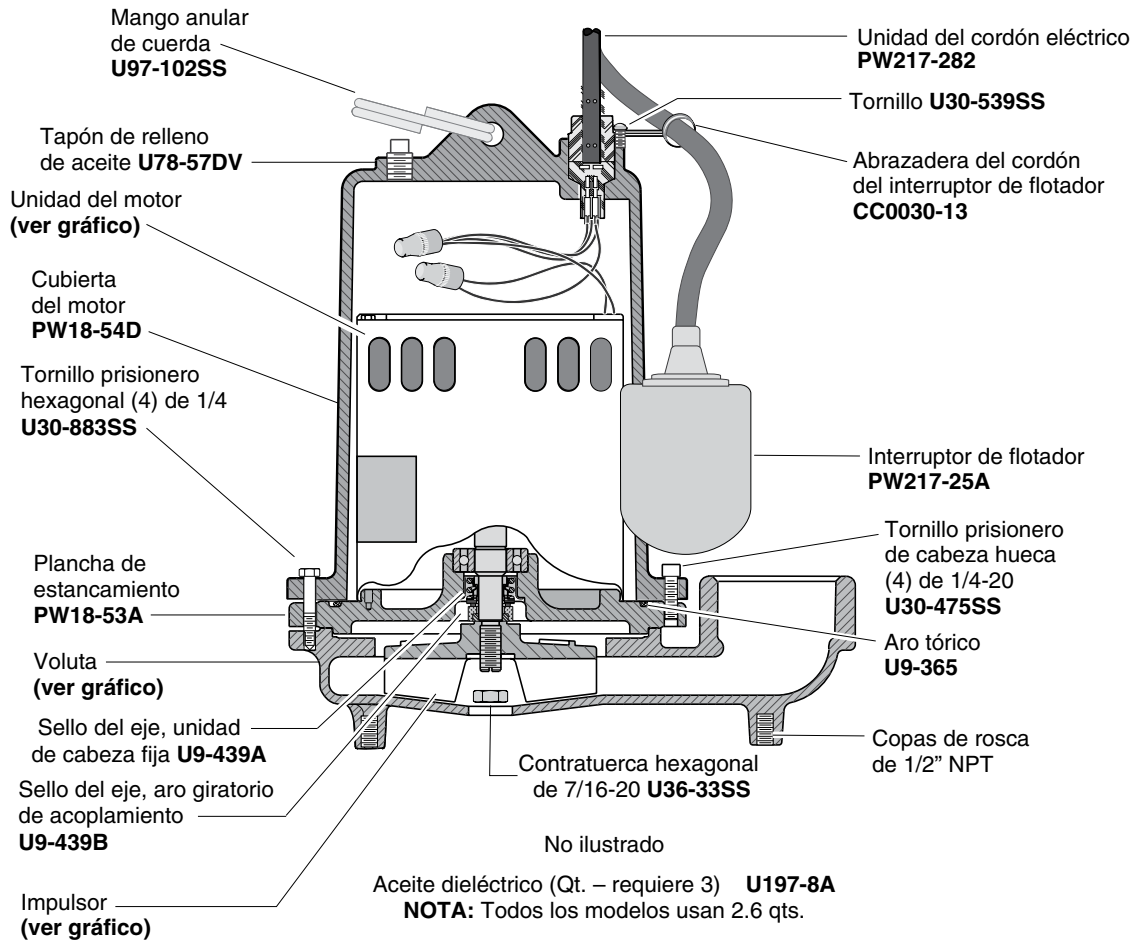
Riesgo de choque eléctrico. Puede quemar o matar. No levante la bomba por medio del cordón de corriente.

Advertencia sobre la utilización del cordón para levantar



1. Si se trata de levantar o sostener la bomba por medio del cordón de corriente, se puede dañar el cordón y sus conexiones.
2. El cordón se puede dividir, dejando expuestos los hilos desnudos y la posibilidad de incendios o choques eléctricos.
3. Si la bomba se levanta o se sostiene por medio del cordón de corriente, la garantía quedará inválida.
4. Use el aro o mango de sujeción en la parte superior de la bomba para levantarla o bajarla. Desconecte la corriente a la bomba antes de realizar trabajos en la bomba o de tratar de sacarla del sumidero.

Piezas de repuesto – HTS50A1



Localización de fallas

▲ ADVERTENCIA Arranques repentinos. Si la corriente a la bomba está activada cuando se reposicione la sobrecarga térmica, es posible que la bomba arranque sin advertencia alguna.

Si está trabajando en la bomba, existe el peligro de choques eléctricos o de que el impulsor atrape sus dedos o sus herramientas. Desconecte la corriente antes de realizar reparaciones en la bomba.

<p>A. La bomba no funciona:</p>	<ol style="list-style-type: none"> 1. Verifique que el cordón de corriente esté bien enchufado en la toma de corriente o cableado en forma segura al controlador o a la caja de conmutación. Desconecte la corriente hacia la toma de corriente antes de manipular la bomba o el motor. 2. Verifique que haya corriente eléctrica. 3. Verifique que el nivel del fluido líquido sea suficiente para activar el conmutador o el controlador. 4. Verifique que haya un orificio de ventilación de 3/16" (5 mm) en la tubería de descarga y que no esté tapado. 5. Verifique que no hayan bloqueos en la admisión de la bomba, en el impulsor, en la válvula de retención o en la tubería de descarga. 6. Es posible que la sobrecarga térmica se haya disparado. Haga una prueba para arrancar la bomba. Si arranca y luego se detiene inmediatamente, desconéctela de la fuente de energía por 30 minutos para permitir que el motor se enfríe, y luego vuelva a conectarla a la fuente de corriente. Verifique la causa del recalentamiento/la sobrecarga. 7. Si la bomba no funciona de ninguna manera o continúa funcionando mal, consulte a su técnico de reparaciones local.
<p>B. La bomba no logra vaciar el sumidero:</p>	<ol style="list-style-type: none"> 1. Asegúrese de que todas las válvulas en la válvula de descarga estén totalmente abiertas. 2. Limpie la tubería de descarga y la válvula de retención. 3. Verifique que no hayan bloqueos en la admisión de la bomba o en el impulsor. 4. El tamaño de la bomba no es adecuado. Es posible que se requiera una bomba de mayor capacidad.
<p>C. La bomba no se apaga:</p>	<ol style="list-style-type: none"> 1. Verifique la ubicación y el funcionamiento correcto del interruptor. Consulte las instrucciones de la instalación del conmutador/controlador.

Garantía limitada

HYDROMATIC le garantiza al comprador consumidor original (el "Comprador" o "Usted") que las bombas de sumidero, las bombas efluentes, las bombas para aguas residuales (a excepción de la bomba de 2-1/2"), y los sistemas-paquetes de marca HYDROMATIC, estarán libres de defectos en materiales y en mano de obra durante un período de garantía de 36 meses a partir de la fecha en que han sido fabricadas.

Nuestra garantía no se aplicará a ningún producto que, a nuestro sólo juicio, haya sido sometido a negligencia, mal uso, instalación inadecuada o mal mantenimiento. Sin perjuicio a lo que antecede, la garantía quedará anulada en el caso en que un motor trifásico se haya usado con una fuente de alimentación monofásica, a través de un convertidor de fase. Es importante indicar que los motores trifásicos deben estar protegidos por relés de sobrecarga de disparo extra-rápido, con compensación ambiental de tres etapas, del tamaño recomendado, de lo contrario, la garantía quedará anulada. Su único recurso, y la única obligación de HYDROMATIC es que HYDROMATIC repare o reemplace los productos defectuosos (a juicio de HYDROMATIC). Usted deberá pagar todos los cargos de mano de obra y de envío asociados con esta garantía y deberá solicitar el servicio bajo garantía a través del concesionario instalador tan pronto como se descubra un problema. No se aceptará ninguna solicitud de servicio bajo garantía que se reciba después del vencimiento del Período de Garantía. Esta garantía no se puede transferir.

EXCEPCIONES: Las bombas para aplicaciones especiales, las bombas de sumidero con baterías de respaldo, les bombas efluentes con filtro, las bombas trituradoras, y las bombas para aguas residuales de 2-1/2" de marca Hydromatic están garantizadas por un período de 12 meses a partir de la fecha de compra, o durante 18 meses a partir de la fecha de su fabricación, según lo que ocurra primero.

HYDROMATIC NO SE HARÁ RESPONSABLE DE NINGÚN DAÑO CONSECUENTE, INCIDENTAL O CONTINGENTE.

LAS GARANTÍAS LIMITADAS QUE ANTECEDEN SON EXCLUSIVAS Y EN LUGAR DE TODA OTRA GARANTÍA EXPLÍCITA E IMPLÍCITA, INCLUYENDO, PERO SIN LIMITARSE A LAS GARANTÍAS IMPLÍCITAS DE COMERCIALIZACIÓN E IDONEIDAD PARA UN FIN ESPECÍFICO. LAS GARANTÍAS LIMITADAS QUE ANTECEDEN NO SE EXTENDERÁN MÁS ALLÁ DEL PERÍODO DE DURACIÓN INDICADO EN LA PRESENTE.

Algunos estados no permiten la exclusión o limitación de daños incidentales o consecuentes o de limitaciones de tiempo sobre garantías implícitas, de modo que es posible que las limitaciones o exclusiones que preceden no correspondan en su caso. Esta garantía le otorga derechos legales específicos y es posible que usted también tenga otros derechos que pueden variar de un estado al otro.

Esta Garantía Limitada entra en vigor el 1 de junio de 2011 y sustituye toda garantía sin fecha o garantía con fecha anterior al 1 de junio de 2011.

HYDROMATIC

293 Wright Street, Delavan, WI 53115

Teléfono: 888-957-8677 • Fax: 800-426-9446 • Sitio web: hydromatic.com

This page intentionally left blank

