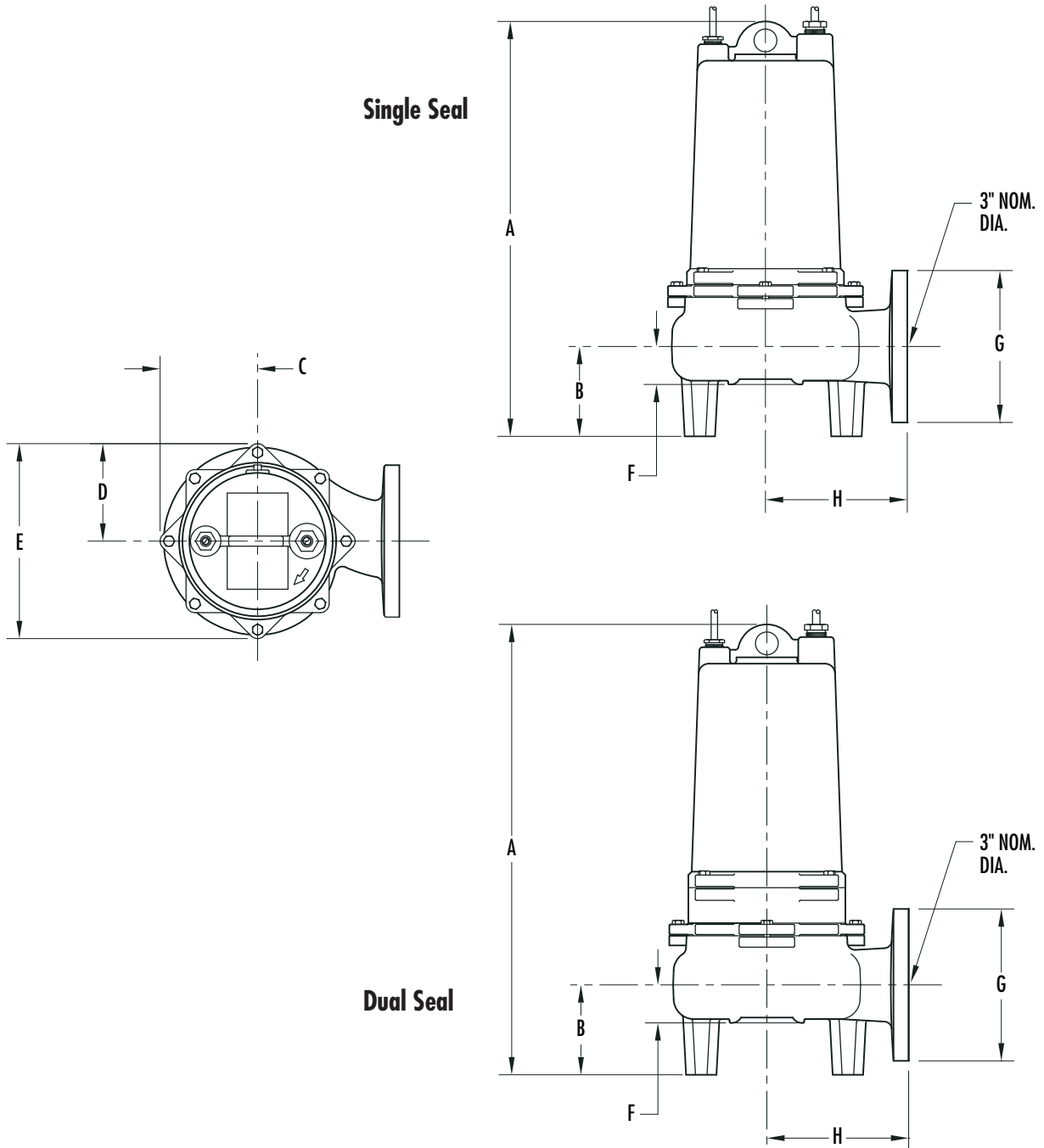


Dimensional Data

S3WR – 1750 RPM



	A	B	C	D	E	F	G	H
S3WR – Single Seal	20-1/2	4-1/2	4-13/16	4-13/16	9-5/8	1-7/8	7-1/2	7
S3WR – Dual Seal	22-1/4	4-1/2	4-13/16	4-13/16	9-5/8	1-7/8	7-1/2	7

ALL DIMENSIONS IN INCHES

NOTE: CASTING DIMENSIONS MAY VARY ± 1/8"