



**MYERS<sup>®</sup>**  
**MODELS MS3S/MSB3S**  
**SUBMERSIBLE SEWAGE PUMP**



# MYERS® MODELS MS3S/MSB3S

## 3" SUBMERSIBLE SEWAGE PUMP

Myers MS3S/MSB3S model pumps are suited for wet-well installation in a wide variety of municipal, industrial and building trades applications. Their solids handling ability makes them a wise choice for:

- **Municipal sewage lift stations**
- **Industrial sewage transfer**
- **Dewatering of storm water**

Myers MS3S/MSB3S sewage pumps are designed to transfer raw sewage with solids as large as 2-1/2 inches through pipes up to 3 inches in diameter.

Sewage pumps are necessary to move sewage from a building to the sewer system, and in many cases, from the sewer system to a treatment plant. In the case of larger commercial installations, collection systems are designed to accumulate and transfer the wastewater efficiently. Examples of this are motels, apartment buildings or industrial plants that tie in with sewer mains or on-site treatment facilities.

For commercial or high volume applications, the usual procedure is to incorporate at least two pumps as a duplex system in conjunction with control panel, a guide system and quick disconnect discharge system.

The MS3S/MSB3S pumps can be used with the Myers pultruded I-beam rail system to accomplish this. This corrosion-resistant system permits the pump(s) to be lowered into position without entering or reaching into the wet well. An exclusive self-sealing flange eliminates the need to bolt pump to the piping. When the pump is activated, a neoprene diaphragm forms an effective seal between the discharge flange and the base elbow flange. A Myers control panel will ensure proper start components and equal pump alternation.

This corrosion-resistant NEMA 4X panel also includes float indicator L.E.D.'s, allowing float monitoring without removal of wet well cover.



MS3S

MSB3S

### Product Capabilities

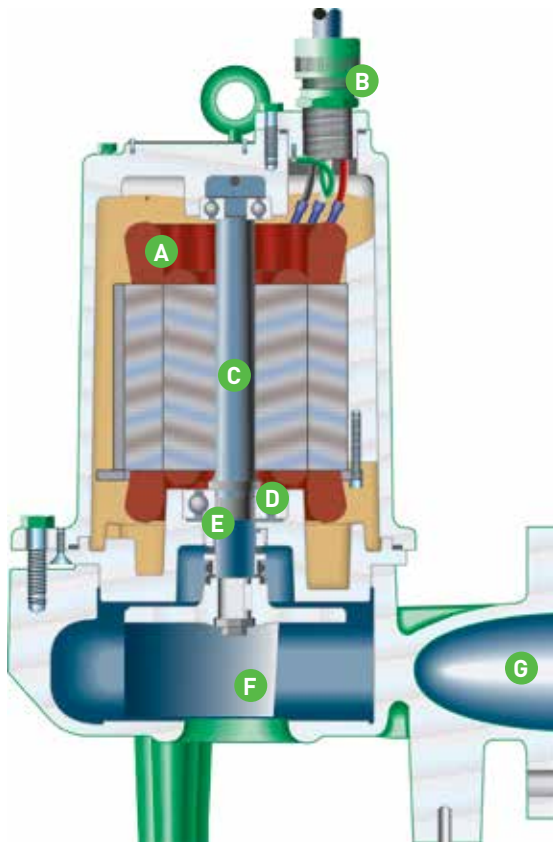
Capacities To	385 GPM	87 M <sup>3</sup> /HR
Heads To	46 ft.	14 m
Solids Handling	2-1/2 in.	63.5 mm
Liquids Handling	Sewage Transfer, Drain Water, Effluent	
Intermittent Liquid Temp.	up to 140°F	up to 60°C
Winding Insulation Temp. (Class F)	311°F	591°C
Available Motors	1750 RPM 2 & 3 hp 208, 230, 460 & 575 volts 1 & 3 phase, 60 Hz	
Std. Third Party Approvals	CSA	
Acceptable pH Range	6 - 9	
Specific Gravity	.9 - 1.1	
Viscosity	28 - 35 SSU	
Discharge, Horizontal	3 in.	76 mm

### Construction Materials

Motor Housing, Seal Housing, Cord Cap and Volute Case	Cast Iron ASTM A-48 Class 30
Impeller	Ductile Iron, ASTM A536
Power and Control Cord	SOOW, W
Mechanical Seals	Standard - Carbon/Ceramic/Nitrile, Type 21
Pump, Motor Shaft	400 SST
Fasteners	300 Series SST

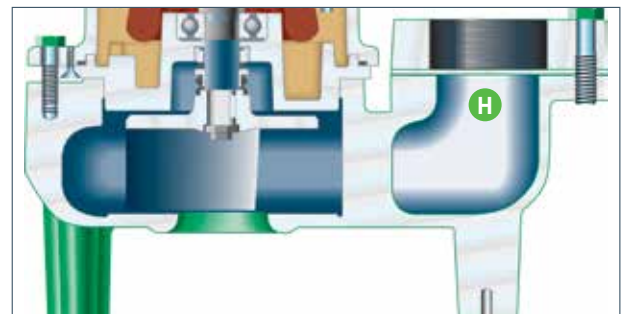
Note: Consult factory for applications outside these recommendations.

# Pump Features



- A. Motor**  
The fully enclosed oil-filled motor efficiently dissipates heat and locks out moisture so you receive reliable pumping service.
- B. CPE Jacketed Power Cord**  
Sealed by both the cord grip and the epoxy barrier.
- C. Stainless Steel Shaft**  
Eliminates corrosion and fatigue to give longer pump life. The minimum shaft overhang decreases deflection and increases bearing and seal life.
- D. Ball Bearings**  
The heavy duty ball bearings, upper (radial) and lower (thrust), are submerged in oil to provide permanent lubrication and ensure long service life.

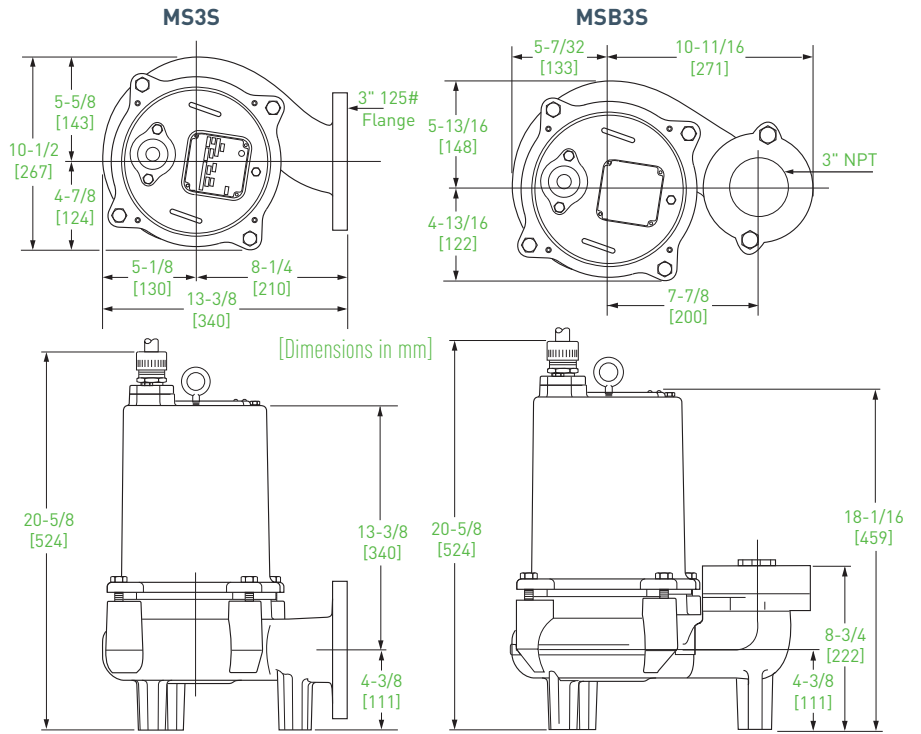
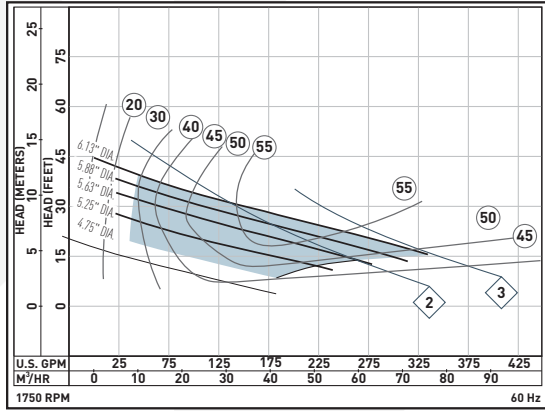
- E. Mechanical Seal**  
Constructed with a ceramic stationary face and a carbon rotating face for long service life.
- F. Impeller**  
Two-vane, semi-open design for efficient operation without clogging. The impeller has pump-out vanes to prevent material buildup around shaft and seal.
- G. Horizontal Discharge**  
Model MS3S handles 2-1/2 inch spherical solids and has a flanged 3 inch horizontal discharge.
- H. Vertical Discharge**  
Model MSB3S handles 2-1/2 inch spherical solids and has a flanged 3 inch vertical discharge.



- Oil-filled motor for cooler operation, longer life and less maintenance. The dielectric oil effectively dissipates heat and lubricates upper and lower ball bearings.
- Manufactured with carbon and ceramic faced mechanical shaft seal.
- Standard construction is cast iron.
- 400 Series stainless steel shafts.
- Field serviceable; pumps have 300 Series stainless steel fasteners for easy teardown.
- Single phase motors are capacitor start, capacitor run with capacitors located in control panel. Contact distributor for proper Myers® control panel sizing.
- Semiopen, two-vane sewage type impellers have pump-out vanes on back shrouds to prevent stringy materials from building up around shaft and seal.

# Models MS3S and MSB3S

## Performance Data and Dimensions



Available Models		Motor Electrical Data										
Standard	HP	Volts	Phase	Hertz	Full Load Amps	Full Load kW	Locked Rotor Amps	Start KVA	Full Load KVA	NEC Code Letter	Service Factor	
MS(B)3S200M2-4	2	230	1	60	12.8	2.6	66	15.2	2.9	J	1.2	
MS(B)3S200M6-4	2	208	3	60	7.8	2.2	49	17.6	2.4	K	1.2	
MS(B)3S200M3-4	2	230	3	60	6.8	2.2	44	17.5	2.3	K	1.2	
MS(B)3S200M4-4	2	460	3	60	3.4	2.2	22	17.5	2.3	K	1.2	
MS(B)3S200M5-4	2	575	3	60	2.7	2.2	18	17.9	2.3	K	1.2	
MS(B)3S300M2-4	3	230	1	60	17.1	3.5	100	23	3.9	J	1.2	
MS(B)3S300M6-4	3	208	3	60	10.9	3.5	49	17.6	3.8	G	1.2	
MS(B)3S300M3-4	3	230	3	60	9.5	3.7	44	17.5	3.8	G	1.2	
MS(B)3S300M4-4	3	460	3	60	4.8	3.7	22	17.5	3.8	G	1.2	
MS(B)3S300M5-4	3	575	3	60	3.8	3.6	18	17.9	3.8	G	1.2	

Motor Efficiencies and Power Factor									
Motor Efficiency %					Power Factor %				
HP	Phase	Service Factor Load	100% Load	75% Load	50% Load	Service Factor Load	100% Load	75% Load	50% Load
2	1	73	76	75	71	88	89	85	77
2	3	72	69	65	56	83	76	69	59
3	1	73	73	69	62	88	85	79	70
3	3	72	72	70	64	88	88	85	79



1101 MYERS PARKWAY  
ASHLAND, OHIO 44805  
PH: 855-274-8947  
WWW.FEMYERS.COM

490 PINEBUSH ROAD, UNIT 4  
CAMBRIDGE, ONTARIO, CANADA N1T 0A5  
PH: 800-363-7867  
WWW.FEMYERS.COM

Because we are continuously improving our products and services, Pentair reserves the right to change specifications without prior notice.  
M-02-4100 01/18/18 © 2018 Pentair plc. All Rights Reserved.