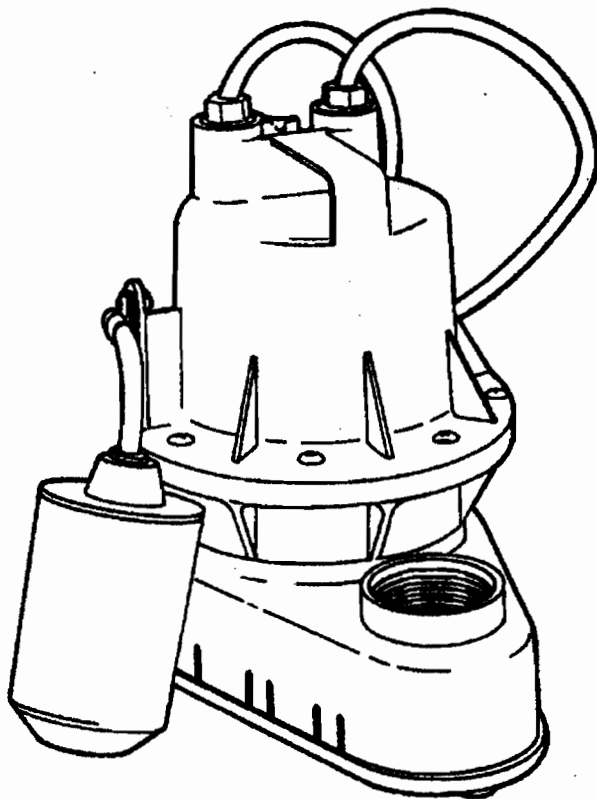


Myers®

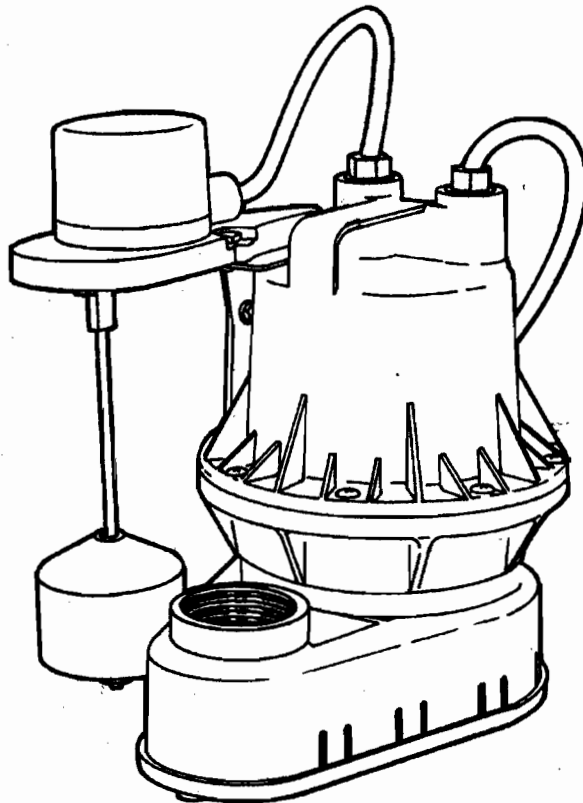
Pentair Pump Group

SP25 Series

Instructions, Service Manual and Parts List



SP25A1



SP25V1

"WARNING"

RISK OF ELECTRIC SHOCK: THIS PUMP IS SUPPLIED WITH A GROUNDING CONDUCTOR AND GROUNDING TYPE ATTACHMENT PLUG. TO REDUCE THE RISK OF ELECTRIC SHOCK, BE CERTAIN THAT IT IS CONNECTED ONLY TO A PROPERLY GROUNDED, GROUNDING-TYPE RECEPTACLE

Your pump has been carefully packaged to prevent damage during shipping. However, occasionally damage does occur due to rough handling. Carefully inspect the pump for cracks or other damage that could cause it to fail.

This discharge is threaded for 1½" pipe. Note: **DO NOT OVERTIGHTEN DISCHARGE PIPE INTO PUMP PLASTIC DISCHARGE FITTING.**

The pump can be installed with ABS, PVC or polyethylene plastic pipe or galvanized pipe. Proper adapters are required to connect plastic pipe to pump.

A CHECK VALVE MUST BE USED IN THE DISCHARGE LINE FOR ALL INSTALLATIONS. Always install check valve with arrow on the body in the direction of flow. A shut-off valve should also be used.

AIR LOCKING

A sump pump is considered to be air locked if water traps air in the pump and it cannot get out, thus preventing pump from operating.

AS A PRECAUTION, IT IS RECOMMENDED THAT A 1/8" HOLE BE DRILLED IN THE DISCHARGE PIPE BELOW THE CHECK VALVE. THIS CHECK VALVE SHOULD BE 12" TO 18" ABOVE PUMP DISCHARGE. DO NOT PUT CHECK VALVE DIRECTLY INTO PUMP DISCHARGE OPENING.

INSTALLING AND STARTING PUMP

1. These pumps have an integral ball float or vertical float switch for automatic operation.
2. Refer to Typical Installation Drawing for recommended installation. Install check valve with arrow in direction of flow and drill 1/8" hole in discharge pipe between pump and check valve as noted.
3. After installation is complete plug cord into a 115 volt GROUNDED RECEPTACLE.
4. Run water into sump basin. Pump should turn on at 9" to 10" water level. Allow pump to go through several ON-OFF cycles to assure satisfactory operation.
5. **BE SURE BALL FLOAT SWITCH FLOATS FREELY IN SUMP BASIN WITHOUT TOUCHING BASIN WALLS. ADJUST PUMP POSITION IN SUMP IF NECESSARY.**
6. If a shut-off valve is used in discharge line, be sure valve is open.
7. If pump does not operate properly, see Troubleshooting Checklist for remedy.

MAINTENANCE AND SERVICE

If pump does not operate properly, follow steps shown on Troubleshooting chart. If trouble cannot be located with these steps shown, call Myers service dealer, or take pump to Myers authorized service center.

CAUTION: FOR ANY WORK ON PUMP OR SWITCH, ALWAYS UNPLUG POWER CORD. DO NOT JUST TURN OFF CIRCUIT BREAKER OR UNSCREW FUSE.

CLEANING FLOAT

If pump becomes inoperative because of accumulation of trash on the float, remove pump from sump and clean float.

1. Wipe all water and dirt from pump and float.
2. If tar or paint have been put in the basin, it may be necessary to thoroughly clean the float. Kerosene can be used to remove tar or paint.
3. Be sure float operates freely after cleaning.

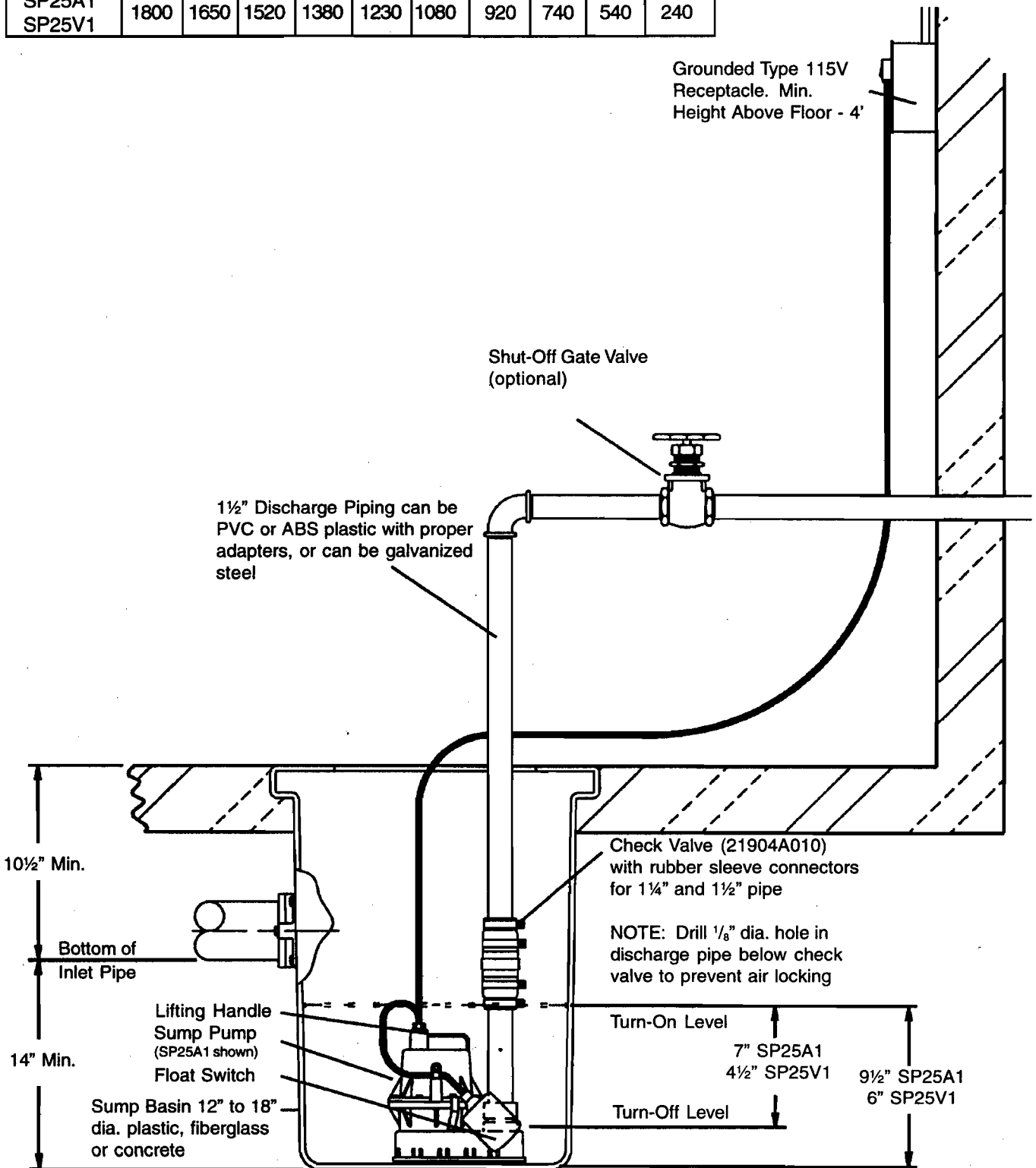
CLEANING IMPELLER AND VOLUTE CASE

1. Remove three screws that hold plastic base and volute. Remove four screws which hold volute to motor housing. **CAUTION: Warranty is void if impeller or motor cap is removed.**
2. Remove volute and clean impeller and volute passage. If tar or paint has entered pump it may be necessary to clean with kerosene. **CAUTION: Do not use strong paint solvents.**
3. Be sure impeller turns freely after cleaning.
4. Clean out holes in plastic volute and wash thoroughly before replacing.

TYPICAL INSTALLATION DRAWING

PERFORMANCE TABLE (GALLONS PER HOUR)

Total Head in Feet	2	4	6	8	10	12	14	16	18	20
SP25A1	1800	1650	1520	1380	1230	1080	920	740	540	240
SP25V1										

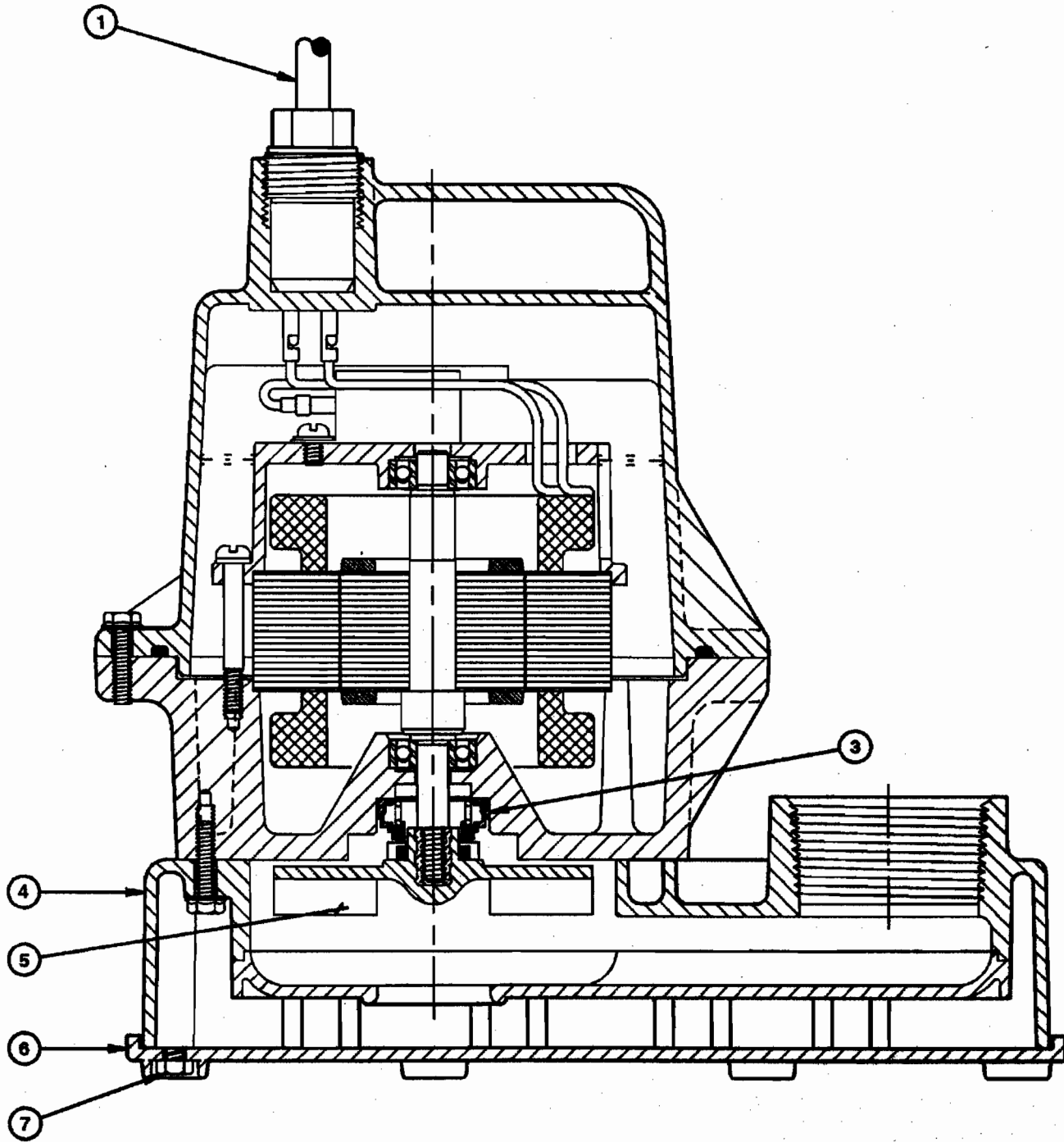


PARTS LIST

Ref. No.	Description	Qty.	Part No.
1	Cord, Power	1	21628B017
2	Control, Level SP25A1 (not shown)	1	25798A500
2	Control, Level SP25V1 (not shown)	1	26292B100
2A*	Bracket, Vertical Switch	1	26291B015
3	Seal, Shaft	1	21607A001
4	Case, Volute	1	24432C050
5	Impeller	1	24433B060

Ref. No.	Description	Qty.	Part No.
6	Plate, Bottom	1	24432C003
7	Screw, Self Tapping, #10-24	3	05910A012
8	Clamp, Cable (not shown)	1	22071A001
9	Washer, Lock (not shown)	1	06107A024
10	Screw, Machine, #10-24	1	09822A006
11	Nut, Hex (not shown)	1	19109A085

*Used on SP25V1 only



SUMP PUMP TROUBLESHOOTING CHECKLIST

PROBLEM	CHECKING PROCEDURE
Pump hums or does not run	<ol style="list-style-type: none"> 1. Line circuit breaker may be off, or fuse may be blown or loose. 2. Water level in sump may be too low. Add more water. Turn-on level is as indicated in Installation Drawing. 3. Pump cord may not be making contact in receptacle. 4. Float may be stuck. It should operate freely in basin. 5. If all symptoms check OK, motor winding may be open.
Pump runs but does not deliver water	<ol style="list-style-type: none"> 1. Check valve may be installed backwards. Arrow on valve should point in direction of flow. 2. Discharge shut-off valve (if used) may be closed. 3. Pump may be air locked. Start and stop several times by plugging and unplugging cord. Check for clogged vent hole in discharge. 4. Impeller or volute openings may be fully or partially clogged. Remove pump and clean. 5. Inlet holes in pump base may be clogged. Remove pump and clean the openings. 6. Pump head may be too high. Pump can't deliver water over 18' vertical. Horizontal distance doesn't affect pumping, except loss due to friction.
Pump runs and pumps out sump, but does not stop	<ol style="list-style-type: none"> 1. Float is stuck in up position. Be sure float operates freely in basin.
Pump runs but delivers only a small amount of water	<ol style="list-style-type: none"> 1. Pump may be air locked. Start and stop several times by plugging and unplugging cord. Check for clogged vent hole in discharge. 2. Pump head may be too high. Pump can't deliver water over 18 feet vertical. Horizontal distance does not affect pumping, except loss due to friction. 3. Inlet holes in pump base may be clogged. Remove pump and clean the openings. 4. Impeller or volute openings may be fully or partially clogged. Remove pump and clean. 5. Pump impeller may be partially clogged with tar or paint, causing motor to run slow and overload. Remove pump and clean.
Fuse blows or circuit breaker trips when pump starts	<ol style="list-style-type: none"> 1. Inlet holes in pump base may be clogged. Remove pump and clean the openings.. 2. Pump impeller may be partially clogged with tar or paint, causing motor to run slow and overload. Remove pump and clean. 3. Motor stator may be defective. 4. Fuse size or circuit breaker may be too small. Must be 15 amps. 5. Impeller or volute openings may be wholly or partially clogged. Remove pump and clean.
Motor runs for a short time, then stops	<ol style="list-style-type: none"> 1. Inlet holes in pump base may be clogged. Remove pump and clean the openings. 2. Impeller or volute openings may be wholly or partially clogged. Remove pump and clean. 3. Motor stator may be defective. 4. Pump impeller may be partially clogged with tar or paint, causing motor to run slow and overload. Remove pump and clean.

Myers®
Pentair Pump Group

F. E. Myers, 1101 Myers Parkway, Ashland, Ohio 44805-1969
419/289-1144, FAX: 419/289-6658, www.femyers.com

Myers (Canada), 269 Trillium Drive, Kitchener, Ontario N2G 4W5
519/748-5470, FAX: 519/748-2553

MYERS LIMITED WARRANTY SUMP & RESIDENTIAL SEWAGE

During the time periods and subject to the conditions hereinafter set forth, **F. E. Myers** will repair or replace to the original user or consumer any portion of your new **MYERS** product which proves defective due to defective materials or workmanship of **MYERS**. Contact your nearest Authorized **MYERS** Dealer for warranty service. At all times **MYERS** shall have and possess the sole right and option to determine whether to repair or replace defective equipment, parts, or components. Damage due to lightning or conditions beyond the control of **MYERS** is NOT COVERED BY THIS WARRANTY.

WARRANTY PERIOD

Pumps: 12 months from date of purchase or 18 months from date of manufacture.

Labor, etc. Costs: **MYERS** shall IN NO EVENT be responsible or liable for the cost of field labor or other charges incurred by any customer in removing and/or reaffixing any **MYERS** product, part or component thereof.

THIS WARRANTY WILL NOT APPLY: (a) to defects or malfunctions resulting from failure to properly install, operate or maintain the unit in accordance with printed instructions provided; (b) to failures resulting from abuse, accident or negligence; (c) to normal maintenance services and the parts used in connection with such service; (d) to units which are not installed in accordance with applicable local codes, ordinances and good trade practices; or (e) unit is used for purposes other than for what it was designed and manufactured, and (f) if three phase submersible motors are installed on a single phase power supply using a phase converter or if three phase power is supplied by only two transformers, making an open Delta system.

RETURN OR REPLACED COMPONENTS: any item to be replaced under this Warranty must be returned to **MYERS** in Ashland, Ohio, or such other place as **MYERS** may designate, freight prepaid.

PRODUCT IMPROVEMENTS: **MYERS** reserves the right to change or improve its products or any portions thereof without being obligated to provide such a change or improvement for units sold and/or shipped prior to such a change or improvement.

WARRANTY EXCLUSIONS: **MYERS** SPECIFICALLY DISCLAIMS THE IMPLIED WARRANTIES OF MERCHANTABILITY AND FITNESS FOR A PARTICULAR PURPOSE AFTER THE TERMINATION OF THE WARRANTY PERIOD SET FORTH HEREIN.

Some states do not permit some or all of the above warranty limitations and, therefore, such limitations may not apply to you. No warranties or representations at any time made by any representatives of Myers shall vary or expand the provision hereof.

LIABILITY LIMITATION: IN NO EVENT SHALL **MYERS** BE LIABLE OR RESPONSIBLE FOR CONSEQUENTIAL, INCIDENTAL OR SPECIAL DAMAGES RESULTING FROM OR RELATED IN ANY MANNER TO ANY **MYERS** PRODUCT OR PARTS THEREOF. PERSONAL INJURY AND/OR PROPERTY DAMAGE MAY RESULT FROM IMPROPER INSTALLATION. **MYERS** DISCLAIMS ALL LIABILITY, INCLUDING LIABILITY UNDER THIS WARRANTY, FOR IMPROPER INSTALLATION -- **MYERS** RECOMMENDS FOLLOWING THE INSTRUCTIONS IN THE INSTALLATION MANUAL. WHEN IN DOUBT, CONSULT A PROFESSIONAL.

Some states do not allow the exclusion or limitation of incidental or consequential damages, so the above limitation or exclusion may not apply to you.

This Warranty gives you specific legal rights and you may also have other rights which vary from state to state.

In the absence of suitable proof of this purchase date, the effective date of this warranty will be based upon the date of manufacture.

DETERMINATION OF UNIT DATE OF MANUFACTURE: Submersible Sump pump (8-95) month and year stamped on pump nameplate; column sump pump month and year on red warranty tag.

Myers
Pentair Pump Group

F. E. Myers, 1101 Myers Parkway, Ashland, OH 44805-1969
419-289-1144 • Fax: 419-289-6658 • www.femyers.com