

Panel Wiring Diagram Model DAX1

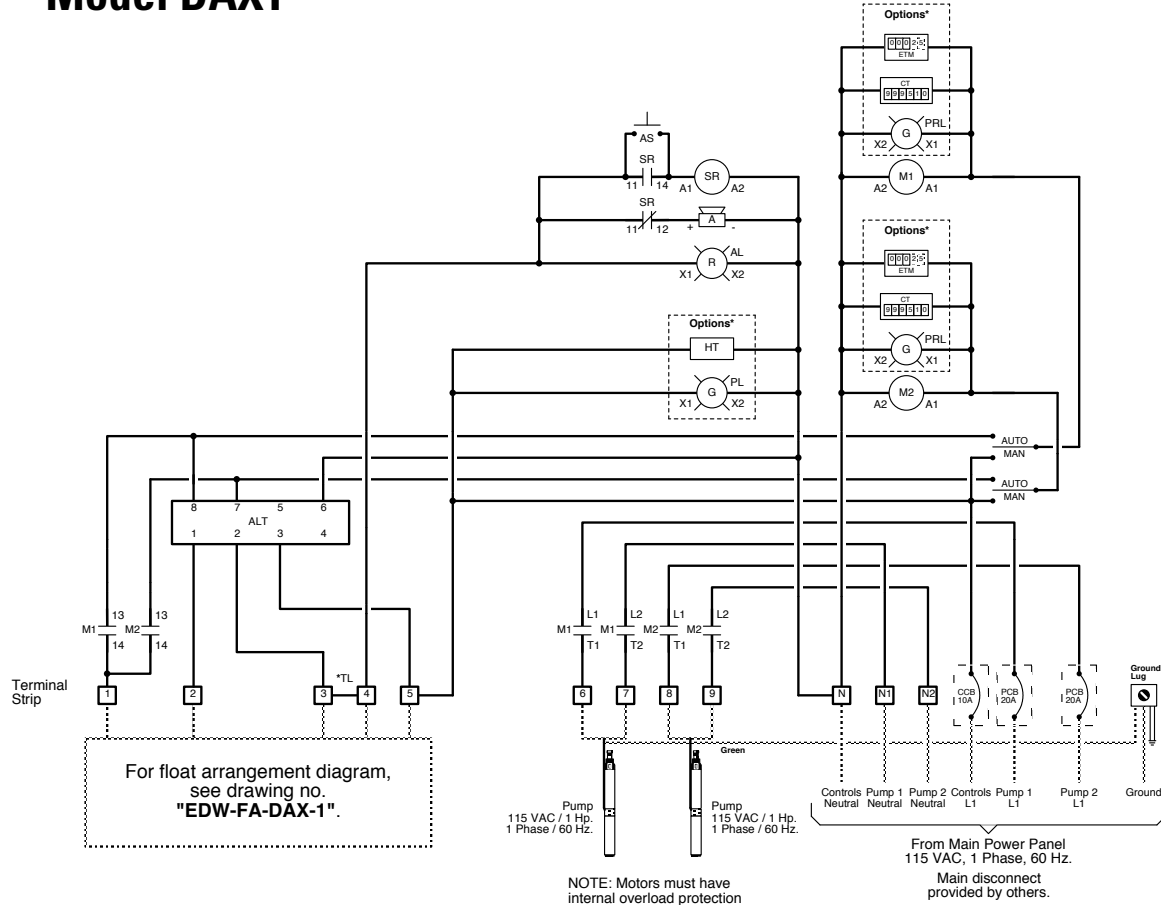


Oreco Systems[®]
Incorporated

814 AIRWAY AVENUE
SUTHERLIN, OREGON
97479-9012

TELEPHONE:
(541) 459-4449

FACSIMILE:
(541) 459-2884



Duplex Operation

High Level Alarm: This float activates the alarm light and audible alarm when lifted. The audible alarm may be silenced by pressing the illuminated PUSH TO SILENCE button on the front of the control panel. The alarm light will remain on until the float is lowered.

Lag Pump On: This float turns on the lag pump when lifted. The pump will continue to run until the Pumps Off float is lowered.

Lead Pump On: This float turns on the lead pump when lifted. The pump will continue to run until the Pumps Off float is lowered.

Pumps Off: This float turns off the pumps when lowered.

Key

- = Factory Wire
 - - - = Field Wire
 - ~ = Alternate Field Wire
 - A = Audio Alarm, 115 VAC
 - AL = Alarm Light
 - ALT = Duplex Alternator
 - AS = Audio Silence Switch
 - CCB = Controls Circuit Breaker
 - Logo = Logic Module
 - M = Motor Contactor
 - PCB = Pump Circuit Breaker
 - SR = Silence Control Relay
 - TL = Terminal Link
- *Options**
- CT = Cycle Counter
 - ETM = Elapsed Time Meter
 - HT = Heater
 - PL = Power Light
 - PRL = Pump Run Light

For float arrangement diagram,
see drawing no.
"EDW-FA-DAX-1".

NOTE: Motors must have
internal overload protection

From Main Power Panel
115 VAC, 1 Phase, 60 Hz.
Main disconnect
provided by others.

