

Electrical Warnings

⚠ WARNING ELECTRICAL SHOCK HAZARD



Disconnect power before installing or servicing this product. A qualified service person must install and service this product according to applicable electrical and plumbing codes.

⚠ WARNING EXPLOSION OR FIRE HAZARD



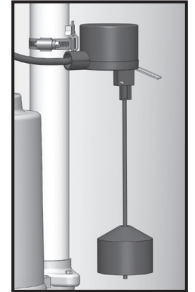
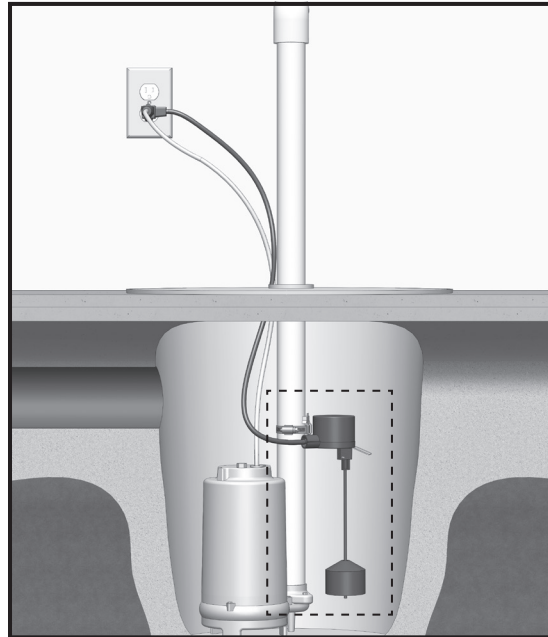
Do not use with flammable liquids. Install in accordance with ANSI/NFPA 70. Suitable for usage with intrinsically safe circuit extensions as defined by UL 698A.

Failure to follow these precautions could result in serious injury or death. Replace product immediately if switch, cable weight, or cable becomes damaged or cracked. Keep these instructions with warranty after installation. This product must be installed in accordance with National Electric Code, ANSI/NFPA 70 so as to prevent moisture from entering or accumulating within boxes, conduit bodies, fittings, float housing, or cable.

For detailed specifications on this product, or for the complete line of SJE-Rhombus® panel, alarm, and switch products, visit our web-site at www.sjrhombus.com.

SJE VERTICALMASTER® Float Switch

Installation Instructions



U.S. Patent No. 5,155,311
Canadian Patent No. 2,060,748

SJE VERTICALMASTER® FLOAT SWITCH

This mechanically activated pump switch is designed for direct control of pumps in non-potable water and sewage applications. It works well in applications with limited space such as: small sump chambers, effluent applications, and laundry trays, as well as in large tanks.

The SJE VerticalMaster® pump switch is not sensitive to turbulence.

It is available for pump down applications only.

SJE-RHOMBUS® FIVE-YEAR LIMITED WARRANTY

Five-Year Limited Warranty.

For complete terms and conditions, please visit www.sjrhombus.com.

PREVENTATIVE MAINTENANCE

- Periodically inspect the product. Check that the cable has not become worn or that the housing has not been damaged so as to impair the protection of the product. Replace the product immediately if any damage is found or suspected.
- Periodically check to see that the float and rod are free to move and operate the switch.
- Use only SJE-Rhombus® replacement parts.

NOTICE!

Products returned must be cleaned, sanitized, or decontaminated as necessary prior to shipment to ensure that employees will not be exposed to health hazards in handling said material. All applicable laws and regulations shall apply.

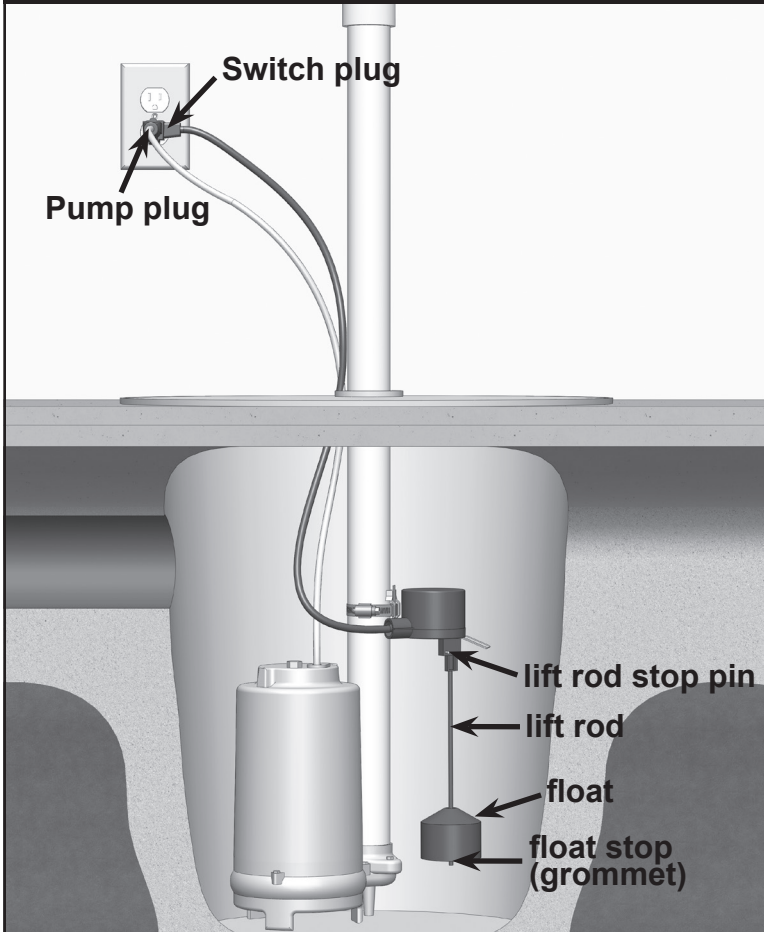


22650 County Highway 6 ■ P.O. Box 1708
Detroit Lakes, Minnesota 56502 USA
1-888-DIAL-SJE (1-888-342-5753)
Phone: 218-847-1317 ■ Fax: 218-847-4617
E-mail: customer.service@sjeinc.com

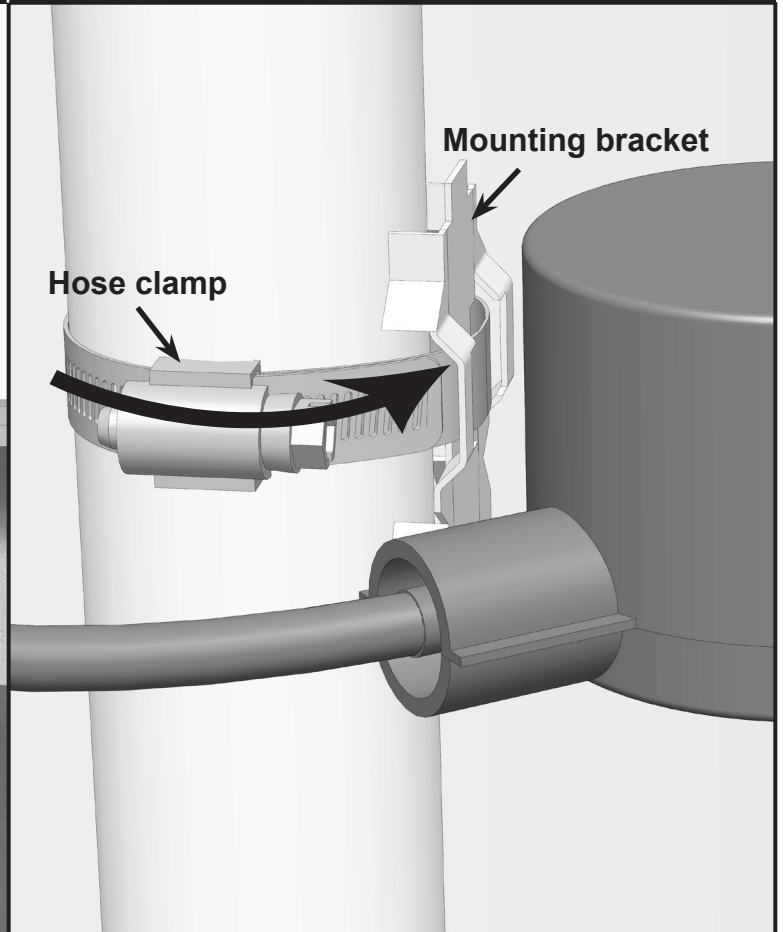
Technical Support Hours: Monday - Friday, 7 A.M. to 6 P.M. Central Time

Instl. Instr. PN 1011981K
©SJE-Rhombus 03/18

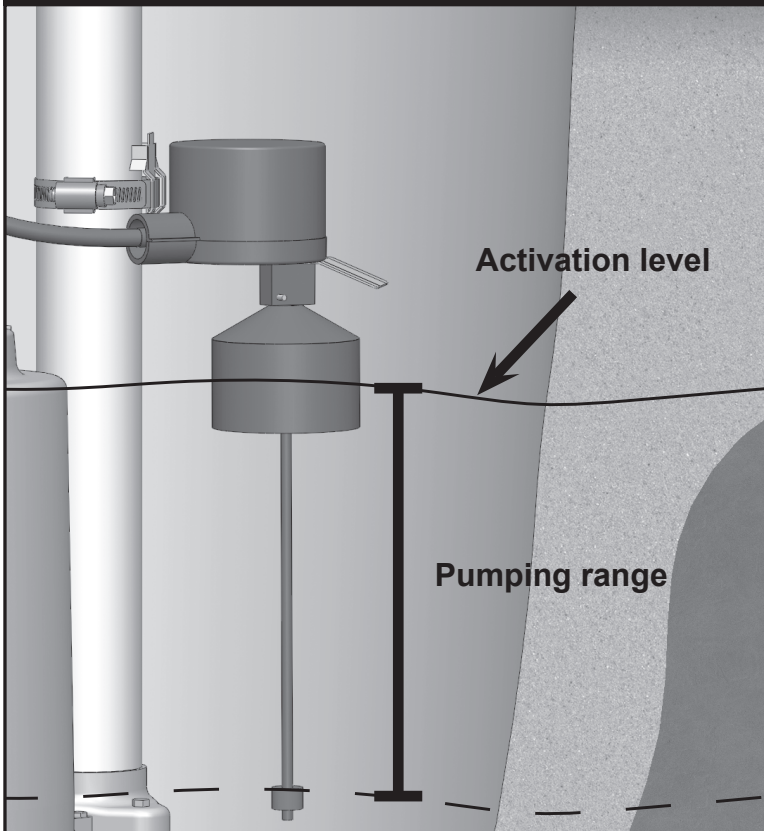
1 Determine location for float switch.



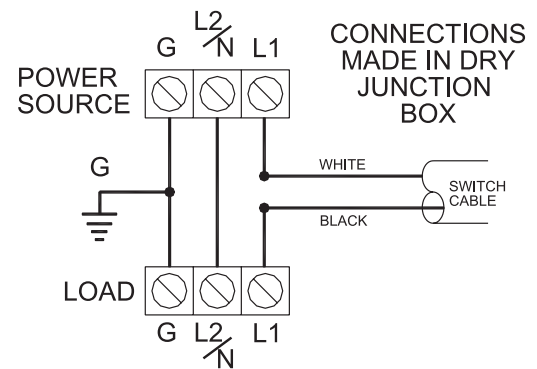
2 Secure float switch to discharge pipe by inserting the hose clamp through the mounting bracket slots and tightening the hose clamp.



3 Adjust pumping range.



4 For units without plugs, connect wires as shown.



⚠ WARNING



In 230 VAC installations, one side of the line going to the load is always **HOT**. This condition exists if the switch is on or off. Install double pole disconnect on all 230 VAC circuits. Ensure cable connections are performed in a **dry** junction box or other watertight seal that seals both conductors and cable jacket.

Failure to do so could result in electrical shock hazard and/or water traveling down cable and entering the switch. Failure to guard against this may affect switch performance.