

TANK ALERT® AB DUO Installation Instructions

This alarm system monitors two separate liquid levels in lift pump chambers, sump pump basins, holding tanks, sewage, agricultural, filters, and other water applications.

The alarm horn and red "alarm 1" LED indicator activates when an alarm 1 condition occurs. The alarm horn and yellow "alarm 2" LED indicator activates when an alarm 2 condition occurs. A green "Power On" light indicates 120 VAC primary power to the alarm. Low battery chirp feature indicates when battery should be replaced. The Tank Alert® AB DUO alarm system can serve as a high or low level alarm or filter alarm depending on the float switch model used.

TANK ALERT® AB DUO ALARM



- **120 VAC Model Voltage** - (circuits not supervised) Primary: 120 VAC, 60 Hz, 2.4 watts maximum (alarm condition) Operating Voltage: 9 VDC Double Insulation
- NEMA 1 enclosure rated for indoor use.
- Automatic alarm reset.
- Red "alarm 1" light, yellow "alarm 2" light, and green "power on" light, alarm "test" switch, and horn "silence" switch.
- 6 foot (1.8 meter) power cord.
- Alarm horn sounds at 87 decibels at 10 feet (3 meters).
- Can be used with any switching mechanism rated to include 1 amp, 9 VDC load.
- Maximum line impedance for initiating device: 5 ohms.
- If primary power fails, the alarm system continues to work due to battery backup feature. Battery Backup Power - (circuit not supervised) 9 VDC
- Complete package includes standard SJE SignalMaster® control switch with 15 feet (4.57 meters) of cable and mounting clamp.
- Switching mechanism operates on low voltage and is isolated from the power line to reduce the possibility of shock.
- Low battery chirp.
- External terminal block for easy float switch installation.
- Five-year limited warranty.

PREVENTATIVE MAINTENANCE

- Periodically inspect the product. Check that the cable has not become worn or that the housing has not been damaged so as to impair the protection of the product. Replace the product immediately if any damage is found or suspected.
- Periodically check to see that the floats are free to move and operate the switch.
- Use only SJE Rhombus® replacement parts.

SJE RHOMBUS® FIVE-YEAR LIMITED WARRANTY

Five-Year Limited Warranty.

For complete terms and conditions, please visit www.sjerrhombus.com.

NOTICE!

Products returned must be cleaned, sanitized, or decontaminated as necessary prior to shipment to ensure that employees will not be exposed to health hazards in handling said material. All applicable laws and regulations shall apply.

⚠ WARNING**ELECTRICAL SHOCK HAZARD**

Disconnect power before installing or servicing this product. A qualified service person must install and service this product according to applicable electrical and plumbing codes.

**⚠ WARNING****EXPLOSION OR FIRE HAZARD**

Do not use this product with flammable liquids. Do not install in hazardous locations as defined by National Electrical Code, ANSI/NFPA 70.

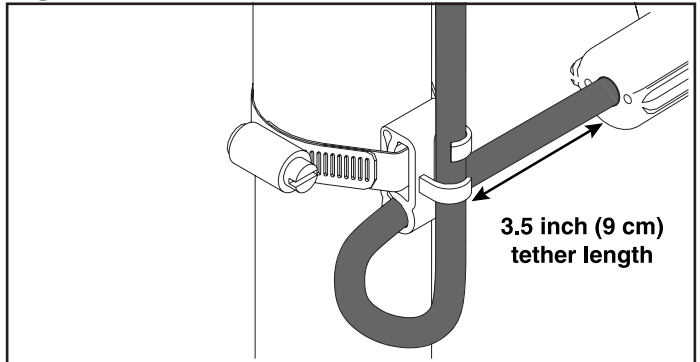
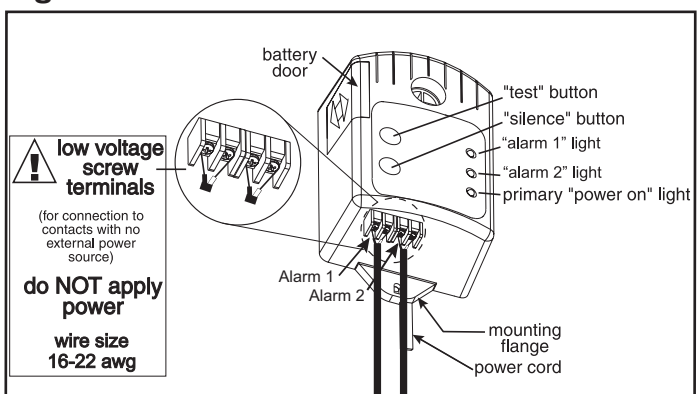
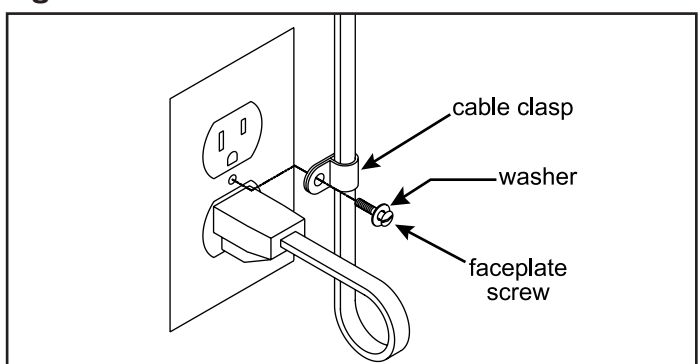


Failure to follow these precautions could result in serious injury or death. Replace product immediately if switch cable becomes damaged or severed. Keep these instructions with warranty after installation. This product must be installed in accordance with National Electric Code, ANSI/NFPA 70 so as to prevent moisture from entering or accumulating within boxes, conduit bodies, fittings, float housing, or cable.

For detailed specifications on this product, or for the complete line of SJE Rhombus® panel, alarm, and switch products, visit our web site at www.sjrhombus.com.

INSTALLING THE ALARM & FLOAT SWITCHES

- Determine indoor mounting location for alarm.
- Insert screw (supplied) at desired wall location.
Note: Screw is to be located over wall stud or used with a wall anchor sized for a #8 X 1.25" self tapping screw.
- Hang alarm using keyhole on back of enclosure. Install second screw in mounting flange located on bottom of alarm.
- Make sure power to alarm is disconnected.
- Place the float switch cord into the clamp as shown in Figure A.
- Locate the clamp at the desired activation level and secure the clamp to the discharge pipe as shown in Figure A.
Note: Do not install cord under hose clamp.
- Tighten the hose clamp using a screwdriver. Over tightening may result in damage to the plastic clamp. Make sure the float cable is not allowed to touch the excess hose clamp band during operation.
Note: All hose clamp components are made of 18-8 stainless steel material. See your SJE Rhombus® supplier for replacements.
- Bring cable leads back to alarm and wire according to Figure B.
Note: When used with a pump application, connect alarm to a circuit separate from the pump circuit. This allows the alarm to operate if the pump circuit fails.
- Open battery door and install 9 VDC alkaline battery (not included). **Battery must be installed for backup alarm to function.** **Note:** The green power on light does not come on when unit is on battery power.
- Plug the alarm in to apply primary power. Verify that the green "power on" light illuminates.
- Check installation by manually tipping each float. The horn will sound and the corresponding "alarm" light should come on.
- Press "silence" button to silence the horn. The horn will silence while the "alarm" light stays on.
- Tip each float back down and press "test" button. Both "alarm" lights and horn will activate.
- Test unit once a week. **Replace battery every 12 months and after each alarm condition** to ensure proper operation. If battery is low, low battery chirp feature will cause the horn to chirp approximately once per minute. Replace battery when this happens.
- Using the provided cable clasp, secure cord to outlet as shown in Figure C. Use existing receptacle faceplate screw and supplied washer.
- Test unit once per week to ensure proper operation.

Figure A**Figure B****Figure C**

Technical Support: +1 800-746-6287

techsupport@sjrhombus.com

www.sjrhombus.com

Technical Support Hours: Monday - Friday, 7 A.M. to 6 P.M. Central Time

PN 1036380C 01/20
© 2020 SJE, Inc. All Rights Reserved.
SJE RHOMBUS is a trademark of SJE, Inc.