

Tank Alert® AB DUO Indoor Alarm

Auxiliary Contacts Wiring Instructions

Connecting to the Auxiliary Contacts



1. Remove the three screws from the back of the enclosure as shown in **Figure A**.
2. Remove the back of the enclosure. Note the position of the power cord in the enclosure. The cord will need to be located in the same manner when the enclosure back is replaced.
3. Determine the location where the auxiliary contact wires will enter the housing. See **Figure B** for recommended location. Before drilling the hole, loosen the circuit board mounting screw and remove the circuit board. See **Figure C**.
4. At the selected location, drill a hole in the enclosure suitable for the strain relief that will be used (strain relief not included).
5. Install strain relief and reinstall the circuit board. Connect wires to the terminal block shown in **Figure C**.
6. Markings on the circuit board show positions for Common (C), Normally Open (NO), and Normally Closed (NC).

7. Position the power cord into place as it was prior to removing the enclosure back as shown in **Figure C**.
8. Reinstall the enclosure back and three screws.
Caution: Do not over torque screws. Screw bosses may become stripped.
9. Note that while testing the installed product, the auxiliary alarm wired to the auxiliary contacts should activate in an alarm condition. The auxiliary alarm should also remain in alarm condition when the silence button on the Tank Alert® AB DUO is pushed.
10. Return to step 3 on the Tank Alert® AB DUO system installation instructions.

Auxiliary Contacts Specifications

Voltage: 120 VAC
Current: 0.5 amps max.

NOTE: This unit includes auxiliary contact option. Due to increased power consumption, if an alarm condition occurs while on battery backup power, this option will reduce the life of the battery.

Figure A

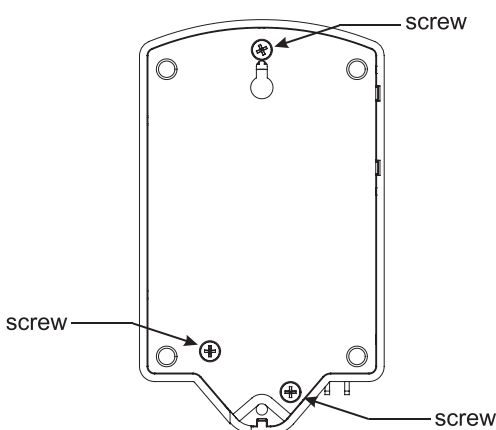


Figure B

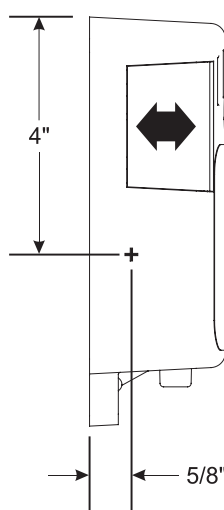
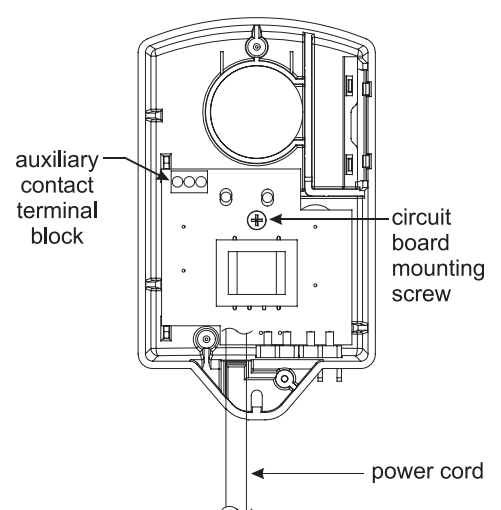


Figure C



Technical Support: +1 800-746-6287
techsupport@sjerhombus.com

www.sjerhombus.com

Technical Support Hours: Monday - Friday, 7 A.M. to 6 P.M. Central Time

PN 1036485B 10/20
© 2012 SJE, Inc. All Rights Reserved.
SJE RHOMBUS is a trademark of SJE, Inc.