

J Series - 5 GPM

A.Y. McDonald offers a full line of no-lead brass submersible pumps built for years of trouble free operation, with high-efficiency impellers and diffusers. These submersibles offer peak capacity performance in 5, 7, 10, 15, 20, and 25 gallons per minute (GPM). Other features include no-lead discharge head with a built-in check valve, and stainless steel shaft and coupling.

All J Series No-Lead Pumps come with a 1 1/4" discharge and sizes range from 1/3 to 1 1/2 horse power (HP). Two or three wire models up to 1 1/2 horse power (HP).

Two Wire Single Phase

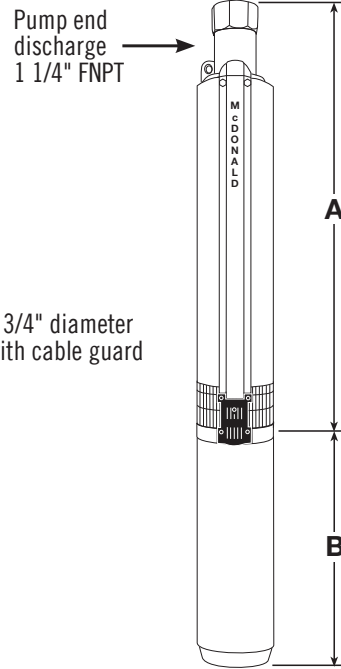
| Model No. | HP | Stages | Volt | A | B | Wt. |
|-----------|-------|--------|------|--------|--------|-----|
| 21030J2A* | 1/3 | 9 | 115 | 13.48" | 9.53" | 26 |
| 21030J2* | 1/3 | 9 | 230 | 13.48" | 9.53" | 26 |
| 21050J2A | 1/2 | 13 | 115 | 16.68" | 9.53" | 30 |
| 21050J2 | 1/2 | 13 | 230 | 16.68" | 9.53" | 30 |
| 21075J2 | 3/4 | 18 | 230 | 20.67" | 10.66" | 36 |
| 21100J2 | 1 | 23 | 230 | 25.93" | 11.75" | 41 |
| 21150J2 | 1 1/2 | 30 | 230 | 31.45" | 15.12" | 49 |

Three Wire** Single Phase

| Model No. | HP | Stages | Volt | A | B | Wt. |
|-----------|-------|--------|------|--------|--------|-----|
| 21030J3A* | 1/3 | 9 | 115 | 13.48" | 9.53" | 26 |
| 21030J3* | 1/3 | 9 | 230 | 13.48" | 9.53" | 26 |
| 21050J3A | 1/2 | 13 | 115 | 16.68" | 9.53" | 30 |
| 21050J3 | 1/2 | 13 | 230 | 16.68" | 9.53" | 30 |
| 21075J3 | 3/4 | 18 | 230 | 20.67" | 10.66" | 36 |
| 21100J3 | 1 | 23 | 230 | 25.93" | 11.75" | 41 |
| 21150J3 | 1 1/2 | 30 | 230 | 31.45" | 13.28" | 41 |

Three Wire Three Phase

| Model No. | HP | Stages | Volt | A | B | Wt. |
|-----------|-------|--------|------|--------|--------|-----|
| 21150J3Z | 1 1/2 | 30 | 230 | 31.45" | 11.75" | 45 |



4" No-Lead Brass Pump Ends

| Model No. | HP | Wt. |
|-----------|-------|-----|
| 21030J | 1/3 | 10 |
| 21050J | 1/2 | 11 |
| 21075J | 3/4 | 13 |
| 21100J | 1 | 15 |
| 21150J | 1 1/2 | 18 |

* All one-third horsepower pumps are furnished with one-half horsepower motors (and control boxes where applicable).

** All three wire pumps are available in three phase by selecting pump end and appropriate motor and starter kit (see pages 108-118).

Output - in Gallons Per Minute (Depth to Water)

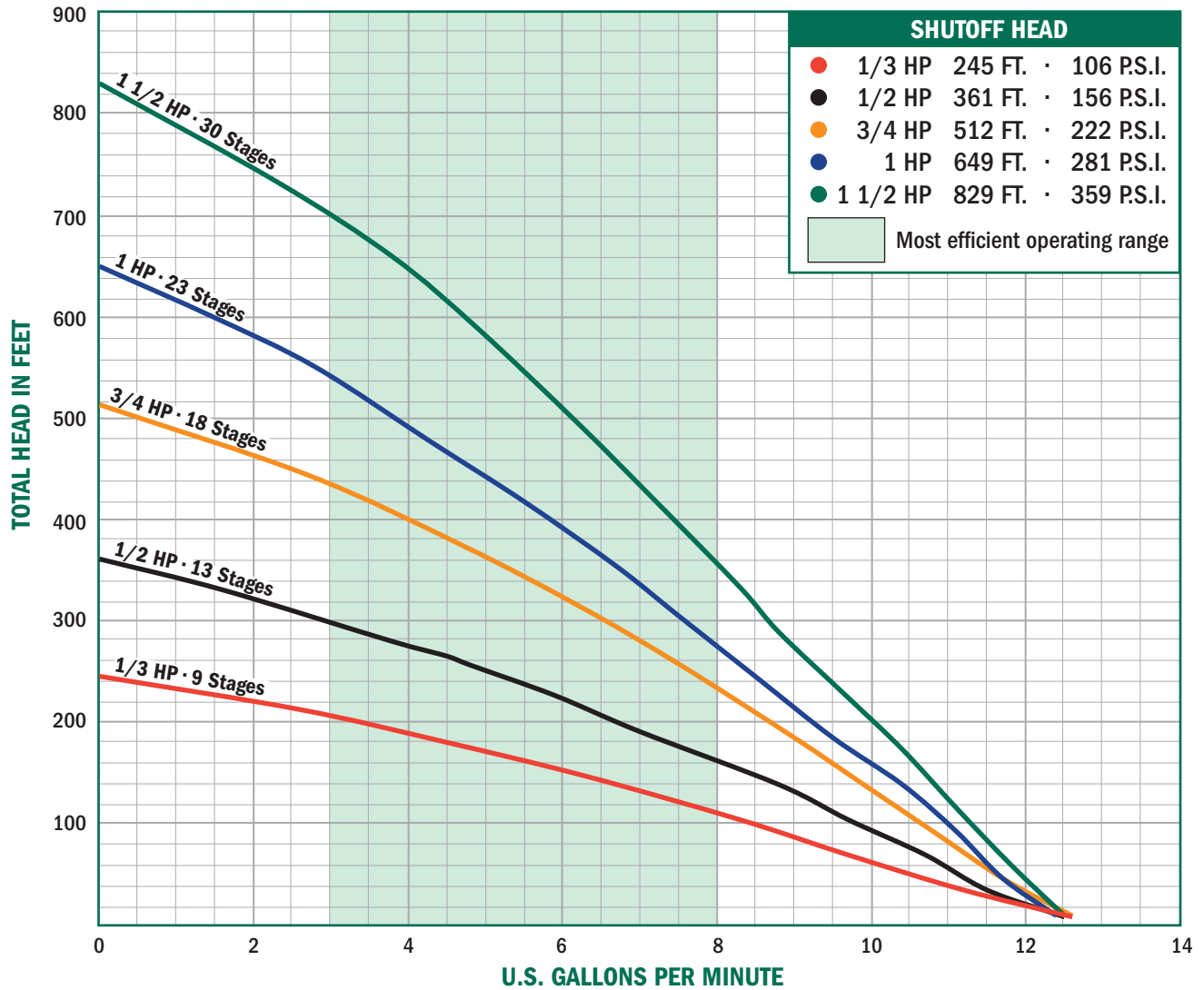
| 1/3 HP | PSI | 25' | 50' | 75' | 100' | 125' | 150' | 175' | 200' | 225' |
|--------|-----|------|------|-----|------|------|------|------|------|------|
| | 0 | 11.7 | 10.6 | 9.5 | 8.4 | 7.3 | 6.1 | 4.8 | 3.4 | 1.8 |
| | 30 | 8.6 | 7.5 | 6.4 | 5.1 | 3.8 | 2.2 | | | |
| | 40 | 7.6 | 6.4 | 5.2 | 3.9 | 2.3 | | | | |
| | 50 | 6.5 | 5.3 | 4.0 | 2.5 | | | | | |

| 1/2 HP | PSI | 25' | 50' | 75' | 100' | 125' | 150' | 175' | 200' | 225' | 250' | 275' | 300' | 325' |
|--------|-----|------|------|------|------|------|------|------|------|------|------|------|------|------|
| | 0 | 11.9 | 11.2 | 10.5 | 9.8 | 9.1 | 8.4 | 7.6 | 6.8 | 6.0 | 5.0 | 4.1 | 3.0 | 1.8 |
| | 30 | 10.0 | 9.2 | 8.5 | 7.8 | 7.0 | 6.1 | 5.3 | 4.3 | 3.2 | 2.1 | | | |
| | 40 | 9.3 | 8.6 | 7.8 | 7.0 | 6.2 | 5.3 | 4.4 | 3.3 | 2.2 | | | | |
| | 50 | 8.6 | 7.9 | 7.1 | 6.3 | 5.4 | 4.4 | 3.4 | 2.3 | | | | | |
| 60 | 7.9 | 7.2 | 6.3 | 5.5 | 4.5 | 3.5 | 2.3 | | | | | | | |

| 3/4 HP | PSI | 25' | 50' | 75' | 100' | 125' | 150' | 175' | 200' | 225' | 250' | 275' | 300' | 325' | 350' | 375' | 400' | 425' | 450' | |
|--------|-----|------|------|------|------|------|------|------|------|------|------|------|------|------|------|------|------|------|------|--|
| | 0 | 12.2 | 11.7 | 11.2 | 10.7 | 10.2 | 9.7 | 9.2 | 8.7 | 8.1 | 7.6 | 7.1 | 6.5 | 5.9 | 5.3 | 4.7 | 4.0 | 3.3 | 2.6 | |
| | 30 | 10.8 | 10.3 | 9.8 | 9.3 | 8.8 | 8.3 | 7.7 | 7.2 | 6.6 | 6.1 | 5.5 | 4.9 | 4.2 | 3.5 | 2.7 | 1.9 | | | |
| | 40 | 10.3 | 9.8 | 9.3 | 8.8 | 8.3 | 7.8 | 7.2 | 6.7 | 6.1 | 5.5 | 4.9 | 4.3 | 3.6 | 2.8 | 2.0 | | | | |
| | 50 | 9.9 | 9.4 | 8.9 | 8.3 | 7.8 | 7.3 | 6.7 | 6.2 | 5.6 | 4.9 | 4.3 | 3.6 | 2.9 | 2.0 | | | | | |
| 60 | 9.4 | 8.9 | 8.4 | 7.9 | 7.3 | 6.8 | 6.2 | 5.6 | 5.0 | 4.4 | 3.7 | 2.9 | 2.1 | | | | | | | |

FRICITION LOSSES IN RISER PIPE HAVE NOT BEEN CALCULATED

J Series - 5 GPM



Submersible Pumps

| PSI | 1 HP | | | | | | | | | | | |
|-----|------|------|------|------|------|------|------|------|------|------|------|------|
| | 50' | 100' | 150' | 200' | 250' | 300' | 350' | 400' | 450' | 500' | 550' | 600' |
| 0 | 11.7 | 10.9 | 10.1 | 9.3 | 8.4 | 7.6 | 6.7 | 5.8 | 4.9 | 3.9 | 2.7 | 1.5 |
| 30 | 10.6 | 9.8 | 9.0 | 8.1 | 7.3 | 6.4 | 5.5 | 4.5 | 3.4 | 2.3 | | |
| 40 | 10.2 | 9.4 | 8.6 | 7.7 | 6.9 | 6.0 | 5.0 | 4.0 | 2.9 | 1.7 | | |
| 50 | 9.9 | 9.0 | 8.2 | 7.3 | 6.4 | 5.5 | 4.6 | 3.5 | 2.4 | | | |
| 60 | 9.5 | 8.6 | 7.8 | 6.9 | 6.0 | 5.1 | 4.1 | 3.0 | 1.8 | | | |

| PSI | 1 1/2 HP | | | | | | | | | | | | |
|-----|----------|------|------|------|------|------|------|------|------|------|------|------|------|
| | 50' | 100' | 150' | 200' | 250' | 300' | 350' | 400' | 450' | 500' | 550' | 600' | 650' |
| 0 | 15.9 | 15.1 | 14.3 | 13.4 | 12.4 | 11.4 | 10.4 | 9.2 | 7.9 | 6.5 | 5.0 | 3.4 | 1.6 |
| 30 | 14.8 | 13.9 | 13.0 | 12.1 | 11.0 | 9.9 | 8.7 | 7.4 | 5.9 | 4.4 | 2.7 | | |
| 40 | 14.4 | 13.5 | 12.6 | 11.6 | 10.5 | 9.4 | 8.1 | 6.7 | 5.2 | 3.6 | 1.9 | | |
| 50 | 14.0 | 13.1 | 12.1 | 11.1 | 10.0 | 8.8 | 7.5 | 6.0 | 4.5 | 2.8 | | | |
| 60 | 13.6 | 12.7 | 11.7 | 10.6 | 9.5 | 8.2 | 6.8 | 5.3 | 3.7 | 2.0 | | | |

FRICITION LOSSES IN RISER PIPE HAVE NOT BEEN CALCULATED