

J Series - 5 GPM

A.Y. McDonald offers a full line of thermoplastic submersible pumps built for years of trouble free operation, with high-efficiency impellers and diffusers. These submersibles offer peak capacity performance in 5, 7, 10, 15, 20, and 25 gallons per minute (GPM). Other features include thermoplastic discharge head with a built-in check valve, and stainless steel shaft and coupling.

All J Series Thermoplastic pumps have 1 1/4" discharge with internal check valve and sizes range from 1/2 to 1 horse power (HP). Two or three wire models up to 1 horse power (HP).

Two Wire Single Phase

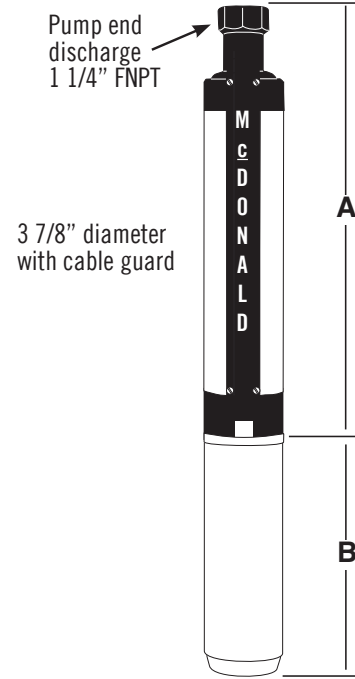
Model No.	HP	Stages	Volt	A	B	Wt.
22050J2	1/2	13	230	17.43"	9.53"	23
22075J2	3/4	18	230	21.42"	10.66"	28
22100J2	1	23	230	26.68"	11.75"	33

Three Wire Single Phase

Model No.	HP	Stages	Volt	A	B	Wt.
22050J3	1/2	13	230	17.43"	9.53"	28
22075J3	3/4	18	230	21.42"	10.66"	36
22100J3	1	23	230	26.68"	11.75"	39

4" Thermoplastic Pump Ends

Model No.	HP	Wt.
22050J	1/2	7
22075J	3/4	11
22100J	1	13



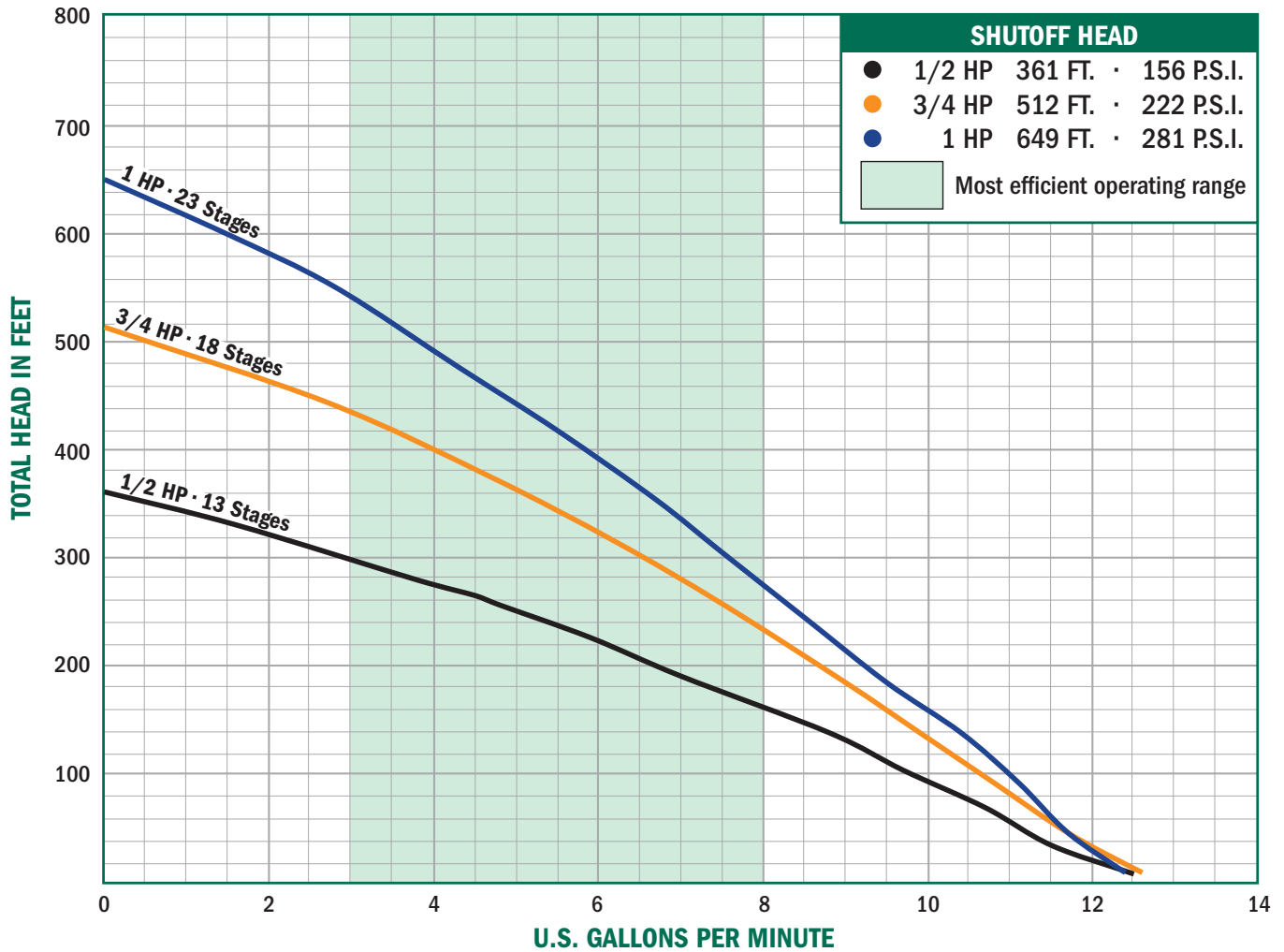
Output - in Gallons Per Minute (Depth to Water)

1/2 HP	PSI	25'	50'	75'	100'	125'	150'	175'	200'	225'	250'	275'	300'	325'
	0	11.9	11.2	10.5	9.8	9.1	8.4	7.6	6.8	6.0	5.0	4.1	3.0	1.8
30	10.0	9.2	8.5	7.8	7.0	6.1	5.3	4.3	3.2	2.1				
40	9.3	8.6	7.8	7.0	6.2	5.3	4.4	3.3	2.2					
50	8.6	7.9	7.1	6.3	5.4	4.4	3.4	2.3						
60	7.9	7.2	6.3	5.5	4.5	3.5	2.3							

3/4 HP	PSI	25'	50'	75'	100'	125'	150'	175'	200'	225'	250'	275'	300'	325'	350'	375'	400'	425'	450'
	0	12.2	11.7	11.2	10.7	10.2	9.7	9.2	8.7	8.1	7.6	7.1	6.5	5.9	5.3	4.7	4.0	3.3	2.6
30	0.8	10.3	9.8	9.3	8.8	8.3	7.7	7.2	6.6	6.1	5.5	4.9	4.2	3.5	2.7	1.9			
40	10.3	9.8	9.3	8.8	8.3	7.8	7.2	6.7	6.1	5.5	4.9	4.3	3.6	2.8	2.0				
50	9.9	9.4	8.9	8.3	7.8	7.3	6.7	6.2	5.6	4.9	4.3	3.6	2.9	2.0					
60	9.4	8.9	8.4	7.9	7.3	6.8	6.2	5.6	5.0	4.4	3.7	2.9	2.1						

FRICITION LOSSES IN RISER PIPE
HAVE NOT BEEN CALCULATED

J Series - 5 GPM



Submersible Pumps

1 HP	PSI	50'	100'	150'	200'	250'	300'	350'	400'	450'	500'	550'	600'
	0	11.7	10.9	10.1	9.3	8.4	7.6	6.7	5.8	4.9	3.9	2.7	1.5
30	0.6	9.8	9.0	8.1	7.3	6.4	5.5	4.5	3.4	2.3			
40	10.2	9.4	8.6	7.7	6.9	6.0	5.0	4.0	2.9	1.7			
50	9.9	9.0	8.2	7.3	6.4	5.5	4.6	3.5	2.4				
60	9.5	8.6	7.8	6.9	6.0	5.1	4.1	3.0	1.8				

FRICITION LOSSES IN RISER PIPE
HAVE NOT BEEN CALCULATED