

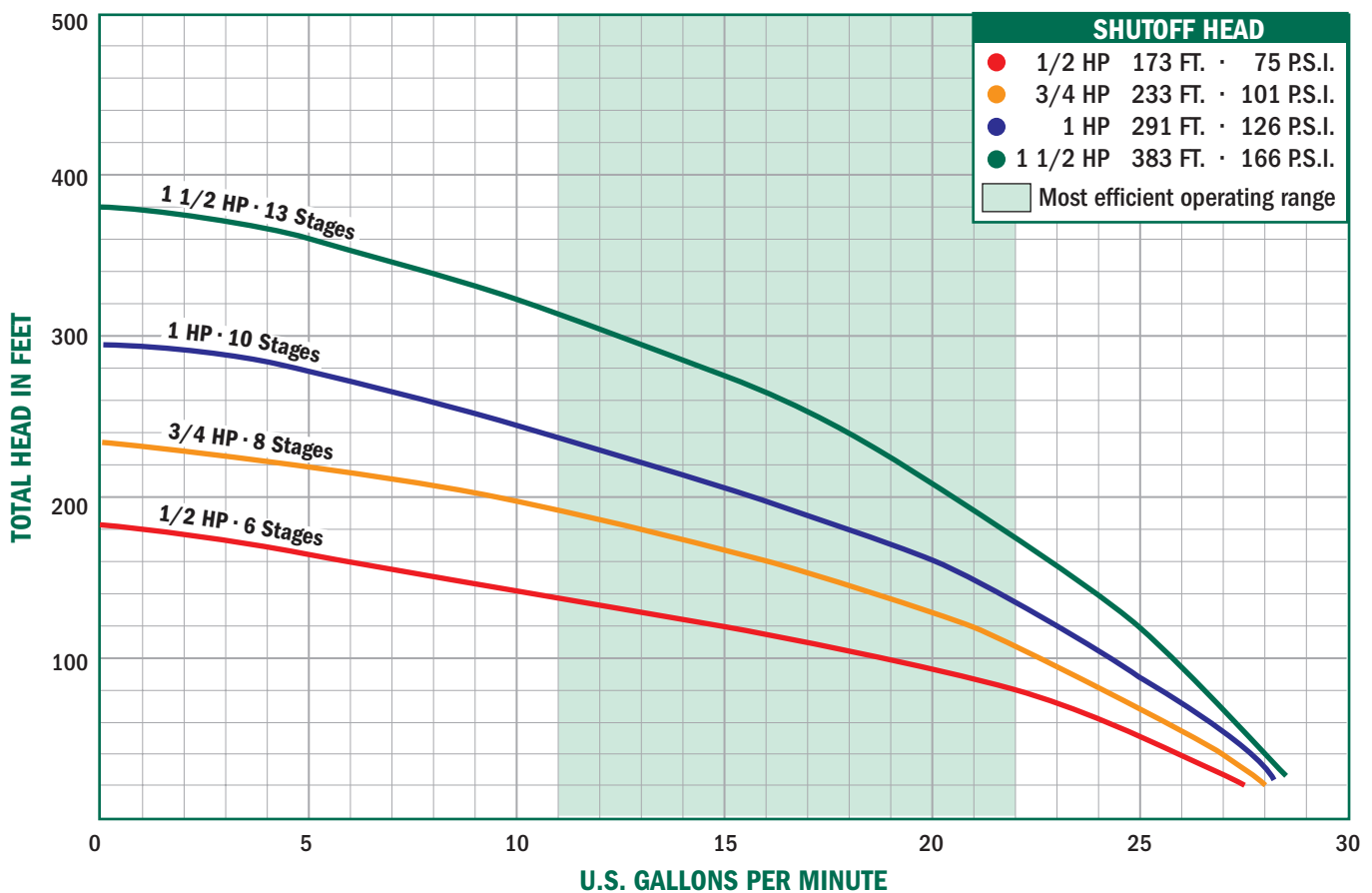
# SUBMITTAL DATA SHEET

22000 Series  
 4" No-Lead Thermoplastic Submersible Pumps  
**L - 15 GPM**



A.Y. McDonald offers a full line of thermoplastic submersible pumps built for years of trouble free operation, with high-efficiency impellers and diffusers. These submersibles offer peak capacity performance in 5, 7, 10, 15, 20, and 25 gallons per minute (GPM). Other features include thermoplastic discharge head with a built-in check valve, and stainless steel shaft and coupling.

All Thermoplastic pumps have 1 1/4" discharge with internal check valve and sizes range from 1/2 to 1 1/2 horsepower (HP). Two or three wire models up to 1 1/2 horsepower (HP).



**NO-LEAD:** The weighted average of the wetted surface of this no-lead product contacted by consumable water contains less than one quarter of one percent (0.25%) lead.



**A.Y. McDonald Mfg. Co.**  
 P.O. Box 508  
 Dubuque, IA 52004-0508

**Toll Free:** 1-800-292-2737  
**Fax:** 1-800-832-9296  
**Hours:** 7:00 a.m. - 5:00 p.m., CST

sales@aymcdonald.com  
 www.aymcdonald.com

A.Y. McDonald considers the information on this assembly drawing correct when published. Item and option availability, including specifications, are subject to change without notice.

**Submitted by:**

# SUBMITTAL DATA SHEET

## 22000 Series 4" No-Lead Thermoplastic Submersible Pumps L - 15 GPM



### Two Wire Single Phase

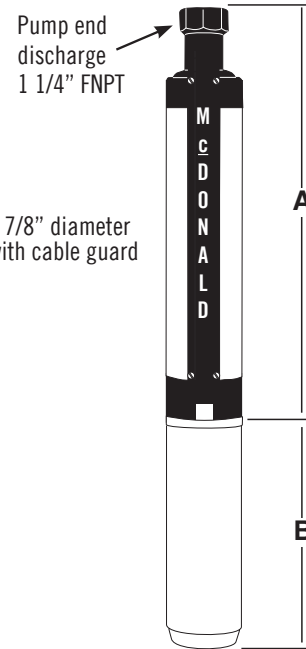
Model No.	HP	Stages	Volt	A	B	Wt.
22050L2A	1/2	6	115	13.55"	9.53"	23
22050L2	1/2	6	230	13.55"	9.53"	23
22075L2	3/4	8	230	15.71"	10.66"	27
22100L2	1	10	230	17.85"	11.75"	31
22150L2	1 1/2	13	230	21.07"	15.12"	39

### Three Wire Single Phase

Model No.	HP	Stages	Volt	A	B	Wt.
22050L3A	1/2	6	115	13.55"	9.53"	23
22050L3	1/2	6	230	13.55"	9.53"	23
22075L3	3/4	8	230	15.71"	10.66"	27
22100L3	1	10	230	17.85"	11.75"	31
22150L3	1 1/2	13	230	21.07"	13.62"	36

### 4" Thermoplastic Pump Ends

Model No.	HP	Wt.
22050L	1/2	6
22075L	3/4	6
22100L	1	9
22150L	1 1/2	9



### Output - in Gallons Per Minute (Depth to Water)

1/2 HP	PSI	25'	50'	75'	100'	125'	150'
	0	28.28	25.58	22.58	19.18	15.14	9.84
30	20.00	16.14	11.23	2.99			
40	16.46	11.66	3.99				
50	12.08	4.85					
60	5.63						

3/4 HP	PSI	25'	50'	75'	100'	125'	150'	175'	200'	225'
	0	28.58	26.69	24.66	22.46	20.05	17.33	14.17	10.21	4.08
30	22.98	20.62	17.98	14.94	11.22	5.91				
40	20.81	18.19	15.19	11.54	6.43					
50	18.40	15.44	11.85	6.92						
60	15.68	12.15	7.38							

1 HP	PSI	25'	50'	75'	100'	125'	150'	175'	200'	225'	250'	300'
	0	28.92	27.42	25.84	24.16	22.37	20.44	18.33	15.97	13.26	9.96	5.33
30	24.55	22.79	20.89	18.83	16.53	13.92	10.78	6.60				
40	22.93	21.04	18.99	16.72	14.13	11.05	6.99					
50	21.19	19.15	16.90	14.34	11.31	7.36						
60	19.31	17.08	14.55	11.56	7.71	0.50						

1 1/2 HP	PSI	50'	100'	150'	200'	250'	300'	350'
	0	28.02	25.72	23.20	20.39	17.15	13.20	7.62
30	24.78	22.16	19.20	15.74	11.35	4.06		
40	23.60	20.84	17.68	13.87	8.68			
50	22.37	19.44	16.03	11.73	4.93			
60	21.06	17.94	14.19	9.16				

FRICITION LOSSES IN RISER PIPE  
HAVE NOT BEEN CALCULATED

NO-LEAD: The weighted average of the wetted surface of this no-lead product contacted by consumable water contains less than one quarter of one percent (0.25%) lead.



A.Y. McDonald Mfg. Co.  
P.O. Box 508  
Dubuque, IA 52004-0508

Toll Free: 1-800-292-2737  
Fax: 1-800-832-9296  
Hours: 7:00 a.m. - 5:00 p.m., CST

sales@aymcdonald.com  
www.aymcdonald.com

A.Y. McDonald considers the information on this assembly drawing correct when published. Item and option availability, including specifications, are subject to change without notice.

Submitted by: