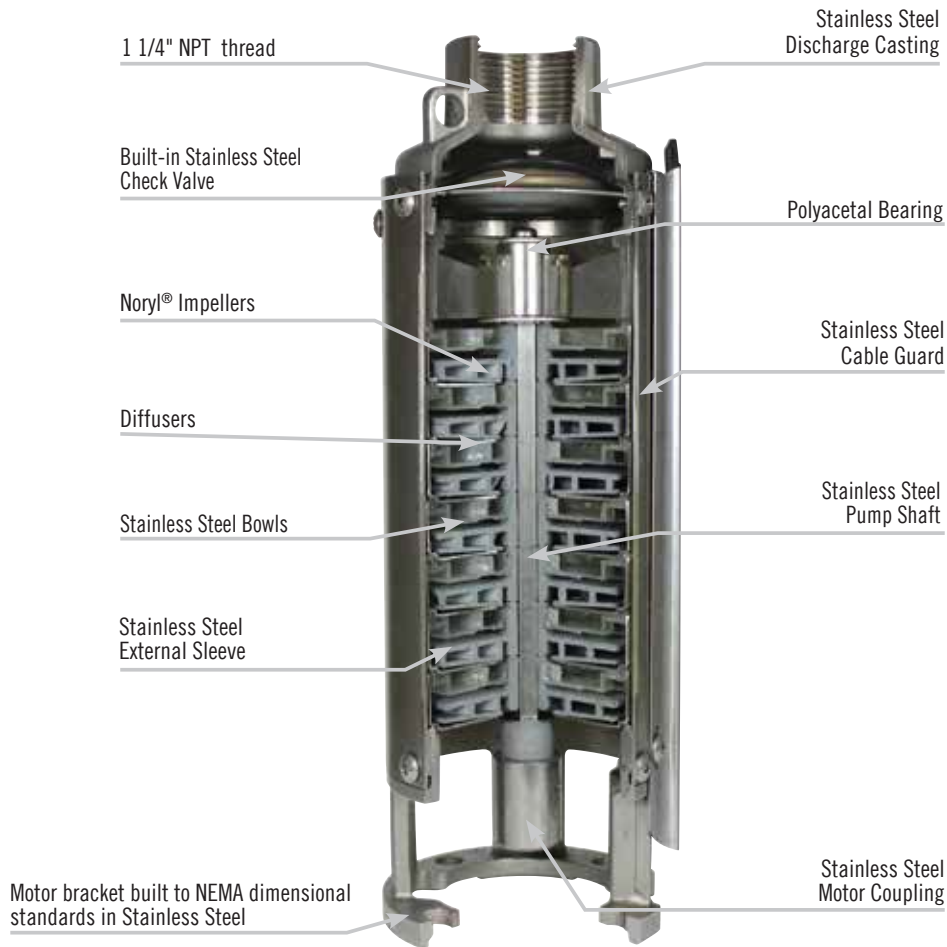


## 24000 Series

A.Y. McDonald offers a full line of 4" submersibles ranging from 1/2 through 5 horsepower, with flow rates ranging from 5 through 25 GPM. Our 24000 submersibles offer peak capacity performance in 5, 7, 10, 15, 20, and 25 GPM models.

Powered by NEMA approved A.Y. McDonald stainless steel motors.

The charts on the following page will assist you in choosing the pump that meets your needs.



Stainless Steel Motor Two or three wire models, with built-in lightning protection on all single phase pumps. Consult factory for three phase.

Cutaway illustrates features and is not indicative of specific model performance.

# Locating the code number on the pump



**A.Y. McDonald Mfg. Co.**  
aymcdonald.com

**MODEL:** 24150J      **HP:** 1/1 2

**GPM:** 5

**S/N:** T1107010010-0065

**DATE CODE:** D C 12C

**MADE IN TAIWAN**

A code appears on each A.Y. McDonald submersible pump. Contained in this code is the following information:

- Pump Model
- Date of manufacture
- Motor HP
- Pump Series

## MATERIALS OF CONSTRUCTION

<b>Discharge Head</b>	Stainless Steel 304, discharge 1 1/4" NPT from 5 GPM to 25 GPM series
<b>Motor Adapter</b>	Stainless Steel 304, NEMA standard
<b>Check Valve</b>	Stainless Steel 304
<b>External Sleeve</b>	Stainless Steel 304 polished
<b>Impellers</b>	Noryl
<b>Diffusers</b>	Polycarbonate
<b>Bearing</b>	Polyacetal
<b>Shaft Coupling</b>	Stainless Steel 304
<b>Strainer</b>	Thermoplastic
<b>Shaft</b>	Stainless Steel 304
<b>Cable Guard</b>	Stainless Steel 304

## NOTES

- **Standard is 230V, Single Phase, 60 HZ (no suffix letter required)**
- **Two-Wire Single phase** models include; pump, motor, leads.
- **Three-Wire Single phase** models include; pump, motor, leads, and control box.
- **Three-Wire Three phase** models include; pump, motor, leads, and starter kit.
- All submersible pumps include **internal check valves and grounded lead on motor.**

## J Series - 5 GPM

All J Series Stainless Steel Submersible Pumps are designed to pump within the 5 GPM range. Sizes are available from 1/2 to 1 1/2 HP. All models are standard with 1 1/4" NPT discharge.

### Two Wire Single Phase

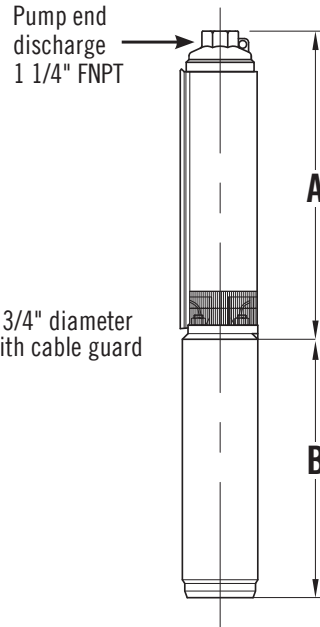
Model No.	HP	Stages	Volt	A	B	Wt.
24050J2A	1/2	12	115	14.1	9.5	26.0
24050J2	1/2	12	230	14.1	9.5	26.0
24075J2	3/4	15	230	16.2	10.6	30.1
24100J2	1	20	230	19.8	11.7	34.8
24150J2	1 1/2	26	230	25.3	15.1	43.8

### Three Wire\*\* Single Phase

Model No.	HP	Stages	Volt	A	B	Wt.
24050J3A	1/2	12	115	14.1	9.5	27.0
24050J3	1/2	12	230	14.1	9.5	27.0
24075J3	3/4	15	230	16.2	10.6	30.1
24100J3	1	20	230	19.8	11.7	34.8
24150J3	1 1/2	26	230	25.3	13.6	40.8

### Three Wire Three Phase

Model No.	HP	Stages	Volt	A	B	Wt.
24150J3Z	1 1/2	26	230	25.3	11.7	36.8



### 4" Stainless Steel Pump Ends

Model No.	HP	Wt.
24050J	1/2	8
24075J	3/4	9
24100J	1	11
24150J	1 1/2	13

\*\* All three wire pumps are available in three phase by selecting pump end and appropriate motor and starter kit (see pages 108-118).

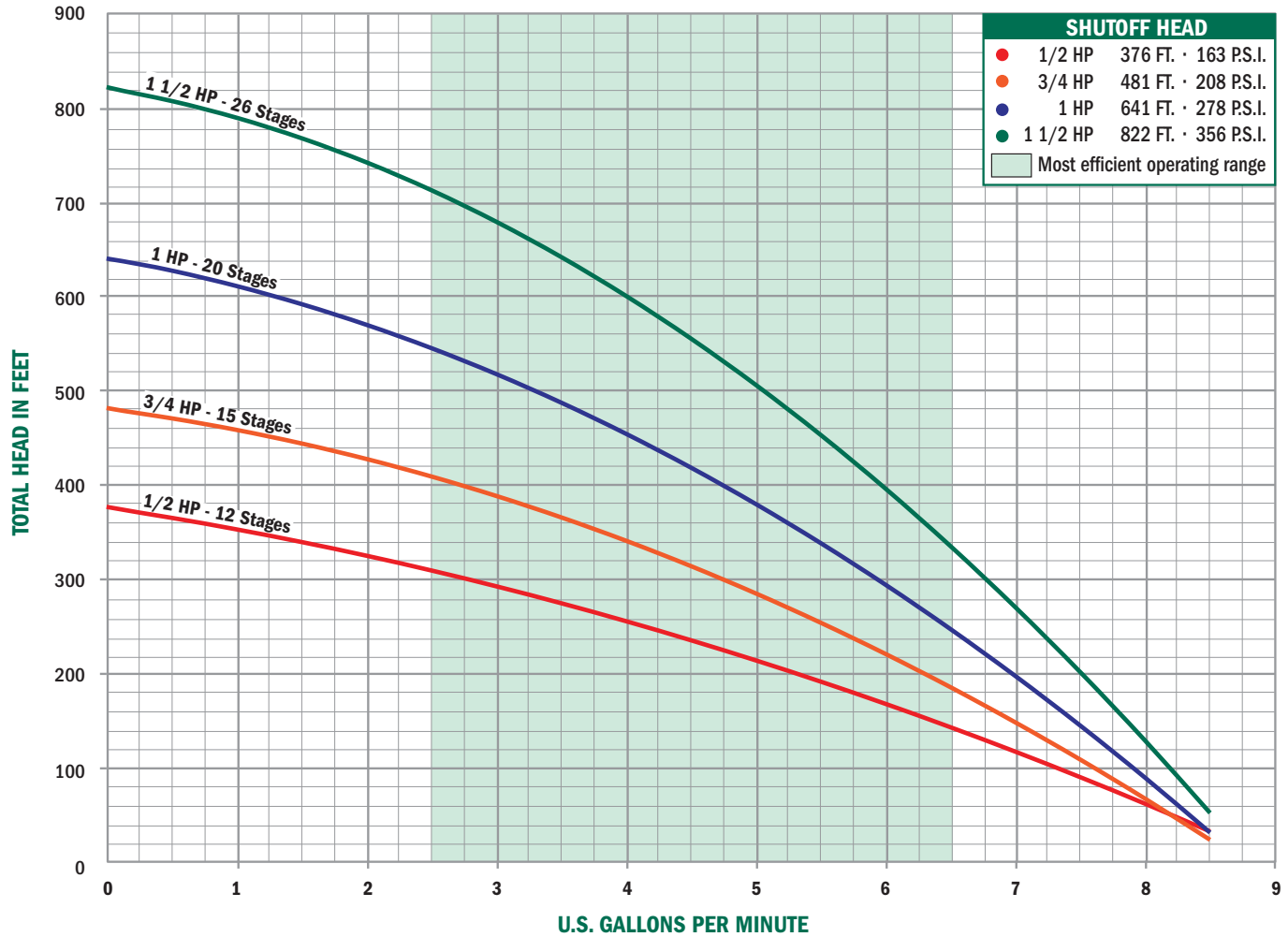
### Output - in Gallons Per Minute (Depth to Water)

1/2 HP	PSI	25'	50'	75'	100'	125'	150'	175'	200'	225'	250'	275'	300'	325'
	0	8.6	8.2	7.8	7.3	6.8	6.4	5.8	5.3	4.7	4.1	3.5	2.8	2.0
30	7.4	7.0	6.5	6.0	5.4	4.9	4.3	3.6	2.9	2.2	1.3			
50	6.5	6.0	5.5	5.0	4.4	3.7	3.1	2.3	1.5					
60	6.1	5.6	5.0	4.4	3.8	3.1	2.4	1.5						

3/4 HP	PSI	25'	50'	75'	100'	125'	150'	175'	200'	225'	250'	275'	300'	325'	350'	375'	400'	425'	450'
	0	8.5	8.2	7.9	7.6	7.3	7.0	6.6	6.3	5.9	5.6	5.2	4.7	4.3	3.8	3.3	2.7	2.1	1.3
30	7.7	7.4	7.0	6.7	6.4	6.0	5.6	5.3	4.8	4.4	3.9	3.4	2.9	2.2	1.5				
50	7.1	6.8	6.4	6.1	5.7	5.3	4.9	4.5	4.0	3.5	3.0	2.3	1.6						
60	6.8	6.5	6.1	5.7	5.3	4.9	4.5	4.0	3.5	3.0	2.4	1.7							

FRICITION LOSSES IN RISER PIPE HAVE NOT BEEN CALCULATED

# J Series - 5 GPM



Submersible Pumps

1 HP	PSI	25'	50'	75'	100'	125'	150'	175'	200'	225'	250'	275'	300'	325'	350'	375'	400'	425'	450'	475'	500'	525'	550'	575'	600'
	0	8.5	8.3	8.1	7.9	7.7	7.4	7.2	7.0	6.7	6.5	6.2	5.9	5.7	5.4	5.1	4.7	4.4	4.1	3.7	3.3	2.9	2.4	1.9	1.3
30	8.0	7.7	7.5	7.3	7.0	6.8	6.5	6.3	6.0	5.7	5.4	5.1	4.8	4.5	4.1	3.8	3.4	3.0	2.5	2.0	1.4				
50	7.5	7.3	7.1	6.8	6.6	6.3	6.0	5.8	5.5	5.2	4.9	4.5	4.2	3.8	3.5	3.0	2.6	2.1	1.5						
60	7.3	7.1	6.8	6.6	6.3	6.1	5.8	5.5	5.2	4.9	4.6	4.2	3.9	3.5	3.1	2.6	2.1	1.6							

1 1/2 HP	PSI	50'	100'	150'	200'	250'	300'	350'	400'	450'	500'	550'	600'	650'	700'	750'	800'	850'
	0	8.5	8.2	7.9	7.5	7.1	6.8	6.4	6.0	5.5	5.1	4.6	4.0	3.4	2.7	1.9		
30	8.1	7.7	7.4	7.0	6.6	6.2	5.8	5.4	4.9	4.4	3.8	3.1	2.4	1.5				
50	7.7	7.4	7.0	6.7	6.3	5.8	5.4	4.9	4.4	3.8	3.2	2.5	1.6					
60	7.6	7.2	6.9	6.5	6.1	5.6	5.2	4.7	4.1	3.5	2.9	2.1						

FRICITION LOSSES IN RISER PIPE HAVE NOT BEEN CALCULATED

## V Series - 7 GPM

All V Series Stainless Steel Submersible Pumps are designed to pump within the 7 GPM range. Sizes are available from 1/2 to 2 HP. All models are standard with 1 1/4" NPT discharge.

### Two Wire Single Phase

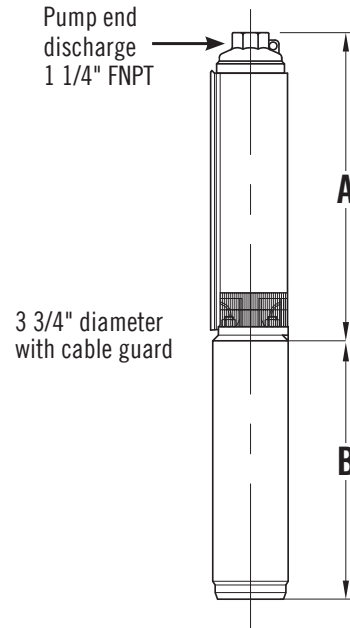
Model No.	HP	Stages	Volt	A	B	Wt.
24050V2A	1/2	10	115	13.0	9.5	25.3
24050V2	1/2	10	230	13.0	9.5	25.3
24075V2	3/4	13	230	15.2	10.6	29.4
24100V2	1	17	230	17.9	11.7	33.9
24150V2	1 1/2	22	230	21.4	15.1	42.9

### Three Wire\*\* Single Phase

Model No.	HP	Stages	Volt	A	B	Wt.
24050V3A	1/2	10	115	13.0	9.5	26.3
24050V3	1/2	10	230	13.0	9.5	26.3
24075V3	3/4	13	230	15.2	10.6	29.4
24100V3	1	17	230	17.9	11.7	33.9
24150V3	1 1/2	22	230	21.5	13.6	39.9
24200V3	2	27	230	26.6	15.1	47.5

### Three Wire Three Phase

Model No.	HP	Stages	Volt	A	B	Wt.
24150V3Z	1 1/2	22	230	21.5	11.7	35.9
24200V3Z	2	27	230	26.6	13.6	42.5



### 4" Stainless Steel Pump Ends

Model No.	HP	Wt.
24050V	1/2	8
24075V	3/4	9
24100V	1	10
24150V	1 1/2	12
24200V	1 1/2	15

\*\* All three wire pumps are available in three phase by selecting pump end and appropriate motor and starter kit (see pages 108-118).

### Output - in Gallons Per Minute (Depth to Water)

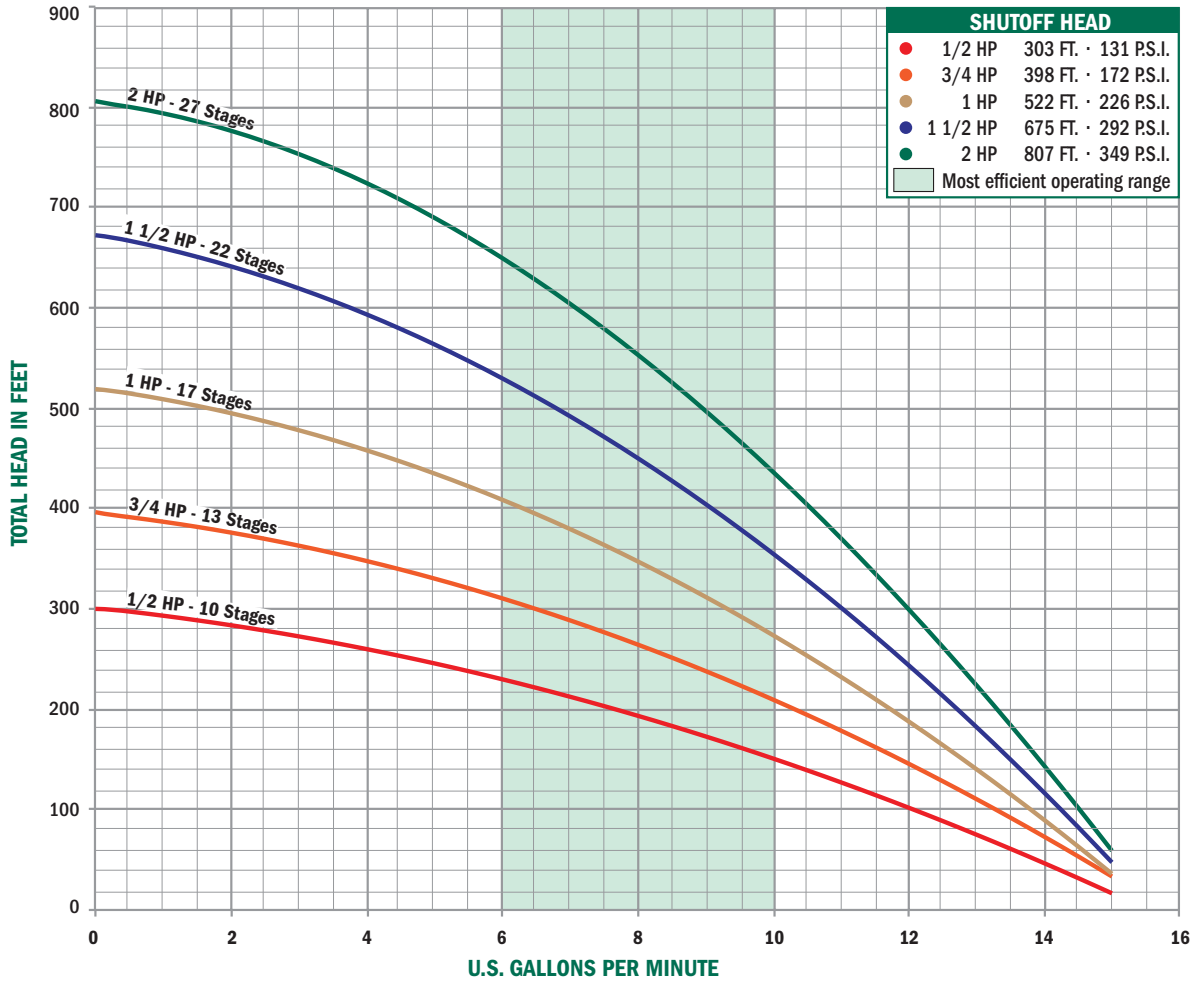
1/2 HP	PSI	25'	50'	75'	100'	125'	150'	175'	200'	225'	250'	275'
	0	14.8	14.0	13.1	12.2	11.2	10.1	9.0	7.8	6.4	4.9	3.0
30	12.4	11.4	10.4	9.3	8.1	6.7	5.2	3.5	1.1			
50	10.5	9.5	8.3	7.0	5.5	3.8	1.5					
60	9.5	8.4	7.1	5.6	3.9	1.7						

3/4 HP	PSI	25'	50'	75'	100'	125'	150'	175'	200'	225'	250'	275'	300'	325'	350'	375'
	0	15.3	14.6	14.0	13.4	12.7	11.9	11.2	10.4	9.5	8.6	7.7	6.6	5.4	4.0	2.3
30	13.5	12.8	12.1	11.4	10.6	9.7	8.9	7.9	6.8	5.7	4.3	2.7				
50	12.2	11.5	10.7	9.9	9.0	8.0	7.0	5.9	4.6	3.0						
60	11.5	10.8	9.9	9.1	8.1	7.1	6.0	4.7	3.1	1.0						

1 HP	PSI	25'	50'	75'	100'	125'	150'	175'	200'	225'	250'	275'	300'	325'	350'	375'	400'	425'	450'	475'	500'
	0	15.2	14.8	14.3	13.8	13.4	12.8	12.3	11.8	11.2	10.6	10.0	9.4	8.7	8.0	7.2	6.4	5.5	4.5	3.3	1.8
30	14.0	13.5	13.0	12.4	11.9	11.4	10.8	10.2	9.5	8.9	8.2	7.4	6.6	5.7	4.7	3.6	2.2				
50	13.0	12.5	12.0	11.4	10.9	10.3	9.6	9.0	8.3	7.5	6.7	5.8	4.9	3.7	2.4						
60	12.6	12.0	11.5	10.9	10.3	9.7	9.0	8.3	7.6	6.8	5.9	4.9	3.8	2.5							

FRICITION LOSSES IN RISER PIPE  
HAVE NOT BEEN CALCULATED

# V Series - 7 GPM



Submersible Pumps

1 1/2 HP	PSI	50'	100'	150'	200'	250'	300'	350'	400'	450'	500'	550'	600'	650'
	0	15.0	14.3	13.5	12.8	11.9	11.1	10.1	9.1	8.1	6.8	5.5	3.8	1.7
	30	14.0	13.2	12.4	11.6	10.7	9.8	8.7	7.6	6.3	4.9	3.1		
	50	13.3	12.5	11.7	10.8	9.8	8.8	7.7	6.4	5.0	3.2			
	60	12.9	12.1	11.3	10.4	9.4	8.3	7.1	5.8	4.2	2.2			

2 HP	PSI	50'	100'	150'	200'	250'	300'	350'	400'	450'	500'	550'	600'	650'	700'	750'	800'
	0	15.1	14.6	14.0	13.3	12.7	12.0	11.3	10.6	9.8	9.0	8.1	7.1	6.0	4.8	3.2	0.7
	30	14.3	13.7	13.1	12.4	11.8	11.0	10.3	9.5	8.7	7.7	6.7	5.6	4.2	2.4	0.8	
	50	13.8	13.1	12.5	11.8	11.1	10.4	9.6	8.7	7.8	6.8	5.7	4.3	2.6			
	60	13.5	12.8	12.2	11.5	10.8	10.0	9.2	8.3	7.4	6.3	5.1	3.6	1.5			

FRICITION LOSSES IN RISER PIPE HAVE NOT BEEN CALCULATED

## K Series - 10 GPM

All K Series Stainless Steel Submersible Pumps are designed to pump within the 10 GPM range. Sizes are available from 1/2 to 5 HP. All models are standard with 1 1/4" NPT discharge.

### Two Wire Single Phase

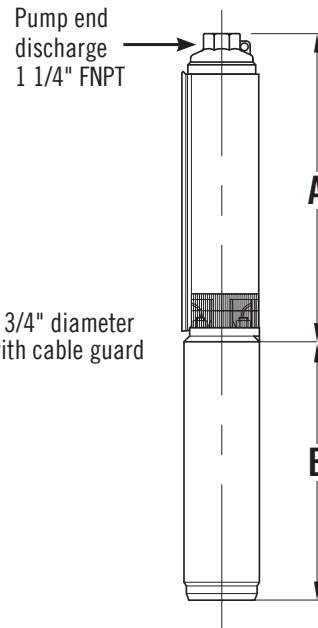
Model No.	HP	Stages	Volt	A	B	Wt.
24050K2A	1/2	7	115	10.7	9.5	24.2
24050K2	1/2	7	230	10.7	9.5	24.2
24075K2	3/4	10	230	12.8	10.6	28.3
24100K2	1	12	230	14.1	11.7	32.0
24150K2	1 1/2	17	230	17.6	15.1	40.7

### Three Wire\*\* Single Phase

Model No.	HP	Stages	Volt	A	B	Wt.
24050K3A	1/2	7	115	10.7	9.5	25.2
24050K3	1/2	7	230	10.7	9.5	25.2
24075K3	3/4	10	230	12.8	10.6	28.3
24100K3	1	12	230	14.1	11.7	32.0
24150K3	1 1/2	17	230	17.6	13.6	37.7
24200K3	2	20	230	19.6	15.1	43.8
24300K3	3	27	230	26.0	19.0	54.3
24500K3	5	42	230	36.1	29.2	90.0

### Three Wire Three Phase

Model No.	HP	Stages	Volt	A	B	Wt.
24150K3Z	1 1/2	17	230	17.6	11.7	33.7
24200K3Z	2	20	230	19.6	13.6	38.8
24300K3Z	3	27	230	26.0	16.0	48.3
24500K3Z	5	42	230	36.1	23.2	75.0



### 4" Stainless Steel Pump Ends

Model No.	HP	Wt.
24050K	1/2	8
24075K	3/4	9
24100K	1	10
24150K	1 1/2	12
24200K	1 1/2	15

\*\* All three wire pumps are available in three phase by selecting pump end and appropriate motor and starter kit (see pages 108-118).

### Output - in Gallons Per Minute (Depth to Water)

1/2 HP	PSI	25'	50'	75'	100'	125'	150'	175'	200'
	0	19.2	17.8	16.3	14.7	12.9	10.9	8.5	5.2
30	15.1	13.4	11.4	9.1	6.1				
50	11.7	9.5	6.6						
60	9.7	6.9							

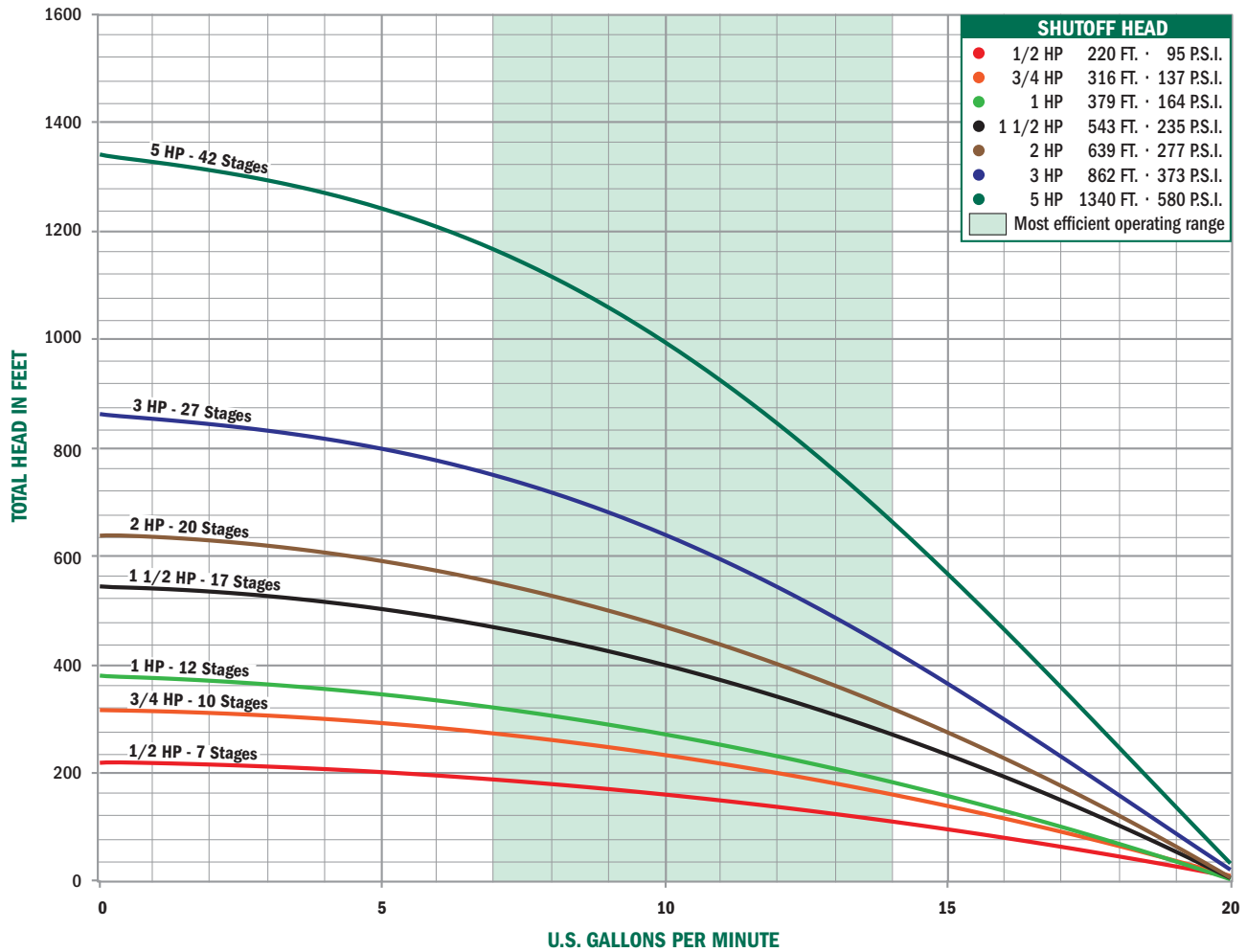
3/4 HP	PSI	25'	50'	75'	100'	125'	150'	175'	200'	225'	250'	275'	300'
	0	19.5	18.6	17.6	16.7	15.6	14.5	13.3	12.0	10.5	8.8	6.8	3.9
30	16.9	15.9	14.8	13.6	12.3	10.9	9.2	7.3	4.7				
50	14.9	13.8	12.5	11.1	9.5	7.6	5.2						
60	13.9	12.6	11.2	9.6	7.8	5.4							

1 HP	PSI	25'	50'	75'	100'	125'	150'	175'	200'	225'	250'	275'	300'	325'	350'	375'
	0	19.4	18.6	17.8	17.0	16.2	15.3	14.3	13.3	12.3	11.1	9.8	8.4	6.7	4.5	1.0
30	17.2	16.4	15.5	14.6	13.6	12.5	11.4	10.1	8.7	7.1	5.1	2.1				
50	15.6	14.7	13.7	12.7	11.5	10.3	8.9	7.3	5.4	2.7						
60	14.8	13.8	12.8	11.6	10.4	9.0	7.5	5.6	3.0							

1 1/2 HP	PSI	50'	100'	150'	200'	250'	300'	350'	400'	450'	500'
	0	19.1	18.1	17.0	15.8	14.6	13.2	11.7	10.0	7.9	5.2
30	17.7	16.6	15.4	14.1	12.6	11.1	9.2	7.0	3.7		
50	16.6	15.5	14.2	12.8	11.2	9.4	7.2	4.0			
60	16.1	14.9	13.5	12.1	10.4	8.4	5.9				

FRICION LOSSES IN RISER PIPE  
HAVE NOT BEEN CALCULATED

# K Series - 10 GPM



Submersible Pumps

2 HP	PSI	50'	100'	150'	200'	250'	300'	350'	400'	450'	500'	550'	600'
	0	19.3	18.4	17.5	16.5	15.5	14.4	13.3	12.0	10.6	9.0	7.1	4.5
30	18.1	17.1	16.2	15.1	14.0	12.8	11.5	10.0	8.3	6.2	3.0		
50	17.2	16.2	15.2	14.1	12.9	11.6	10.1	8.4	6.4	3.3			
60	16.8	15.8	14.7	13.6	12.3	10.9	9.4	7.5	5.1				

3 HP	PSI	50'	100'	150'	200'	250'	300'	350'	400'	450'	500'	550'	600'	650'	700'	750'	800'	850'
	0	19.6	18.9	18.2	17.4	16.7	16.0	15.2	14.4	13.6	12.8	11.9	10.9	9.8	8.5	7.0	4.9	1.4
30	18.6	17.9	17.2	16.4	15.7	14.9	14.1	13.3	12.4	11.5	10.5	9.3	8.0	6.3	3.8			
50	17.9	17.2	16.5	15.8	15.0	14.2	13.4	12.5	11.6	10.5	9.4	8.1	6.4	4.1				
60	17.6	16.9	16.2	15.4	14.6	13.8	13.0	12.1	11.2	10.0	8.8	7.4	5.5					

5 HP	PSI	50'	100'	150'	200'	250'	300'	350'	400'	450'	500'	550'	600'	650'	700'	750'	800'	850'	900'	950'	1000'	1050'	1100'	1150'	1200'	1250'	1300'
	0	19.8	19.4	18.9	18.5	18.0	17.5	17.1	16.6	16.1	15.7	15.2	14.7	14.2	13.6	13.1	12.5	11.9	11.3	10.6	9.9	9.2	8.3	7.3	6.2	4.7	2.7
30	19.2	18.7	18.3	17.8	17.4	16.9	16.4	16.0	15.5	15.0	14.5	14.0	13.4	12.9	12.3	11.7	11.1	10.4	9.6	8.8	7.9	6.9	5.7	4.0	1.5		
50	18.8	18.3	17.9	17.4	16.9	16.5	16.0	15.5	15.0	14.5	14.0	13.5	12.9	12.3	11.7	11.1	10.4	9.7	8.9	8.0	7.0	5.8	4.2				
60	18.6	18.1	17.6	17.2	16.7	16.2	15.8	15.3	14.8	14.3	13.8	13.2	12.7	12.1	11.5	10.8	10.1	9.3	8.5	7.6	6.5	5.1	3.2				

FRICITION LOSSES IN RISER PIPE HAVE NOT BEEN CALCULATED



## L Series - 15 GPM

All L Series Stainless Steel Submersible Pumps are designed to pump within the 15 GPM range. Sizes are available from 1/2 to 5 HP. All models are standard with 1 1/4" NPT discharge.

### Two Wire Single Phase

Model No.	HP	Stages	Volt	A	B	Wt.
24050L2A	1/2	5	115	9.3	9.5	23.5
24050L2	1/2	5	230	9.3	9.5	23.5
24075L2	3/4	7	230	10.7	10.6	27.2
24100L2	1	10	230	12.8	11.7	31.1
24150L2	1 1/2	12	230	14.1	15.1	38.7

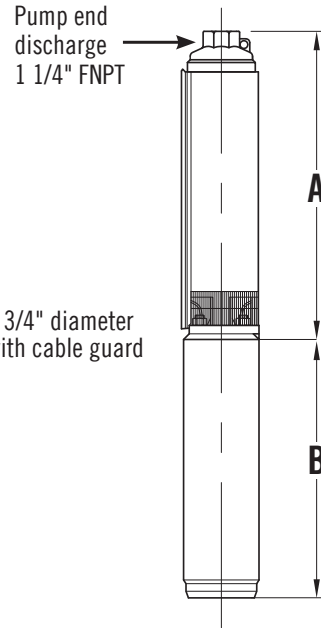
### Three Wire\*\* Single Phase

Model No.	HP	Stages	Volt	A	B	Wt.
24050L3A	1/2	5	115	9.3	9.5	24.5
24050L3	1/2	5	230	9.3	9.5	24.5
24075L3	3/4	7	230	10.7	10.6	27.2
24100L3	1	10	230	12.8	11.7	31.1
24150L3	1 1/2	12	230	14.1	13.6	35.7
24200L3	2	17	230	17.6	15.1	42.5
24300L3	3	21	230	20.4	19.0	52.1
24500L3	5	35	230	31.6	29.2	88.0

### Three Wire Three Phase

Model No.	HP	Stages	Volt	A	B	Wt.
24150L3Z	1 1/2	12	230	14.1	11.7	31.7
24200L3Z	2	17	230	17.6	13.6	37.5
24300L3Z	3	21	230	20.4	16.0	46.1
24500L3Z	5	35	230	31.6	23.2	73.0

\*\* All three wire pumps are available in three phase by selecting pump end and appropriate motor and starter kit (see pages 108-118).



### 4" Stainless Steel Pump Ends

Model No.	HP	Wt.
24050L	1/2	6
24075L	3/4	7
24100L	1	8
24150L	1 1/2	9
24200L	2	10
24300L	3	12
24500L	5	17

### Output - in Gallons Per Minute (Depth to Water)

1/2 HP	PSI	25'	50'	75'	100'	125'	150'
	0	22.7	20.4	17.8	14.6	10.6	3.1
	30	15.4	11.7	5.8	9.1	6.1	
	50	7.0	9.5	6.6			

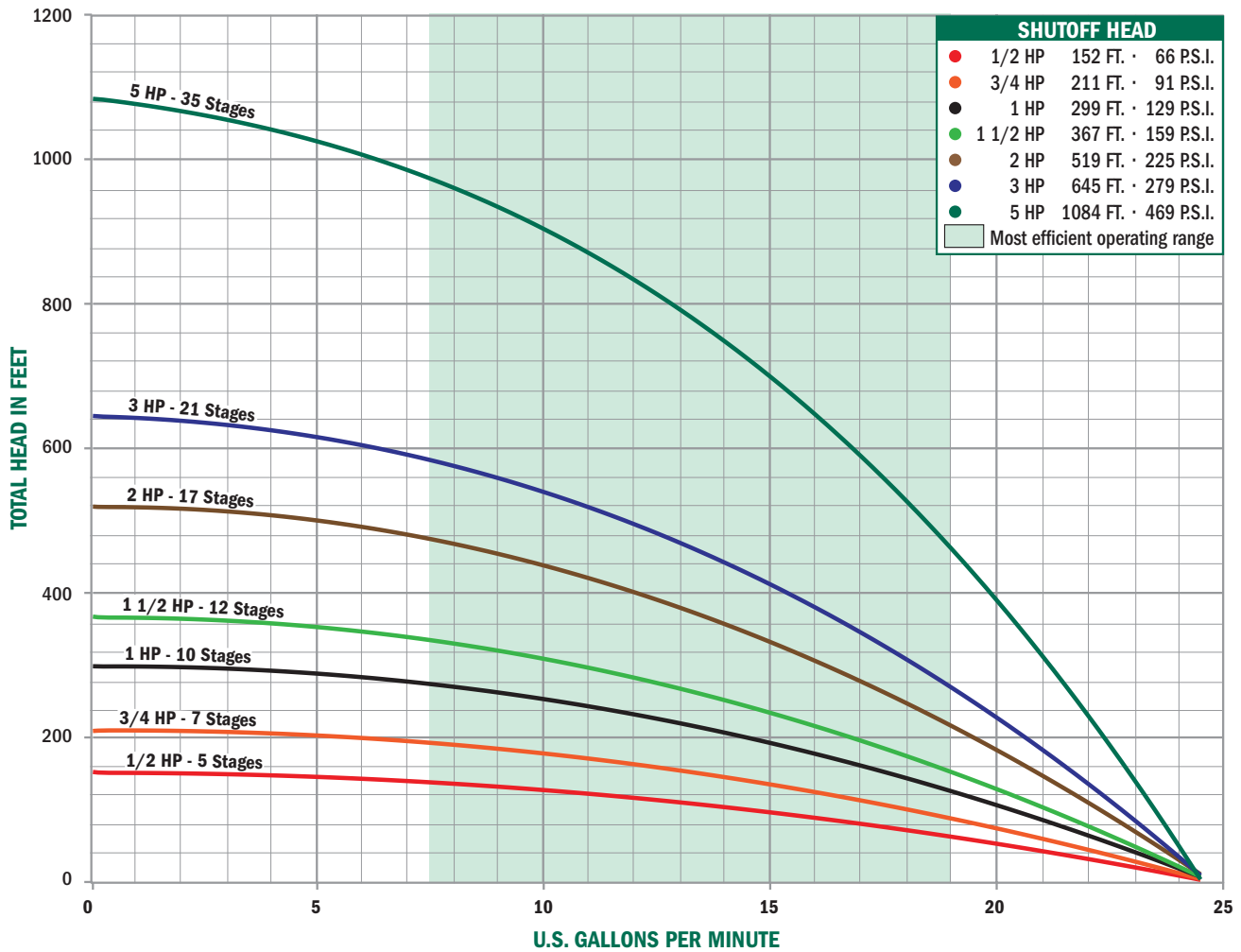
3/4 HP	PSI	25'	50'	75'	100'	125'	150'	175'	200'
	0	23.3	21.7	20.0	18.1	16.0	13.6	10.5	6.0
	30	18.6	16.5	14.2	11.3	7.3			
	50	14.6	11.8	8.1					
60	12.0	8.4							

1 HP	PSI	25'	50'	75'	100'	125'	150'	175'	200'	225'	250'	275'
	0	23.8	22.7	21.6	20.4	19.1	17.7	16.2	14.5	12.6	10.4	7.4
	30	20.6	19.4	18.0	6.6	14.9	13.1	10.9	8.2	3.6		
	50	18.2	16.8	15.2	13.4	11.3	8.7	4.7				
60	16.9	15.3	13.5	11.5	8.9	5.1						

1 1/2 HP	PSI	25'	50'	75'	100'	125'	150'	175'	200'	225'	250'	275'	300'	325'	350'
	0	23.9	23.1	22.1	21.2	20.2	19.1	18.0	16.8	15.5	14.1	12.6	10.8	8.6	5.6
	30	21.4	20.4	19.4	18.3	17.1	15.8	14.5	12.9	11.2	9.1	6.4			
	50	19.5	18.4	17.3	16.0	14.7	13.2	11.5	9.5	6.9					
60	18.5	17.4	16.1	14.8	13.3	11.6	9.6	7.1							

FRICITION LOSSES IN RISER PIPE  
HAVE NOT BEEN CALCULATED

# L Series - 15 GPM



Submersible Pumps

2 HP	PSI	50'	100'	150'	200'	250'	300'	350'	400'	450'	500'
	0	23.6	22.3	21.0	19.5	17.9	16.2	14.3	12.1	9.3	5.1
	30	21.8	20.4	18.9	17.3	15.5	13.5	11.1	7.9		
	50	20.5	19.0	17.4	15.7	13.7	11.3	8.2			
	60	19.8	18.3	16.6	14.8	12.6	10.0	6.3			

3 HP	PSI	50'	100'	150'	200'	250'	300'	350'	400'	450'	500'	550'	600'
	0	23.8	22.8	21.7	20.6	19.5	18.2	16.9	15.4	13.7	11.8	9.5	6.4
	30	22.4	21.3	20.2	19.0	17.7	16.3	14.8	13.0	11.0	8.4	4.7	
	50	21.4	20.3	19.1	17.8	16.4	14.9	13.2	11.1	8.6	5.0		
	60	20.9	19.8	18.5	17.2	15.7	14.1	12.3	10.1	7.2	2.0		

5 HP	PSI	50'	100'	150'	200'	250'	300'	350'	400'	450'	500'	550'	600'	650'	700'	750'	800'	850'	900'	950'	1000'
	0	24.0	23.5	23.0	22.4	21.8	21.2	20.5	19.9	19.2	18.4	17.6	16.8	15.9	15.0	14.0	12.8	11.5	10.1	8.4	6.3
	30	23.3	22.7	22.2	21.6	20.9	20.3	19.6	18.9	18.1	17.3	16.5	15.6	14.6	13.5	12.3	11.0	9.5	7.7	5.3	
	50	22.8	22.2	21.6	21.0	20.3	19.7	18.9	18.2	17.4	16.6	15.6	14.7	13.6	12.4	11.1	9.6	7.8	5.5		
	60	22.5	21.9	21.3	20.7	20.0	19.3	18.6	17.8	17.0	16.1	15.2	14.2	13.1	11.9	10.5	8.8	6.8			

FRICITION LOSSES IN RISER PIPE HAVE NOT BEEN CALCULATED

## P Series - 20 GPM

All P Series Stainless Steel Submersible Pumps are designed to pump within the 20 GPM range. Sizes are available from 1/2 to 5 HP. All models are standard with 1 1/4" NPT discharge.

### Two Wire Single Phase

Model No.	HP	Stages	Volt	A	B	Wt.
24050P2A	1/2	5	115	10.1	9.5	24.0
24050P2	1/2	5	230	10.1	9.5	24.0
24075P2	3/4	6	230	11.0	10.6	27.2
24100P2	1	8	230	12.7	11.7	30.9
24150P2	1 1/2	11	230	15.2	15.1	39.0

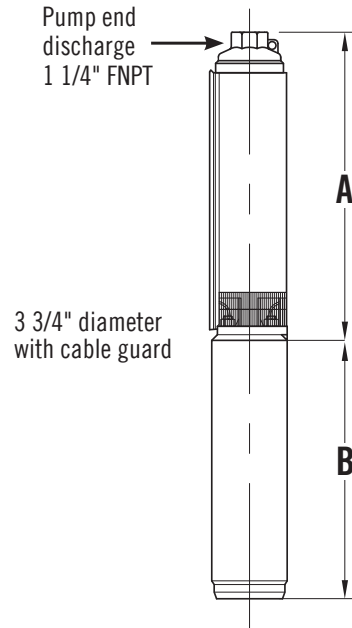
### Three Wire\*\* Single Phase

Model No.	HP	Stages	Volt	A	B	Wt.
24050P3A	1/2	5	115	10.1	9.5	25.0
24050P3	1/2	5	230	10.1	9.5	25.0
24075P3	3/4	6	230	11.0	10.6	27.2
24100P3	1	8	230	12.7	11.7	30.9
24150P3	1 1/2	11	230	15.2	13.6	36.0
24200P3	2	14	230	17.8	15.1	42.1
24300P3	3	19	230	22.0	19.0	51.8
24500P3	5	30	230	32.6	29.2	87.0

### Three Wire Three Phase

Model No.	HP	Stages	Volt	A	B	Wt.
24150P3Z	1 1/2	11	230	15.2	11.7	32.0
24200P3Z	2	14	230	17.8	13.6	37.1
24300P3Z	3	19	230	22.0	16.0	45.8
24500P3Z	5	30	230	32.6	23.2	72.0

\*\* All three wire pumps are available in three phase by selecting pump end and appropriate motor and starter kit (see pages 108-118).



### 4" Stainless Steel Pump Ends

Model No.	HP	Wt.
24050P	1/2	6
24075P	3/4	7
24100P	1	8
24150P	1 1/2	9
24200P	2	10
24300P	3	12
24500P	5	17

### Output - in Gallons Per Minute (Depth to Water)

1/2 HP	PSI	25'	50'	75'	100'	125'
	0	30.3	26.8	22.8	18.0	11.6
	30	19.2	13.3			
	50	4.8				

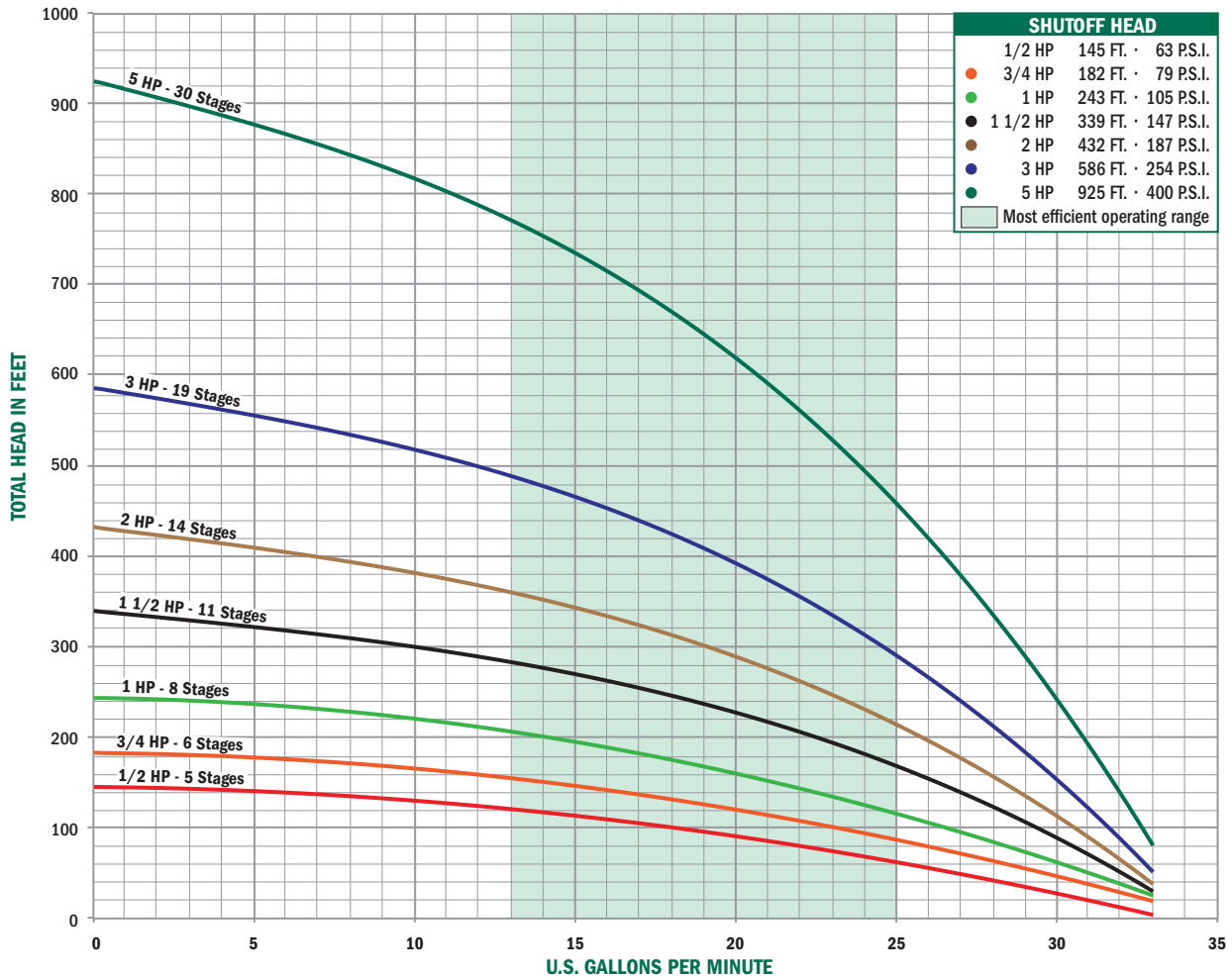
3/4 HP	PSI	25'	50'	75'	100'	125'	150'	175'
	0	32.3	29.6	26.5	23.1	19.1	14.1	6.2
	30	23.9	20.1	15.4	8.6			
	50	16.2	9.9					
60	10.5							

1 HP	PSI	25'	50'	75'	100'	125'	150'	175'	200'	225'
	0	33.0	31.0	28.8	26.5	24.0	21.2	18.0	14.1	8.8
	30	27.1	24.6	21.9	18.7	15.1	10.2			
	50	22.3	19.2	15.7	11.1					
60	19.5	16.0	11.5							

1 1/2 HP	PSI	25'	50'	75'	100'	125'	150'	175'	200'	225'	250'	275'	300'	325'
	0	33.2	32.0	30.7	29.4	27.9	26.3	24.5	22.5	20.2	17.5	14.2	9.9	4.1
	30	29.7	28.2	26.6	24.9	23.0	20.7	18.2	15.0	11.0	5.6			
	50	26.9	25.2	23.3	21.1	18.6	15.5	11.7	6.5					
60	25.3	23.4	21.3	18.8	15.8	12.0	7.0							

FRICION LOSSES IN RISER PIPE  
HAVE NOT BEEN CALCULATED

# P Series - 20 GPM



Submersible Pumps

2 HP	PSI	25'	50'	75'	100'	125'	150'	175'	200'	225'	250'	275'	300'	325'	350'	375'	400'
	0	33.5	32.5	31.6	30.5	29.5	28.3	27.1	25.8	24.3	22.8	21.1	19.1	16.9	14.2	10.9	6.8
	30	30.8	29.7	28.6	27.4	26.1	24.7	23.2	21.5	19.6	17.4	14.8	11.8	7.8			
	50	28.8	27.6	26.3	24.9	23.4	21.7	19.9	17.7	15.3	12.3	8.5					
	60	27.7	26.4	25.0	23.5	21.9	20.0	17.9	15.5	12.5	8.8						

3 HP	PSI	50'	100'	150'	200'	250'	300'	350'	400'	450'	500'	550'
	0	33.0	31.6	30.1	28.4	26.6	24.6	22.3	19.5	16.2	11.9	5.8
	30	31.0	29.5	27.8	25.9	23.7	21.3	18.3	14.7	9.8	2.8	
	50	29.6	27.9	26.0	23.9	21.5	18.6	15.0	10.2	3.4		
	60	28.8	27.1	25.1	22.8	20.2	17.0	13.0	7.4			

5 HP	PSI	50'	100'	150'	200'	250'	300'	350'	400'	450'	500'	550'	600'	650'	700'	750'	800'	850'	900'
	0	33.5	32.7	31.8	30.8	29.8	28.8	27.7	26.5	25.2	23.8	22.3	20.7	18.8	16.7	14.2	11.2	7.4	2.7
	30	32.3	31.4	30.4	29.4	28.4	27.2	26.0	24.7	23.3	21.7	20.0	18.0	15.8	13.1	9.8	5.7		
	50	31.5	30.5	29.5	28.4	27.3	26.1	24.8	23.4	21.8	20.1	18.2	16.0	13.3	10.1	6.0			
	60	31.0	30.1	29.0	27.9	26.8	25.5	24.2	22.7	21.1	19.3	17.2	14.8	11.9	8.4	3.8			

FRICITION LOSSES IN RISER PIPE HAVE NOT BEEN CALCULATED

## M Series - 25 GPM

All M Series Stainless Steel Submersible Pumps are designed to pump within the 25 GPM range. Sizes are available from 1 to 5 HP. All models are standard with 1 1/4" NPT discharge.

Submersible Pumps

### Two Wire Single Phase

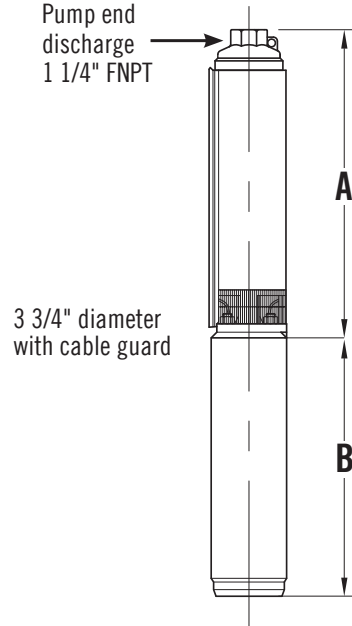
Model No.	HP	Stages	Volt	A	B	Wt.
24100M2	1	7	230	12.6	11.7	30.9
24150M2	1 1/2	9	230	14.6	15.1	38.7

### Three Wire\*\* Single Phase

Model No.	HP	Stages	Volt	A	B	Wt.
24100M3	1	7	230	12.6	11.7	30.9
24150M3	1 1/2	9	230	14.6	13.6	35.7
24200M3	2	11	230	16.5	15.1	41.6
24300M3	3	15	230	20.4	19.0	51.4
24500M3	5	26	230	32.5	29.2	86.7

### Three Wire Three Phase

Model No.	HP	Stages	Volt	A	B	Wt.
24150M3Z	1 1/2	9	230	14.6	11.7	31.7
24200M3Z	2	11	230	16.5	13.6	36.6
24300M3Z	3	15	230	20.4	16.0	45.4
24500M3Z	5	26	230	32.5	23.2	71.7



### 4" Stainless Steel Pump Ends

Model No.	HP	Wt.
24100M	1	7
24150M	1 1/2	9
24200M	2	10
24300M	3	12
24500M	5	16

\*\* All three wire pumps are available in three phase by selecting pump end and appropriate motor and starter kit (see pages 108-118).

### Output - in Gallons Per Minute (Depth to Water)

1 HP	PSI	25'	50'	75'	100'	125'	150'	175'	200'
	0	38.5	35.9	33.0	29.8	26.2	22.0	16.6	7.7
	30	30.5	27.0	23.0	18.0	10.5			
	50	23.7	18.8	12.0					

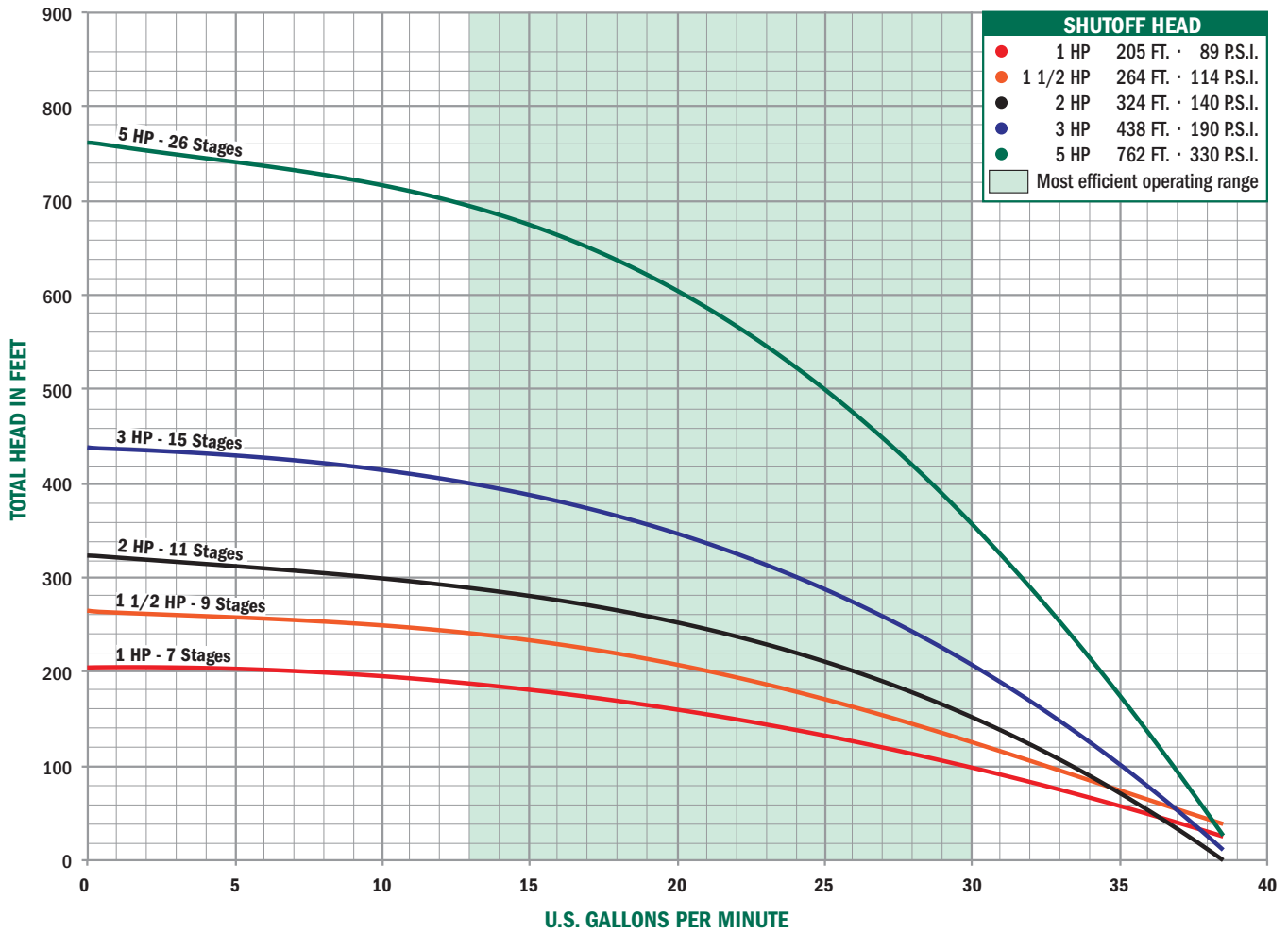
1 1/2 HP	PSI	25'	50'	75'	100'	125'	150'	175'	200'	225'	250'
	0	39.9	37.4	34.9	32.5	30.0	27.4	24.5	21.2	16.9	9.7
	30	33.1	30.6	28.0	25.2	22.0	18.0	11.9			
	50	28.4	25.7	22.5	18.7	13.1					
60	25.9	22.8	19.0	13.7							

2 HP	PSI	25'	50'	75'	100'	125'	150'	175'	200'	225'	250'	275'	300'
	0	37.4	36.1	34.8	33.4	31.8	30.1	28.2	26.1	23.5	20.4	16.2	9.7
	30	33.7	32.2	30.5	28.7	26.6	24.1	21.1	17.3	11.5	1.9		
	50	30.8	29.0	26.9	24.5	21.6	17.9	12.6	3.6				
60	29.1	27.1	24.7	21.9	18.3	13.1	4.4						

FRICITION LOSSES IN RISER PIPE  
HAVE NOT BEEN CALCULATED

# M Series - 25 GPM

Submersible Pumps



3 HP	PSI	25'	50'	75'	100'	125'	150'	175'	200'	225'	250'	275'	300'	325'	350'	375'	400'	425'
	0	38.0	37.1	36.1	35.1	34.0	32.9	31.7	30.4	29.0	27.5	25.9	24.1	22.0	19.7	16.8	13.0	6.9
	30	35.3	34.2	33.1	31.9	30.7	29.3	27.9	26.3	24.5	22.5	20.0	17.5	14.0	8.7			
	50	33.3	32.1	30.9	29.5	28.1	26.5	24.8	22.8	20.6	18.0	14.6	9.7					
	60	32.2	31.0	29.7	28.2	26.7	24.9	23.0	20.8	18.2	14.9	10.2						

5 HP	PSI	50'	100'	150'	200'	250'	300'	350'	400'	450'	500'	550'	600'	650'	700'
	0	38.0	36.8	35.6	34.4	33.1	31.7	30.2	28.6	26.9	25.0	22.8	20.2	17.0	12.3
	30	36.4	35.1	33.9	32.5	31.1	29.6	28.0	26.2	24.2	21.9	19.1	15.4	9.5	
	50	35.2	34.0	32.6	31.2	29.7	28.1	26.3	24.3	22.1	19.3	15.8	10.1		
	60	34.7	33.4	32.0	30.5	29.0	27.3	25.4	23.3	20.9	17.8	13.6			

FRICITION LOSSES IN RISER PIPE  
HAVE NOT BEEN CALCULATED