

24000 Series Stainless Steel

A.Y. McDonald offers a full line of 4" submersibles ranging from 1/2 through 5 horsepower, with flow rates ranging from 5 through 25 gallons per minute (GPM). Our 24000 submersibles offer peak capacity performance in 5, 7, 10, 15, 20, and 25 gallons per minute (GPM) models.

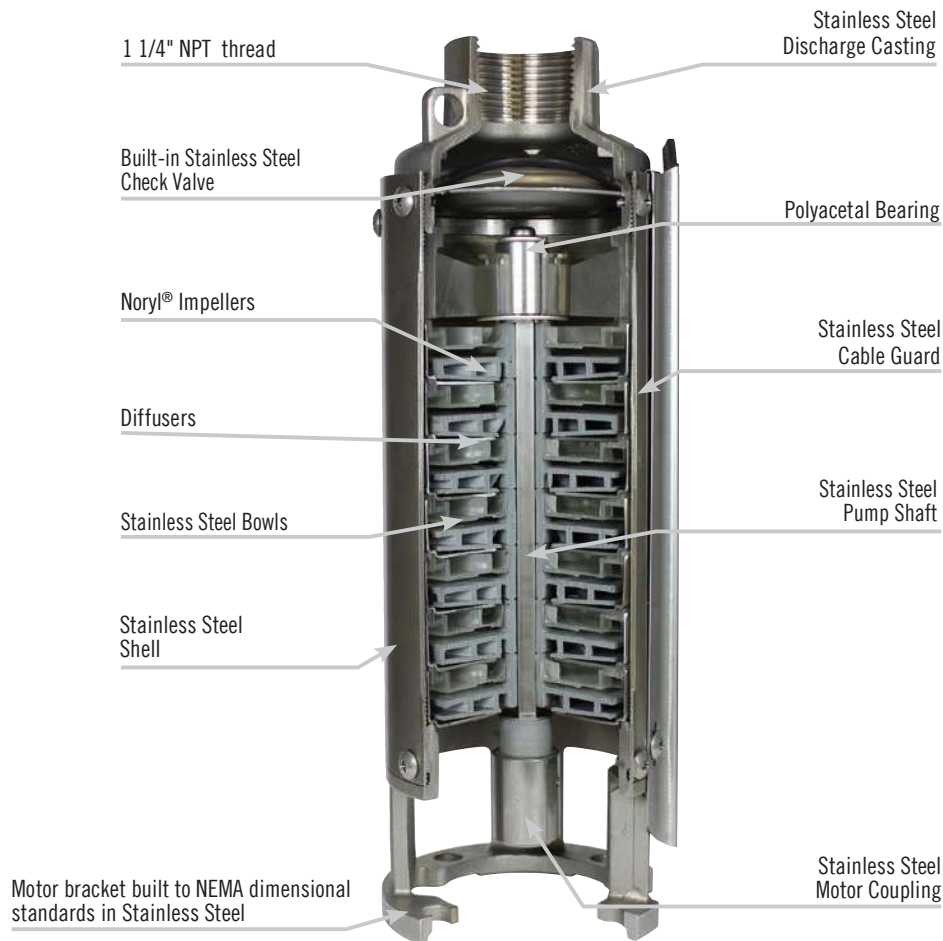
Powered by A.Y. McDonald stainless steel motors.

The charts on the following page will assist you in choosing the pump that meets your needs.



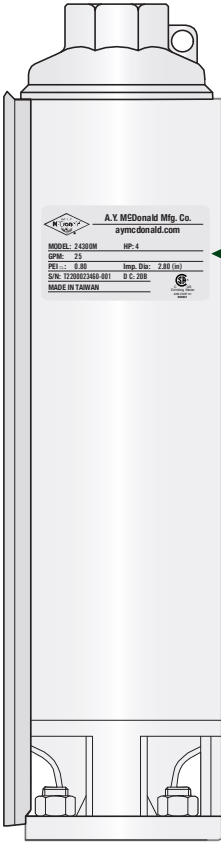
C US
Drinking Water
ANSI/NSF 61

Submersible Pumps



Cutaway illustrates features and is not indicative of specific model performance.

Locating the code number on the pump



A.Y. McDonald Mfg. Co.
aymcdonald.com

MODEL: 24300M HP: 3

GPM: 25

PEI CL: 0.80 Imp. Dia: 2.80 (in)

S/N: T2200023460-001 D C: 20B

MADE IN TAIWAN

US
Drinking Water
ANSI/NSF 61
600631

A code appears on each A.Y. McDonald 24000 series submersible pump. Contained in this code is the following information:

- Pump Model
- Date of manufacture
- Motor HP
- Pump GPM

MATERIALS OF CONSTRUCTION

Discharge Head	Stainless Steel 304, discharge 1 1/4" NPT from 5 GPM to 25 GPM series
Motor Adapter	Stainless Steel 304, NEMA standard
Check Valve	Stainless Steel 304
External Shell	Stainless Steel 304 polished
Impellers	Noryl
Diffusers	Polycarbonate
Bearing	Polyacetal
Shaft Coupling	Stainless Steel 304 NEMA Standard
Strainer	Thermoplastic
Shaft	Stainless Steel 304
Cable Guard	Stainless Steel 304

Submersible Pumps

NOTES

- Standard is 230V, Single Phase, 60 HZ (no suffix letter required)
- **Two-Wire Single phase** models include; pump, motor, leads.
- **Three-Wire Single phase** models include; pump, motor, leads, and control box.
- **Three-Wire Three phase** models include; pump, motor, leads, and starter kit.
- All submersible pumps include **internal check valves and grounded lead on motor.**

J - 5 GPM

All Stainless Steel Submersible Pumps are designed to pump within the 5 gallons per minute (GPM) range. Sizes are available from 1/2 to 1 1/2 HP. All models are standard with 1 1/4" NPT discharge.

Two Wire Single Phase

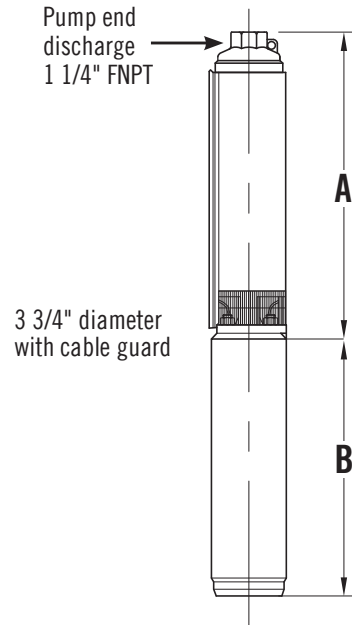
Part No.	Model No.	HP	Stages	Volt	A	B	Wt.
6630-233	24050J2A	1/2	12	115	14.1"	13.4"	27
6630-234	24050J2	1/2	12	230	14.1"	13.0"	30
6630-240	24075J2	3/4	15	230	16.2"	13.8"	30
6630-244	24100J2	1	20	230	19.8"	16.8"	42
6630-248	24150J2	1 1/2	26	230	25.3"	18.5"	47

Three Wire** Single Phase

Part No.	Model No.	HP	Stages	Volt	A	B	Wt.
6630-235	24050J3A	1/2	12	115	14.1"	9.5"	30
6630-236	24050J3	1/2	12	230	14.1"	10.5"	30
6630-241	24075J3	3/4	15	230	16.2"	11.3"	33
6630-245	24100J3	1	20	230	19.8"	13.6"	38
6630-249	24150J3	1 1/2	26	230	25.3"	16.2"	44

Three Wire Three Phase

Part No.	Model No.	HP	Stages	Volt	A	B	Wt.
6630-251	24150J3Z	1 1/2	26	230	25.3"	13.6"	42



4" Stainless Steel Pump Ends

Part No.	Model No.	HP	Wt.
6630-232	24050J	1/2	8
6630-239	24075J	3/4	9
6630-243	24100J	1	11
6630-247	24150J	1 1/2	13

** All three wire pumps are available in three phase by selecting pump end and appropriate motor and starter kit (see pages 121-136).

Output - in Gallons Per Minute (Depth to Water)

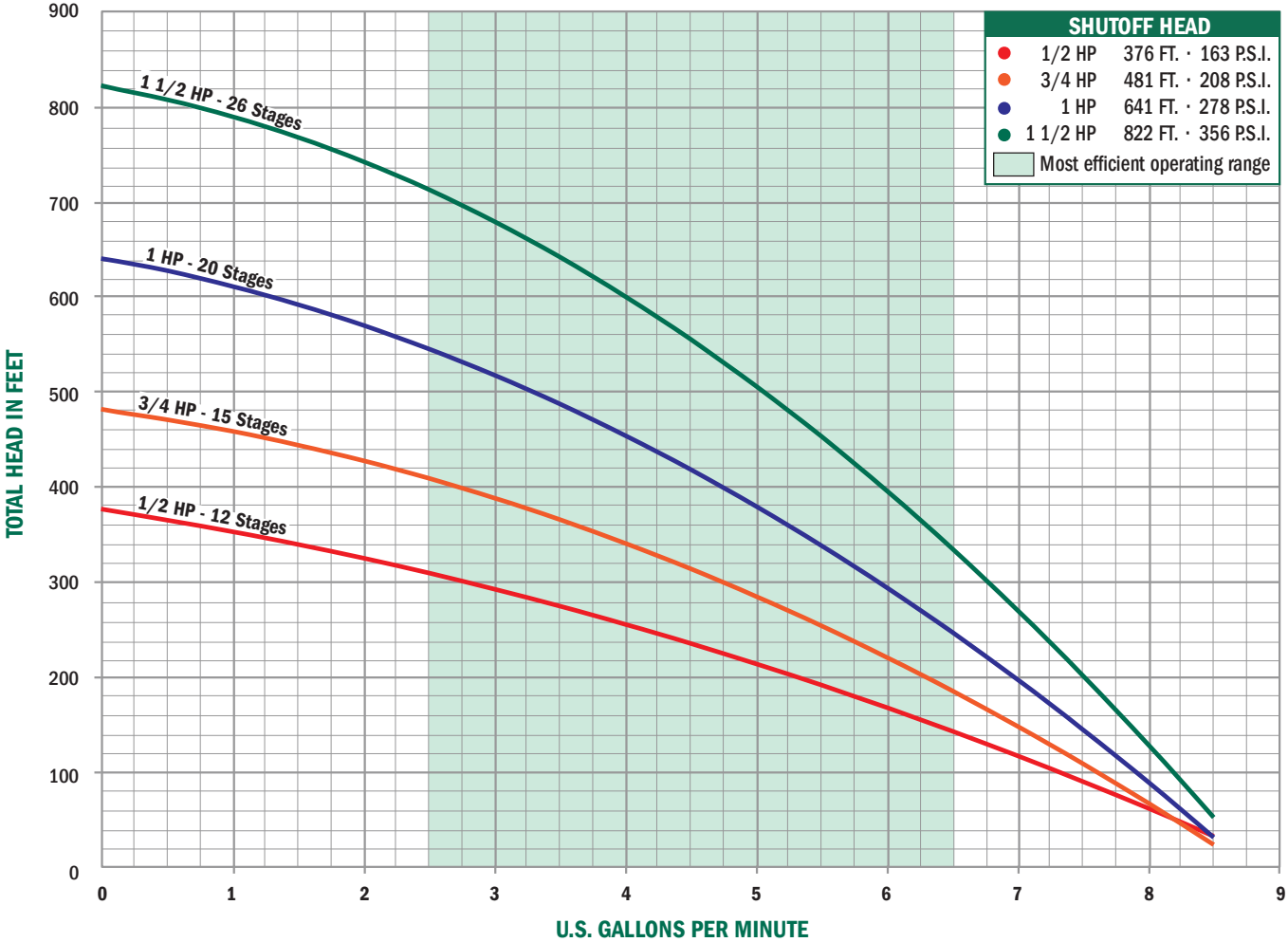
1/2 HP	PSI	25'	50'	75'	100'	125'	150'	175'	200'	225'	250'	275'	300'	325'
	0	8.6	8.2	7.8	7.3	6.8	6.4	5.8	5.3	4.7	4.1	3.5	2.8	2.0
30	7.4	7.0	6.5	6.0	5.4	4.9	4.3	3.6	2.9	2.2	1.3			
50	6.5	6.0	5.5	5.0	4.4	3.7	3.1	2.3	1.5					
60	6.1	5.6	5.0	4.4	3.8	3.1	2.4	1.5						

3/4 HP	PSI	25'	50'	75'	100'	125'	150'	175'	200'	225'	250'	275'	300'	325'	350'	375'	400'	425'	450'
	0	8.5	8.2	7.9	7.6	7.3	7.0	6.6	6.3	5.9	5.6	5.2	4.7	4.3	3.8	3.3	2.7	2.1	1.3
30	7.7	7.4	7.0	6.7	6.4	6.0	5.6	5.3	4.8	4.4	3.9	3.4	2.9	2.2	1.5				
50	7.1	6.8	6.4	6.1	5.7	5.3	4.9	4.5	4.0	3.5	3.0	2.3	1.6						
60	6.8	6.5	6.1	5.7	5.3	4.9	4.5	4.0	3.5	3.0	2.4	1.7							

FRICITION LOSSES IN RISER PIPE
HAVE NOT BEEN CALCULATED

J - 5 GPM

Submersible Pumps



1 HP	PSI	25'	50'	75'	100'	125'	150'	175'	200'	225'	250'	275'	300'	325'	350'	375'	400'	425'	450'	475'	500'	525'	550'	575'	600'
	0	8.5	8.3	8.1	7.9	7.7	7.4	7.2	7.0	6.7	6.5	6.2	5.9	5.7	5.4	5.1	4.7	4.4	4.1	3.7	3.3	2.9	2.4	1.9	1.3
	30	8.0	7.7	7.5	7.3	7.0	6.8	6.5	6.3	6.0	5.7	5.4	5.1	4.8	4.5	4.1	3.8	3.4	3.0	2.5	2.0	1.4			
	50	7.5	7.3	7.1	6.8	6.6	6.3	6.0	5.8	5.5	5.2	4.9	4.5	4.2	3.8	3.5	3.0	2.6	2.1	1.5					
	60	7.3	7.1	6.8	6.6	6.3	6.1	5.8	5.5	5.2	4.9	4.6	4.2	3.9	3.5	3.1	2.6	2.1	1.6						

1 1/2 HP	PSI	50'	100'	150'	200'	250'	300'	350'	400'	450'	500'	550'	600'	650'	700'	750'	800'	850'
	0	8.5	8.2	7.9	7.5	7.1	6.8	6.4	6.0	5.5	5.1	4.6	4.0	3.4	2.7	1.9		
	30	8.1	7.7	7.4	7.0	6.6	6.2	5.8	5.4	4.9	4.4	3.8	3.1	2.4	1.5			
	50	7.7	7.4	7.0	6.7	6.3	5.8	5.4	4.9	4.4	3.8	3.2	2.5	1.6				
	60	7.6	7.2	6.9	6.5	6.1	5.6	5.2	4.7	4.1	3.5	2.9	2.1					

FRICITION LOSSES IN RISER PIPE HAVE NOT BEEN CALCULATED

V - 7 GPM

All Stainless Steel Submersible Pumps are designed to pump within the 7 gallons per minute (GPM) range. Sizes are available from 1/2 to 2 HP. All models are standard with 1 1/4" NPT discharge.

Two Wire Single Phase

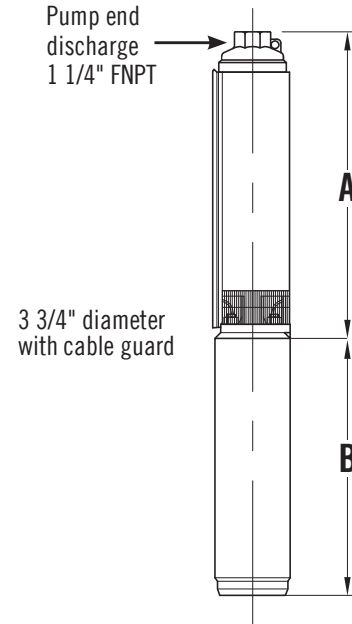
Part No.	Model No.	HP	Stages	Volt	A	B	Wt.
6630-255	24050V2A	1/2	10	115	13.0"	13.4"	25
6630-254	24050V2	1/2	10	230	13.0"	13.0"	30
6630-261	24075V2	3/4	13	230	15.2"	13.8"	33
6630-265	24100V2	1	17	230	17.9"	16.8"	40
6630-269	24150V2	1 1/2	22	230	21.4"	18.5"	44

Three Wire** Single Phase

Part No.	Model No.	HP	Stages	Volt	A	B	Wt.
6630-257	24050V3A	1/2	10	115	13.0"	9.5"	29
6630-256	24050V3	1/2	10	230	13.0"	10.5"	29
6630-262	24075V3	3/4	13	230	15.2"	11.3"	32
6630-266	24100V3	1	17	230	17.9"	13.6"	37
6630-270	24150V3	1 1/2	22	230	21.5"	16.2"	43
6630-273	24200V3	2	27	230	26.6"	16.2"	51

Three Wire Three Phase

Part No.	Model No.	HP	Stages	Volt	A	B	Wt.
6630-409	24150V3Z	1 1/2	22	230	21.5"	13.6"	41
6630-410	24200V3Z	2	27	230	26.6"	15.4"	49



4" Stainless Steel Pump Ends

Part No.	Model No.	HP	Wt.
6630-253	24050V	1/2	8
6630-260	24075V	3/4	9
6630-264	24100V	1	10
6630-268	24150V	1 1/2	12
6630-272	24200V	2	15

** All three wire pumps are available in three phase by selecting pump end and appropriate motor and starter kit (see pages 121-136).

Output - in Gallons Per Minute (Depth to Water)

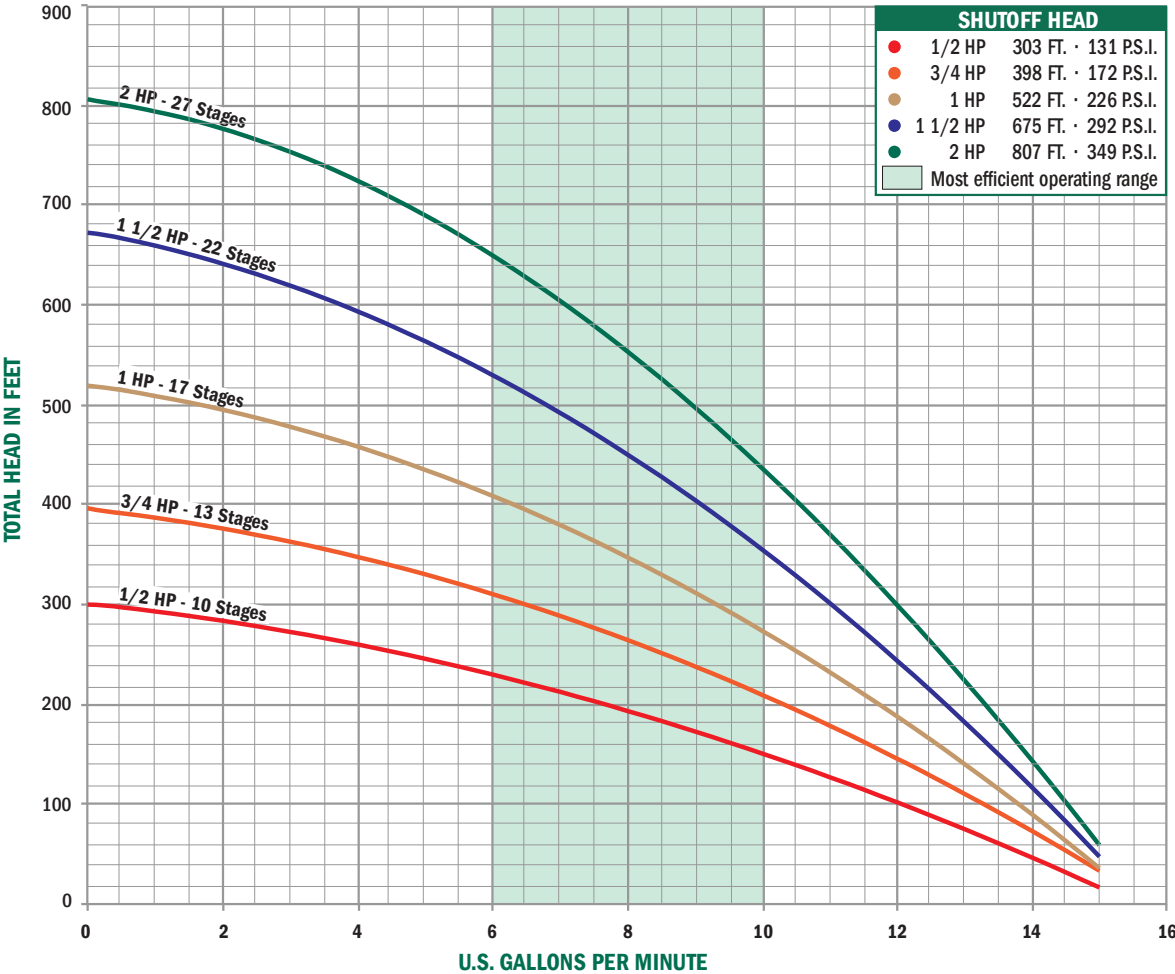
1/2 HP	PSI	25'	50'	75'	100'	125'	150'	175'	200'	225'	250'	275'
	0	14.8	14.0	13.1	12.2	11.2	10.1	9.0	7.8	6.4	4.9	3.0
30	12.4	11.4	10.4	9.3	8.1	6.7	5.2	3.5	1.1			
50	10.5	9.5	8.3	7.0	5.5	3.8	1.5					
60	9.5	8.4	7.1	5.6	3.9	1.7						

3/4 HP	PSI	25'	50'	75'	100'	125'	150'	175'	200'	225'	250'	275'	300'	325'	350'	375'
	0	15.3	14.6	14.0	13.4	12.7	11.9	11.2	10.4	9.5	8.6	7.7	6.6	5.4	4.0	2.3
30	13.5	12.8	12.1	11.4	10.6	9.7	8.9	7.9	6.8	5.7	4.3	2.7				
50	12.2	11.5	10.7	9.9	9.0	8.0	7.0	5.9	4.6	3.0						
60	11.5	10.8	9.9	9.1	8.1	7.1	6.0	4.7	3.1	1.0						

1 HP	PSI	25'	50'	75'	100'	125'	150'	175'	200'	225'	250'	275'	300'	325'	350'	375'	400'	425'	450'	475'	500'
	0	15.2	14.8	14.3	13.8	13.4	12.8	12.3	11.8	11.2	10.6	10.0	9.4	8.7	8.0	7.2	6.4	5.5	4.5	3.3	1.8
30	14.0	13.5	13.0	12.4	11.9	11.4	10.8	10.2	9.5	8.9	8.2	7.4	6.6	5.7	4.7	3.6	2.2				
50	13.0	12.5	12.0	11.4	10.9	10.3	9.6	9.0	8.3	7.5	6.7	5.8	4.9	3.7	2.4						
60	12.6	12.0	11.5	10.9	10.3	9.7	9.0	8.3	7.6	6.8	5.9	4.9	3.8	2.5							

FRICITION LOSSES IN RISER PIPE
HAVE NOT BEEN CALCULATED

V - 7 GPM



Submersible Pumps

1 1/2 HP	PSI	50'	100'	150'	200'	250'	300'	350'	400'	450'	500'	550'	600'	650'
	0	15.0	14.3	13.5	12.8	11.9	11.1	10.1	9.1	8.1	6.8	5.5	3.8	1.7
	30	14.0	13.2	12.4	11.6	10.7	9.8	8.7	7.6	6.3	4.9	3.1		
	50	13.3	12.5	11.7	10.8	9.8	8.8	7.7	6.4	5.0	3.2			
	60	12.9	12.1	11.3	10.4	9.4	8.3	7.1	5.8	4.2	2.2			

2 HP	PSI	50'	100'	150'	200'	250'	300'	350'	400'	450'	500'	550'	600'	650'	700'	750'	800'
	0	15.1	14.6	14.0	13.3	12.7	12.0	11.3	10.6	9.8	9.0	8.1	7.1	6.0	4.8	3.2	0.7
	30	14.3	13.7	13.1	12.4	11.8	11.0	10.3	9.5	8.7	7.7	6.7	5.6	4.2	2.4	0.8	
	50	13.8	13.1	12.5	11.8	11.1	10.4	9.6	8.7	7.8	6.8	5.7	4.3	2.6			
	60	13.5	12.8	12.2	11.5	10.8	10.0	9.2	8.3	7.4	6.3	5.1	3.6	1.5			

FRICITION LOSSES IN RISER PIPE HAVE NOT BEEN CALCULATED

K - 10 GPM

All Stainless Steel Submersible Pumps are designed to pump within the 10 gallons per minute (GPM) range. Sizes are available from 1/2 to 5 HP. All models are standard with 1 1/4" NPT discharge.

Two Wire Single Phase

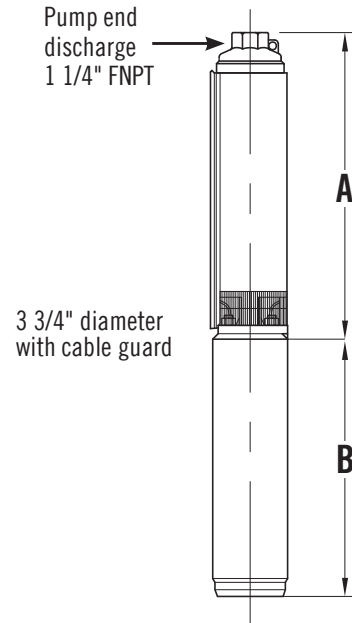
Part No.	Model No.	HP	Stages	Volt	A	B	Wt.
6630-277	24050K2A	1/2	7	115	10.7"	13.4"	28
6630-276	24050K2	1/2	7	230	10.7"	13.0"	28
6630-283	24075K2	3/4	10	230	12.8"	13.8"	32
6630-287	24100K2	1	12	230	14.1"	16.8"	38
6630-291	24150K2	1 1/2	17	230	17.6"	18.5"	42

Three Wire** Single Phase

Part No.	Model No.	HP	Stages	Volt	A	B	Wt.
6630-279	24050K3A	1/2	7	115	10.7"	9.5"	28
6630-278	24050K3	1/2	7	230	10.7"	10.5"	28
6630-284	24075K3	3/4	10	230	12.8"	11.3"	31
6630-288	24100K3	1	12	230	14.1"	13.6"	35
6630-292	24150K3	1 1/2	17	230	17.6"	16.2"	41
6630-297	24200K3	2	20	230	19.6"	16.2"	47
6630-302	24300K3	3	27	230	26.0"	21.4"	57
6630-307	24500K3	5	42	230	36.1"	26.9"	93

Three Wire Three Phase

Part No.	Model No.	HP	Stages	Volt	A	B	Wt.
6630-294	24150K3Z	1 1/2	17	230	17.6"	13.6"	39
6630-299	24200K3Z	2	20	230	19.6"	15.4"	44
6630-304	24300K3Z	3	27	230	26.0"	19.8"	53
6630-308	24500K3Z	5	42	230	36.1"	24.2"	80



4" Stainless Steel Pump Ends

Part No.	Model No.	HP	Wt.
6630-275	24050K	1/2	7
6630-282	24075K	3/4	8
6630-286	24100K	1	8
6630-290	24150K	1 1/2	10
6630-296	24200K	2	11
6630-301	24300K	3	15
6630-306	24500K	5	25

** All three wire pumps are available in three phase by selecting pump end and appropriate motor and starter kit (see pages 121-136).

Output - in Gallons Per Minute (Depth to Water)

1/2 HP	PSI	25'	50'	75'	100'	125'	150'	175'	200'
	0	19.2	17.8	16.3	14.7	12.9	10.9	8.5	5.2
	30	15.1	13.4	11.4	9.1	6.1			
	50	11.7	9.5	6.6					
	60	9.7	6.9						

3/4 HP	PSI	25'	50'	75'	100'	125'	150'	175'	200'	225'	250'	275'	300'
	0	19.5	18.6	17.6	16.7	15.6	14.5	13.3	12.0	10.5	8.8	6.8	3.9
	30	16.9	15.9	14.8	13.6	12.3	10.9	9.2	7.3	4.7			
	50	14.9	13.8	12.5	11.1	9.5	7.6	5.2					
	60	13.9	12.6	11.2	9.6	7.8	5.4						

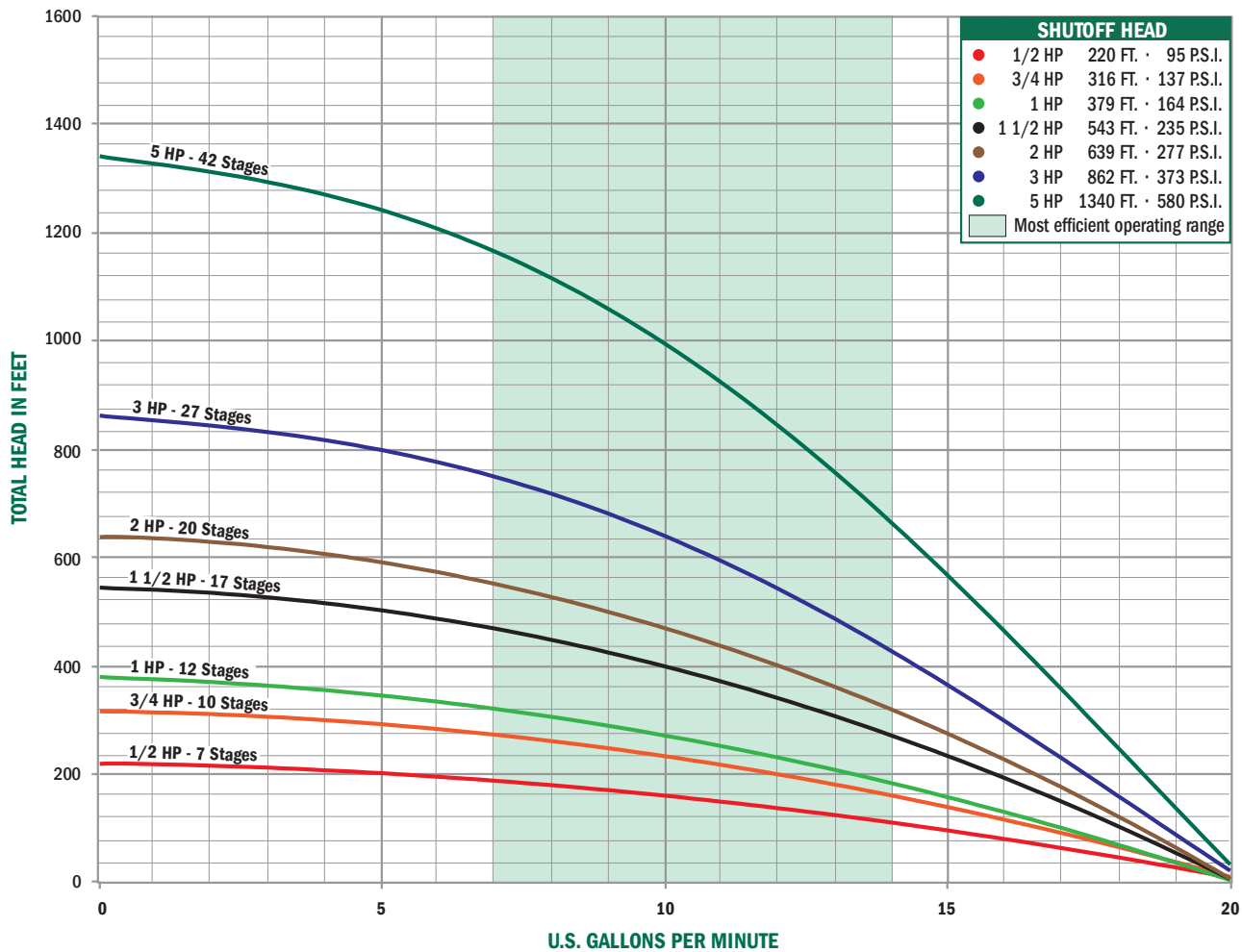
1 HP	PSI	25'	50'	75'	100'	125'	150'	175'	200'	225'	250'	275'	300'	325'	350'	375'
	0	19.4	18.6	17.8	17.0	16.2	15.3	14.3	13.3	12.3	11.1	9.8	8.4	6.7	4.5	1.0
	30	17.2	16.4	15.5	14.6	13.6	12.5	11.4	10.1	8.7	7.1	5.1	2.1			
	50	15.6	14.7	13.7	12.7	11.5	10.3	8.9	7.3	5.4	2.7					
	60	14.8	13.8	12.8	11.6	10.4	9.0	7.5	5.6	3.0						

1 1/2 HP	PSI	50'	100'	150'	200'	250'	300'	350'	400'	450'	500'
	0	19.1	18.1	17.0	15.8	14.6	13.2	11.7	10.0	7.9	5.2
	30	17.7	16.6	15.4	14.1	12.6	11.1	9.2	7.0	3.7	
	50	16.6	15.5	14.2	12.8	11.2	9.4	7.2	4.0		
	60	16.1	14.9	13.5	12.1	10.4	8.4	5.9			

FRICITION LOSSES IN RISER PIPE
HAVE NOT BEEN CALCULATED

Submersible Pumps

K - 10 GPM



Submersible Pumps

2 HP	PSI	50'	100'	150'	200'	250'	300'	350'	400'	450'	500'	550'	600'
	0	19.3	18.4	17.5	16.5	15.5	14.4	13.3	12.0	10.6	9.0	7.1	4.5
30	18.1	17.1	16.2	15.1	14.0	12.8	11.5	10.0	8.3	6.2	3.0		
50	17.2	16.2	15.2	14.1	12.9	11.6	10.1	8.4	6.4	3.3			
60	16.8	15.8	14.7	13.6	12.3	10.9	9.4	7.5	5.1				

3 HP	PSI	50'	100'	150'	200'	250'	300'	350'	400'	450'	500'	550'	600'	650'	700'	750'	800'	850'
	0	19.6	18.9	18.2	17.4	16.7	16.0	15.2	14.4	13.6	12.8	11.9	10.9	9.8	8.5	7.0	4.9	1.4
30	18.6	17.9	17.2	16.4	15.7	14.9	14.1	13.3	12.4	11.5	10.5	9.3	8.0	6.3	3.8			
50	17.9	17.2	16.5	15.8	15.0	14.2	13.4	12.5	11.6	10.5	9.4	8.1	6.4	4.1				
60	17.6	16.9	16.2	15.4	14.6	13.8	13.0	12.1	11.2	10.0	8.8	7.4	5.5					

5 HP	PSI	50'	100'	150'	200'	250'	300'	350'	400'	450'	500'	550'	600'	650'	700'	750'	800'	850'	900'	950'	1000'	1050'	1100'	1150'	1200'	1250'	1300'
	0	19.8	19.4	18.9	18.5	18.0	17.5	17.1	16.6	16.1	15.7	15.2	14.7	14.2	13.6	13.1	12.5	11.9	11.3	10.6	9.9	9.2	8.3	7.3	6.2	4.7	2.7
30	19.2	18.7	18.3	17.8	17.4	16.9	16.4	16.0	15.5	15.0	14.5	14.0	13.4	12.9	12.3	11.7	11.1	10.4	9.6	8.8	7.9	6.9	5.7	4.0	1.5		
50	18.8	18.3	17.9	17.4	16.9	16.5	16.0	15.5	15.0	14.5	14.0	13.5	12.9	12.3	11.7	11.1	10.4	9.7	8.9	8.0	7.0	5.8	4.2				
60	18.6	18.1	17.6	17.2	16.7	16.2	15.8	15.3	14.8	14.3	13.8	13.2	12.7	12.1	11.5	10.8	10.1	9.3	8.5	7.6	6.5	5.1	3.2				

FRICTION LOSSES IN RISER PIPE HAVE NOT BEEN CALCULATED

L - 15 GPM

All Stainless Steel Submersible Pumps are designed to pump within the 15 gallons per minute (GPM) range. Sizes are available from 1/2 to 5 HP. All models are standard with 1 1/4" NPT discharge.

Two Wire Single Phase

Part No.	Model No.	HP	Stages	Volt	A	B	Wt.
6630-312	24050L2A	1/2	5	115	9.3"	13.4"	23.5
6630-311	24050L2	1/2	5	230	9.3"	13.0"	23.5
6630-318	24075L2	3/4	7	230	10.7"	13.8"	27.2
6630-322	24100L2	1	10	230	12.8"	16.8"	31.1
6630-326	24150L2	1 1/2	12	230	14.1"	18.5"	38.7

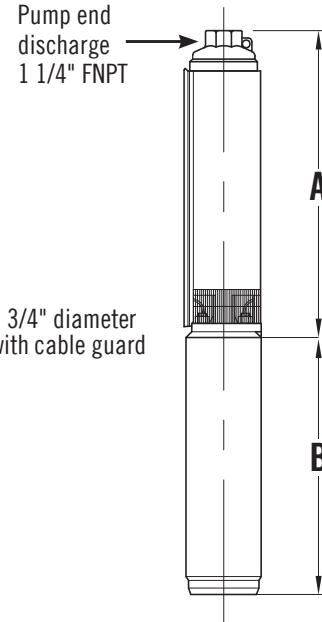
Three Wire** Single Phase

Part No.	Model No.	HP	Stages	Volt	A	B	Wt.
6630-314	24050L3A	1/2	5	115	9.3"	9.5"	24.5
6630-313	24050L3	1/2	5	230	9.3"	10.5"	24.5
6630-319	24075L3	3/4	7	230	10.7"	11.3"	27.2
6630-323	24100L3	1	10	230	12.8"	13.6"	31.1
6630-327	24150L3	1 1/2	12	230	14.1"	16.2"	35.7
6630-330	24200L3	2	17	230	17.6"	16.2"	42.5
6630-335	24300L3	3	21	230	20.4"	21.4"	52.1
6630-340	24500L3	5	35	230	31.6"	26.9"	88.0

Three Wire Three Phase

Part No.	Model No.	HP	Stages	Volt	A	B	Wt.
6630-411	24150L3Z	1 1/2	12	230	14.1"	13.6"	31.7
6630-332	24200L3Z	2	17	230	17.6"	15.4"	37.5
6630-337	24300L3Z	3	21	230	20.4"	19.8"	46.1
6630-342	24500L3Z	5	35	230	31.6"	24.2"	73.0

** All three wire pumps are available in three phase by selecting pump end and appropriate motor and starter kit (see pages 121-136).



4" Stainless Steel Pump Ends

Part No.	Model No.	HP	Wt.
6630-310	24050L	1/2	6
6630-317	24075L	3/4	7
6630-321	24100L	1	8
6630-325	24150L	1 1/2	9
6630-329	24200L	2	10
6630-334	24300L	3	12
6630-339	24500L	5	17

Output - in Gallons Per Minute (Depth to Water)

1/2 HP	PSI	25'	50'	75'	100'	125'	150'
	0	22.7	20.4	17.8	14.6	10.6	3.1
	30	15.4	11.7	5.8	9.1	6.1	
	50	7.0	9.5	6.6			

3/4 HP	PSI	25'	50'	75'	100'	125'	150'	175'	200'
	0	23.3	21.7	20.0	18.1	16.0	13.6	10.5	6.0
	30	18.6	16.5	14.2	11.3	7.3			
	50	14.6	11.8	8.1					
60	12.0	8.4							

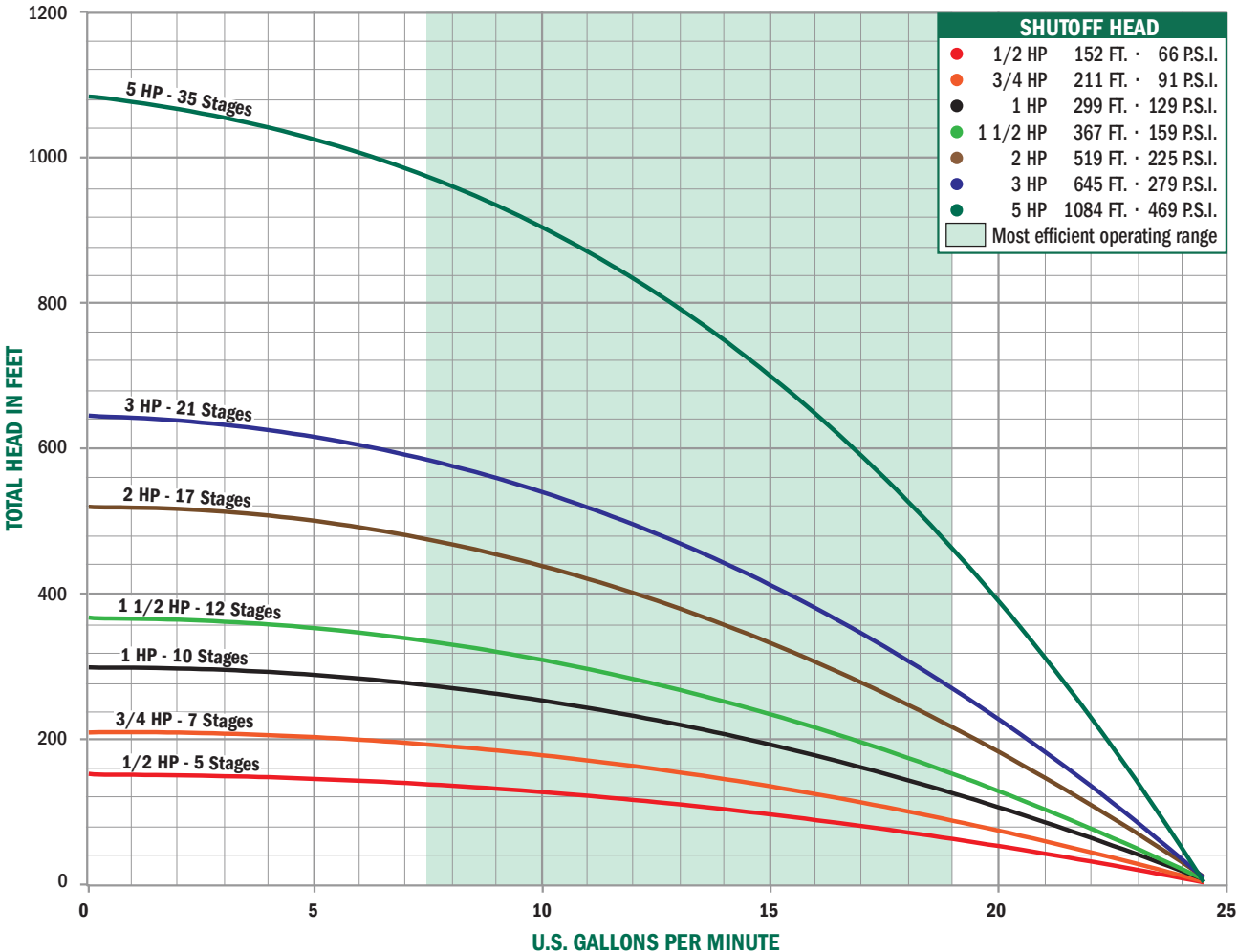
1 HP	PSI	25'	50'	75'	100'	125'	150'	175'	200'	225'	250'	275'
	0	23.8	22.7	21.6	20.4	19.1	17.7	16.2	14.5	12.6	10.4	7.1
	30	20.6	19.4	18.0	6.6	14.9	13.1	10.9	8.2	3.6		
	50	18.2	16.8	15.2	13.4	11.3	8.7	4.7				
60	16.9	15.3	13.5	11.5	8.9	5.1						

1 1/2 HP	PSI	25'	50'	75'	100'	125'	150'	175'	200'	225'	250'	275'	300'	325'	350'
	0	23.9	23.1	22.1	21.2	20.2	19.1	18.0	16.8	15.5	14.1	12.6	10.8	8.6	5.6
	30	21.4	20.4	19.4	18.3	17.1	15.8	14.5	12.9	11.2	9.1	6.4			
	50	19.5	18.4	17.3	16.0	14.7	13.2	11.5	9.5	6.9					
60	18.5	17.4	16.1	14.8	13.3	11.6	9.6	7.1							

FRICION LOSSES IN RISER PIPE
HAVE NOT BEEN CALCULATED

Submersible Pumps

L - 15 GPM



Submersible Pumps

2 HP	PSI	50'	100'	150'	200'	250'	300'	350'	400'	450'	500'
	0	23.6	22.3	21.0	19.5	17.9	16.2	14.3	12.1	9.3	5.1
	30	21.8	20.4	18.9	17.3	15.5	13.5	11.1	7.9		
	50	20.5	19.0	17.4	15.7	13.7	11.3	8.2			
	60	19.8	18.3	16.6	14.8	12.6	10.0	6.3			

3 HP	PSI	50'	100'	150'	200'	250'	300'	350'	400'	450'	500'	550'	600'
	0	23.8	22.8	21.7	20.6	19.5	18.2	16.9	15.4	13.7	11.8	9.5	6.4
	30	22.4	21.3	20.2	19.0	17.7	16.3	14.8	13.0	11.0	8.4	4.7	
	50	21.4	20.3	19.1	17.8	16.4	14.9	13.2	11.1	8.6	5.0		
	60	20.9	19.8	18.5	17.2	15.7	14.1	12.3	10.1	7.2	2.0		

5 HP	PSI	50'	100'	150'	200'	250'	300'	350'	400'	450'	500'	550'	600'	650'	700'	750'	800'	850'	900'	950'	1000'
	0	24.0	23.5	23.0	22.4	21.8	21.2	20.5	19.9	19.2	18.4	17.6	16.8	15.9	15.0	14.0	12.8	11.5	10.1	8.4	6.3
	30	23.3	22.7	22.2	21.6	20.9	20.3	19.6	18.9	18.1	17.3	16.5	15.6	14.6	13.5	12.3	11.0	9.5	7.7	5.3	
	50	22.8	22.2	21.6	21.0	20.3	19.7	18.9	18.2	17.4	16.6	15.6	14.7	13.6	12.4	11.1	9.6	7.8	5.5		
	60	22.5	21.9	21.3	20.7	20.0	19.3	18.6	17.8	17.0	16.1	15.2	14.2	13.1	11.9	10.5	8.8	6.8			

FRICITION LOSSES IN RISER PIPE HAVE NOT BEEN CALCULATED

P - 20 GPM

All Stainless Steel Submersible Pumps are designed to pump within the 20 gallons per minute (GPM) range. Sizes are available from 1/2 to 5 HP. All models are standard with 1 1/4" NPT discharge.

Two Wire Single Phase

Part No.	Model No.	HP	Stages	Volt	A	B	Wt.
6630-346	24050P2A	1/2	5	115	10.1"	13.4"	24.0
6630-345	24050P2	1/2	5	230	10.1"	13.0"	24.0
6630-352	24075P2	3/4	6	230	11.0"	13.8"	27.2
6630-356	24100P2	1	8	230	12.7"	16.8"	30.9
6630-360	24150P2	1 1/2	11	230	15.2"	18.5"	39.0

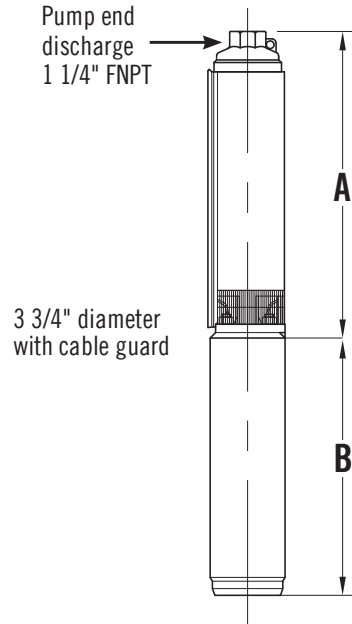
Three Wire** Single Phase

Part No.	Model No.	HP	Stages	Volt	A	B	Wt.
6630-348	24050P3A	1/2	5	115	10.1"	9.5"	25.0
6630-347	24050P3	1/2	5	230	10.1"	10.5"	25.0
6630-353	24075P3	3/4	6	230	11.0"	11.3"	27.2
6630-357	24100P3	1	8	230	12.7"	13.6"	30.9
6630-361	24150P3	1 1/2	11	230	15.2"	16.2"	36.0
6630-366	24200P3	2	14	230	17.8"	16.2"	42.1
6630-371	24300P3	3	19	230	22.0"	21.4"	51.8
6630-376	24500P3	5	30	230	32.6"	26.9"	87.0

Three Wire Three Phase

Part No.	Model No.	HP	Stages	Volt	A	B	Wt.
6630-363	24150P3Z	1 1/2	11	230	15.2"	13.6"	32.0
6630-368	24200P3Z	2	14	230	17.8"	15.4"	37.1
6630-373	24300P3Z	3	19	230	22.0"	19.8"	45.8
6630-380	24500P3Z	5	30	230	32.6"	24.2"	72.0

** All three wire pumps are available in three phase by selecting pump end and appropriate motor and starter kit (see pages 121-136).



4" Stainless Steel Pump Ends

Part No.	Model No.	HP	Wt.
6630-344	24050P	1/2	6
6630-351	24075P	3/4	7
6630-355	24100P	1	8
6630-359	24150P	1 1/2	9
6630-365	24200P	2	10
6630-370	24300P	3	12
6630-375	24500P	5	17

Output - in Gallons Per Minute (Depth to Water)

PSI	25'	50'	75'	100'	125'
1/2 HP	0	30.3	26.8	22.8	18.0
	30	19.2	13.3		
	50	4.8			

PSI	25'	50'	75'	100'	125'	150'	175'
3/4 HP	0	32.3	29.6	26.5	23.1	19.1	14.1
	30	23.9	20.1	15.4	8.6		
	50	16.2	9.9				
	60	10.5					

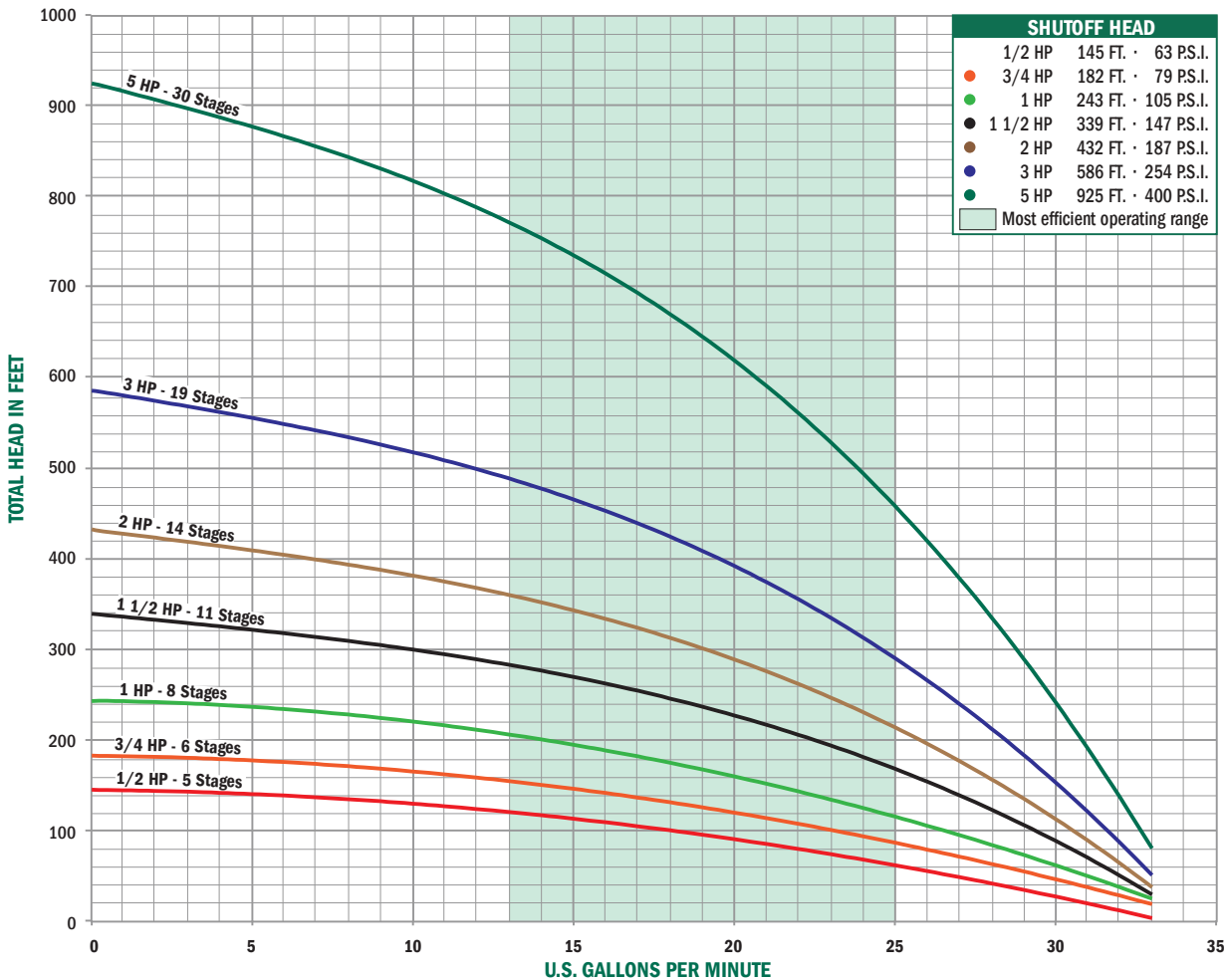
PSI	25'	50'	75'	100'	125'	150'	175'	200'	225'
1 HP	0	33.0	31.0	28.8	26.5	24.0	21.2	18.0	14.1
	30	27.1	24.6	21.9	18.7	15.1	10.2		
	50	22.3	19.2	15.7	11.1				
	60	19.5	16.0	11.5					

PSI	25'	50'	75'	100'	125'	150'	175'	200'	225'	250'	275'	300'	325'
1 1/2 HP	0	33.2	32.0	30.7	29.4	27.9	26.3	24.5	22.5	20.2	17.5	14.2	9.9
	30	29.7	28.2	26.6	24.9	23.0	20.7	18.2	15.0	11.0	5.6		
	50	26.9	25.2	23.3	21.1	18.6	15.5	11.7	6.5				
	60	25.3	23.4	21.3	18.8	15.8	12.0	7.0					

FRICITION LOSSES IN RISER PIPE
HAVE NOT BEEN CALCULATED

Submersible Pumps

P - 20 GPM



Submersible Pumps

PSI	2 HP															
	25'	50'	75'	100'	125'	150'	175'	200'	225'	250'	275'	300'	325'	350'	375'	400'
0	33.5	32.5	31.6	30.5	29.5	28.3	27.1	25.8	24.3	22.8	21.1	19.1	16.9	14.2	10.9	6.8
30	30.8	29.7	28.6	27.4	26.1	24.7	23.2	21.5	19.6	17.4	14.8	11.8	7.8			
50	28.8	27.6	26.3	24.9	23.4	21.7	19.9	17.7	15.3	12.3	8.5					
60	27.7	26.4	25.0	23.5	21.9	20.0	17.9	15.5	12.5	8.8						

PSI	3 HP										
	50'	100'	150'	200'	250'	300'	350'	400'	450'	500'	550'
0	33.0	31.6	30.1	28.4	26.6	24.6	22.3	19.5	16.2	11.9	5.8
30	31.0	29.5	27.8	25.9	23.7	21.3	18.3	14.7	9.8	2.8	
50	29.6	27.9	26.0	23.9	21.5	18.6	15.0	10.2	3.4		
60	28.8	27.1	25.1	22.8	20.2	17.0	13.0	7.4			

PSI	5 HP																	
	50'	100'	150'	200'	250'	300'	350'	400'	450'	500'	550'	600'	650'	700'	750'	800'	850'	900'
0	33.5	32.7	31.8	30.8	29.8	28.8	27.7	26.5	25.2	23.8	22.3	20.7	18.8	16.7	14.2	11.2	7.4	2.7
30	32.3	31.4	30.4	29.4	28.4	27.2	26.0	24.7	23.3	21.7	20.0	18.0	15.8	13.1	9.8	5.7		
50	31.5	30.5	29.5	28.4	27.3	26.1	24.8	23.4	21.8	20.1	18.2	16.0	13.3	10.1	6.0			
60	31.0	30.1	29.0	27.9	26.8	25.5	24.2	22.7	21.1	19.3	17.2	14.8	11.9	8.4	3.8			

FRICITION LOSSES IN RISER PIPE HAVE NOT BEEN CALCULATED

M - 25 GPM

All Stainless Steel Submersible Pumps are designed to pump within the 25 gallons per minute (GPM) range. Sizes are available from 1 to 5 HP. All models are standard with 1 1/4" NPT discharge.

Submersible Pumps

Two Wire Single Phase

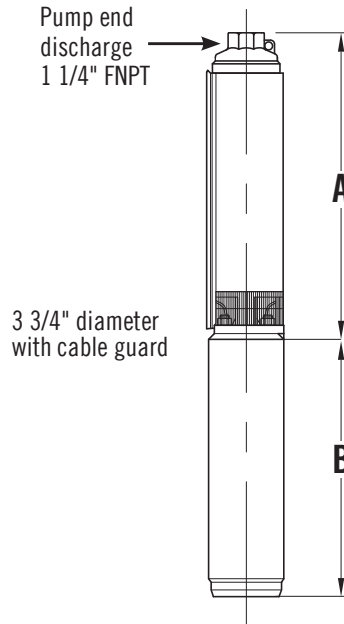
Part No.	Model No.	HP	Stages	Volt	A	B	Wt.
6630-383	24100M2	1	7	230	12.6"	16.8"	30.9
6630-387	24150M2	1 1/2	9	230	14.6"	18.5"	38.7

Three Wire** Single Phase

Part No.	Model No.	HP	Stages	Volt	A	B	Wt.
6630-384	24100M3	1	7	230	12.6"	13.6"	30.9
6630-388	24150M3	1 1/2	9	230	14.6"	16.2"	35.7
6630-393	24200M3	2	11	230	16.5"	16.2"	41.6
6630-398	24300M3	3	15	230	20.4"	21.4"	51.4
6630-403	24500M3	5	26	230	32.5"	26.9"	86.7

Three Wire Three Phase

Part No.	Model No.	HP	Stages	Volt	A	B	Wt.
6630-390	24150M3Z	1 1/2	9	230	14.6"	13.6"	31.7
6630-395	24200M3Z	2	11	230	16.5"	15.4"	36.6
6630-400	24300M3Z	3	15	230	20.4"	19.8"	45.4
6630-407	24500M3Z	5	26	230	32.5"	24.2"	71.7



4" Stainless Steel Pump Ends

Part No.	Model No.	HP	Wt.
6630-382	24100M	1	7
6630-386	24150M	1 1/2	9
6630-392	24200M	2	10
6630-397	24300M	3	12
6630-402	24500M	5	16

** All three wire pumps are available in three phase by selecting pump end and appropriate motor and starter kit (see pages 121-136).

Output - in Gallons Per Minute (Depth to Water)

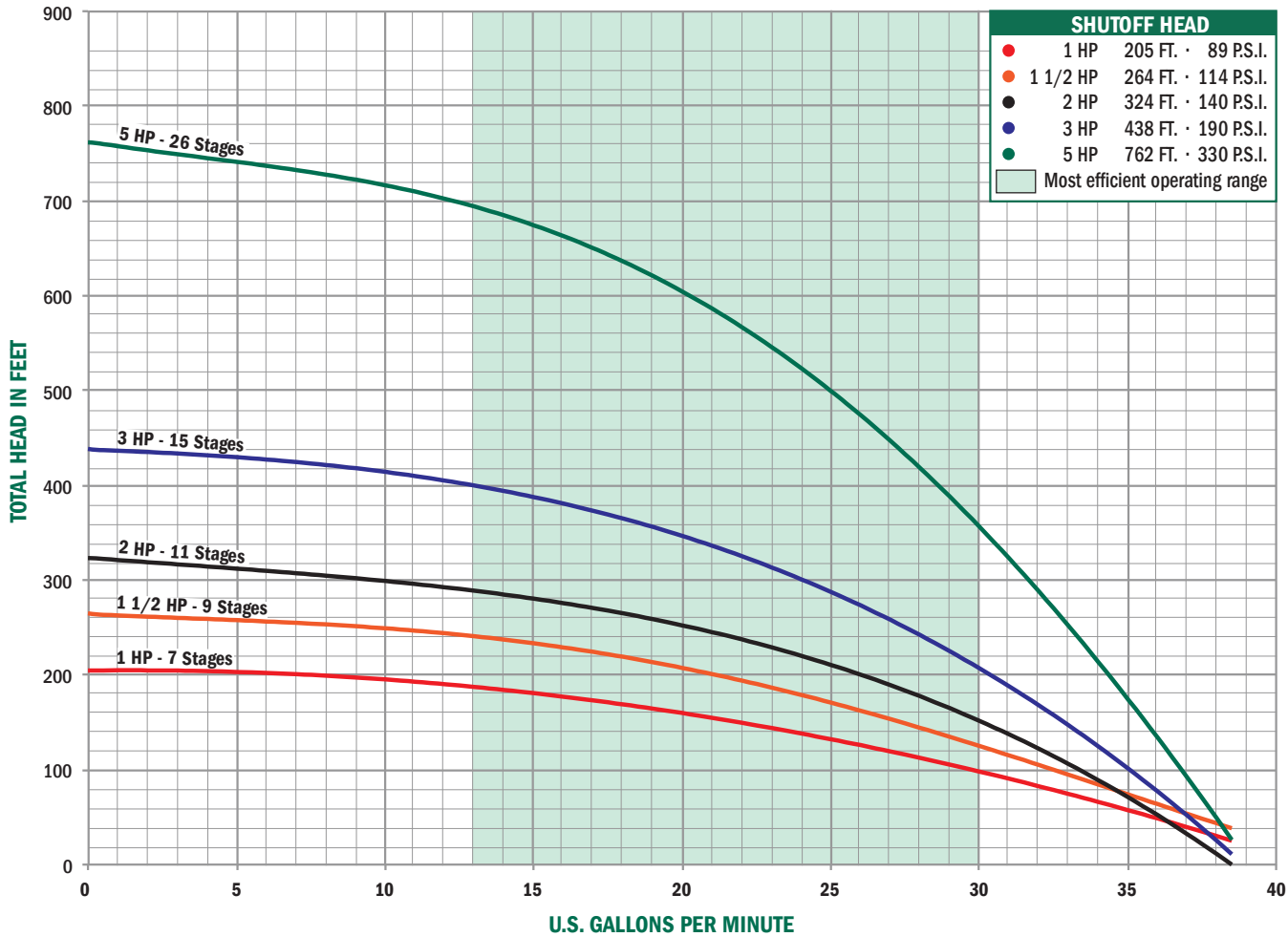
1 HP	PSI	25'	50'	75'	100'	125'	150'	175'	200'
	0	38.5	35.9	33.0	29.8	26.2	22.0	16.6	7.7
	30	30.5	27.0	23.0	18.0	10.5			
	50	23.7	18.8	12.0					

1 1/2 HP	PSI	25'	50'	75'	100'	125'	150'	175'	200'	225'	250'
	0	39.9	37.4	34.9	32.5	30.0	27.4	24.5	21.2	16.9	9.7
	30	33.1	30.6	28.0	25.2	22.0	18.0	11.9			
	50	28.4	25.7	22.5	18.7	13.1					
60	25.9	22.8	19.0	13.7							

2 HP	PSI	25'	50'	75'	100'	125'	150'	175'	200'	225'	250'	275'	300'
	0	37.4	36.1	34.8	33.4	31.8	30.1	28.2	26.1	23.5	20.4	16.2	9.7
	30	33.7	32.2	30.5	28.7	26.6	24.1	21.1	17.3	11.5	1.9		
	50	30.8	29.0	26.9	24.5	21.6	17.9	12.6	3.6				
60	29.1	27.1	24.7	21.9	18.3	13.1	4.4						

FRICITION LOSSES IN RISER PIPE
HAVE NOT BEEN CALCULATED

M - 25 GPM



Submersible Pumps

3 HP	PSI	25'	50'	75'	100'	125'	150'	175'	200'	225'	250'	275'	300'	325'	350'	375'	400'	425'
	0	38.0	37.1	36.1	35.1	34.0	32.9	31.7	30.4	29.0	27.5	25.9	24.1	22.0	19.7	16.8	13.0	6.9
30	35.3	34.2	33.1	31.9	30.7	29.3	27.9	26.3	24.5	22.5	20.0	17.5	14.0	8.7				
50	33.3	32.1	30.9	29.5	28.1	26.5	24.8	22.8	20.6	18.0	14.6	9.7						
60	32.2	31.0	29.7	28.2	26.7	24.9	23.0	20.8	18.2	14.9	10.2							

5 HP	PSI	50'	100'	150'	200'	250'	300'	350'	400'	450'	500'	550'	600'	650'	700'
	0	38.0	36.8	35.6	34.4	33.1	31.7	30.2	28.6	26.9	25.0	22.8	20.2	17.0	12.3
30	36.4	35.1	33.9	32.5	31.1	29.6	28.0	26.2	24.2	21.9	19.1	15.4	9.5		
50	35.2	34.0	32.6	31.2	29.7	28.1	26.3	24.3	22.1	19.3	15.8	10.1			
60	34.7	33.4	32.0	30.5	29.0	27.3	25.4	23.3	20.9	17.8	13.6				

FRICITION LOSSES IN RISER PIPE HAVE NOT BEEN CALCULATED