

J Series - 5 GPM

A.Y. McDonald offers a full line of submersible pump ends built for years of trouble free operation, with high-efficiency stainless steel impellers and diffusers. These submersibles offer peak capacity performance in 5, 10, 18, 25, 40, and 70 gallons per minute (GPM). Other features include stainless steel discharge head with a built-in check valve, stainless steel suction screen, and stainless steel shaft and coupling.

All J Series Stainless Steel Pump Ends come with a 1 1/4" discharge and sizes range from 1/2 to 2 horse power (HP).

Two Wire Single Phase

Model No.	HP	Stages	A	B	C	D	Pump Wt.	Motor Wt.	Total Wt.
26050J2	1/2	13	16.8	9.5	26.3	3.82	8.4	18	26.4
26050J2A	1/2	13	16.8	9.5	26.3	3.82	8.4	18	26.4
26075J2	3/4	18	21	10.6	31.6	3.82	10.6	21	31.6
26100J2	1	22	24.3	11.7	36	3.82	12.1	24	36.1
26150J2	1 1/2	26	27.5	15.1	42.6	3.82	13.7	31	44.7

Three Wire** Single Phase

Model No.	HP	Stages	A	B	C	D	Pump Wt.	Motor Wt.	Total Wt.
26050J3	1/2	13	16.8	9.5	26.3	3.82	8.4	19	27.4
26050J3A	1/2	13	16.8	9.5	26.3	3.82	8.4	19	27.4
26075J3	3/4	18	21	10.6	31.6	3.82	10.6	21	31.6
26100J3	1	22	24.3	11.7	36	3.82	12.1	24	36.1
26150J3	1 1/2	26	27.5	13.6	41.1	3.82	13.7	28	41.7
26200J3	2	31	31.7	15.1	46.8	3.82	15.9	33	48.9

Pump Ends

Model No.	HP	Stages	A	C	D	Wt.
26050J	1/2	13	16.8	16.8	3.82	8.4
26075J	3/4	18	21	21	3.82	10.6
26100J	1	22	24.3	24.3	3.82	12.1
26150J	1 1/2	26	27.5	27.5	3.82	13.7
26200J	2	31	31.7	31.7	3.82	15.9

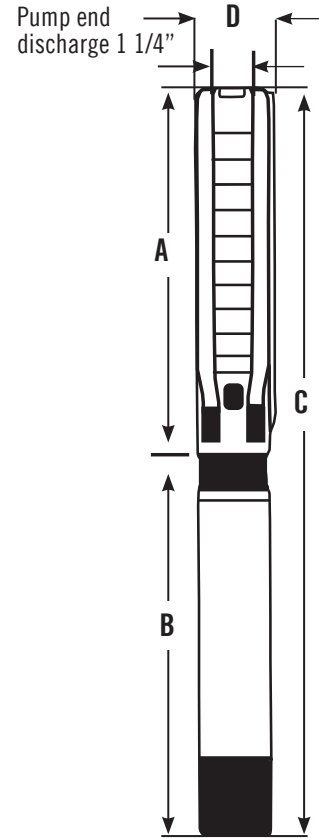


Fig. A

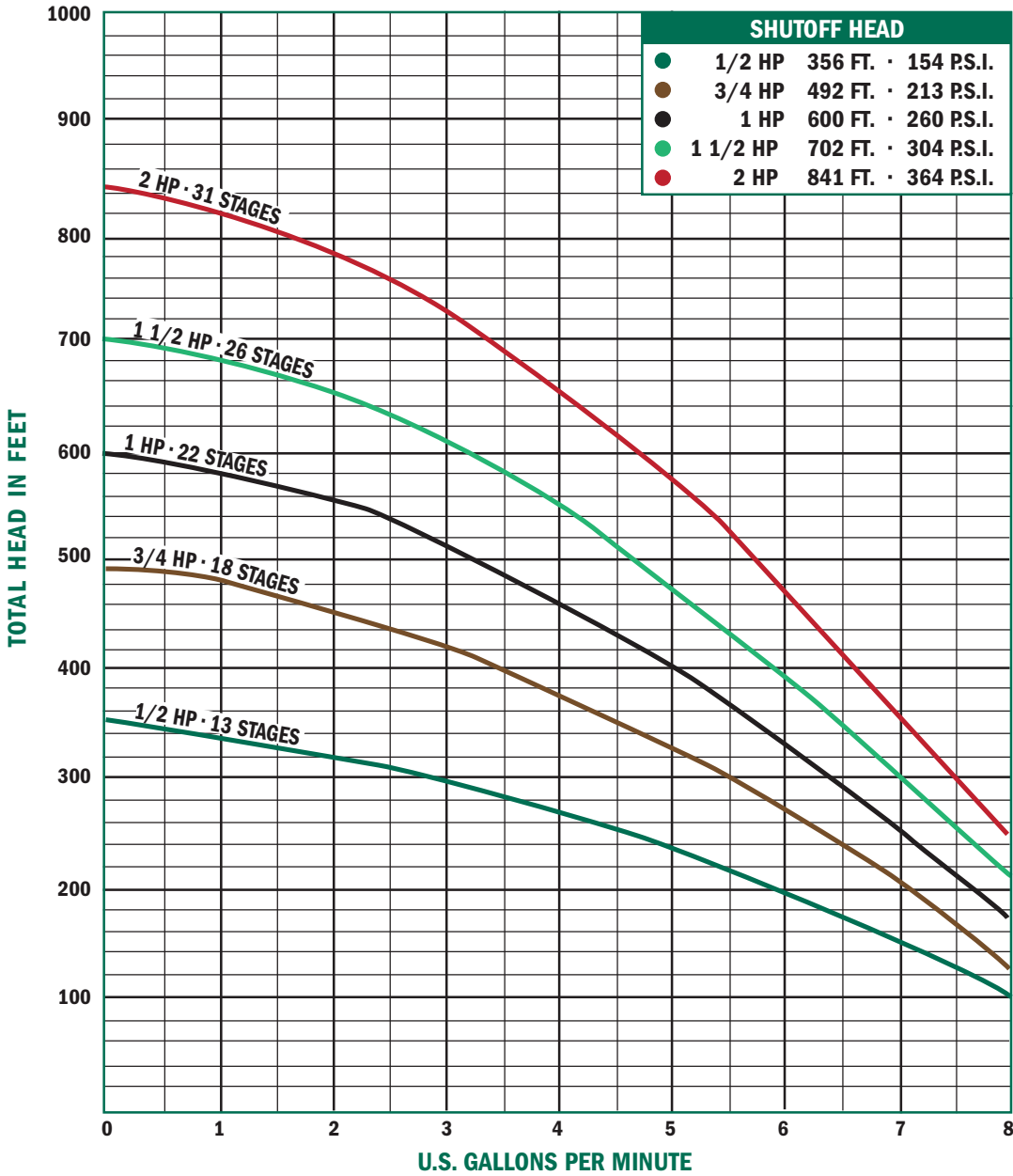
** All three wire pumps are available in three phase by selecting pump end and appropriate motor and starter kit (see pages 108-118).

Output - in Gallons Per Minute (Depth to Water)

1/2 HP	PSI	20'	40'	60'	80'	100'	120'	140'	160'	180'	200'	220'	240'	260'	280'	300'		
	0							7.4	6.9	6.5	6.0	5.5	5.1	4.6	4.1	3.4		
	30				7.2	6.7	6.2	5.8	5.3	4.9	4.4	3.8	3.1	2.0				
	50	7.5	7.0	6.6	6.1	5.6	5.2	4.7	4.2	3.6	2.8	1.5						
3/4 HP	PSI	60'	80'	100'	120'	140'	160'	180'	200'	220'	240'	260'	280'	300'	340'	380'	420'	460'
	0						7.9	7.6	7.3	7.0	6.6	6.3	5.9	5.6	4.9	4.2	3.3	1.8
	30			7.8	7.5	7.1	6.8	6.5	6.1	5.8	5.4	5.1	4.8	4.4	3.6	2.3		
	50	7.7	7.4	7.0	6.7	6.3	6.0	5.7	5.3	5.0	4.7	4.3	3.9	3.4	2.0			
1 HP	PSI	120'	140'	160'	180'	200'	220'	240'	260'	280'	300'	340'	380'	420'	460'	500'	540'	
	0						7.6	7.3	.1	6.8	6.5	6.0	5.4	4.9	4.3	3.6	2.6	
	30			7.5	7.2	6.9	6.7	6.4	6.1	5.8	5.6	5.0	4.5	3.8	2.9	1.5		
	50	7.4	7.1	6.9	6.6	6.3	6.0	5.7	5.5	5.2	4.9	4.4	3.7	2.7	1.2			

FRICITION LOSSES IN RISER PIPE HAVE NOT BEEN CALCULATED

J Series - 5 GPM



Submersible Pumps

1 1/2 HP	PSI	160'	180'	200'	220'	240'	260'	280'	300'	340'	380'	420'	460'	500'	540'	580'	620'	660'
	0					7.8	7.6	7.4	7.2	6.7	6.2	5.7	5.3	4.8	4.4	3.8	3.0	1.9
	30			7.5	7.3	7.1	6.8	6.6	6.3	5.9	5.4	5.0	4.5	4.0	3.3	2.3		
	50	7.4	7.2	7.0	6.7	6.5	6.3	6.0	5.8	5.3	4.9	4.4	3.9	3.1	2.1			

2 HP	PSI	200'	220'	240'	260'	280'	300'	340'	380'	420'	460'	500'	540'	580'	620'	660'	700'	740'	780'
	0						7.7	7.3	6.9	6.5	6.2	5.8	5.4	5.0	4.6	4.2	3.7	3.0	2.1
	30				7.4	7.2	7.0	6.7	6.3	5.9	5.5	5.1	4.7	4.3	3.8	3.2	2.4	1.2	
	50	7.5	7.4	7.2	7.0	6.8	6.6	6.2	5.8	5.4	5.0	4.7	4.2	3.7	3.1	2.2			

FRICITION LOSSES IN RISER PIPE HAVE NOT BEEN CALCULATED