

26000 Series 4" Stainless Steel Pump End



A.Y. McDonald offers a full line of submersible pump ends ranging from 1/2 horsepower through 10 horsepower. Our submersibles offer peak capacity performance in 5, 10, 18, 25, 40, and 70 GPM.

- Stainless steel construction designed and built for years of trouble free operation
- Stainless steel discharge head with built-in check valve
- Max. ambient temperature (Liquid): 140°F (60°C)
- High quality shaft bearings
- Pumped Liquids: clean, non-corrosive and non-abrasive liquids
- Shaft is made of 431 stainless steel, all other metal parts are made of 304 stainless steel
- High-efficiency stainless steel impellers & diffusers
- Stainless Steel suction screen and strainer
- Specifications for mounting are according to NEMA standards
- Powered by A.Y. McDonald Motors

Submersible Pumps



How to Order 4" Stainless Steel Pump

Order by Model Number - Example: 26050K3ALB

26	050	K	3	A	LB
Pump Model 4" Submersible Stainless Steel Pumps are Model 26	Horsepower 050 - 1/2 HP 075 - 3/4 HP 100 - 1 HP 150 - 1 1/2 HP 200 - 2 HP 300 - 3 HP 500 - 5 HP 750 - 7 1/2 HP 1000 - 10 HP	Series J Series - 5 GPM K Series - 10 GPM P Series - 18 GPM M Series - 25 GPM G Series - 40 GPM H Series - 70 GPM	Wires Two wire or Three wire	Other Leave blank for 230V 60 HZ, Single Phase (Standard) A - 115V Single Phase Other Options - Contact Factory Z - 230V Three Phase Y - 460V Three Phase	Controls Leave blank for Control (Standard) LB - Less box (Single Phase Option) LS - Less starter (Three Phase Option)

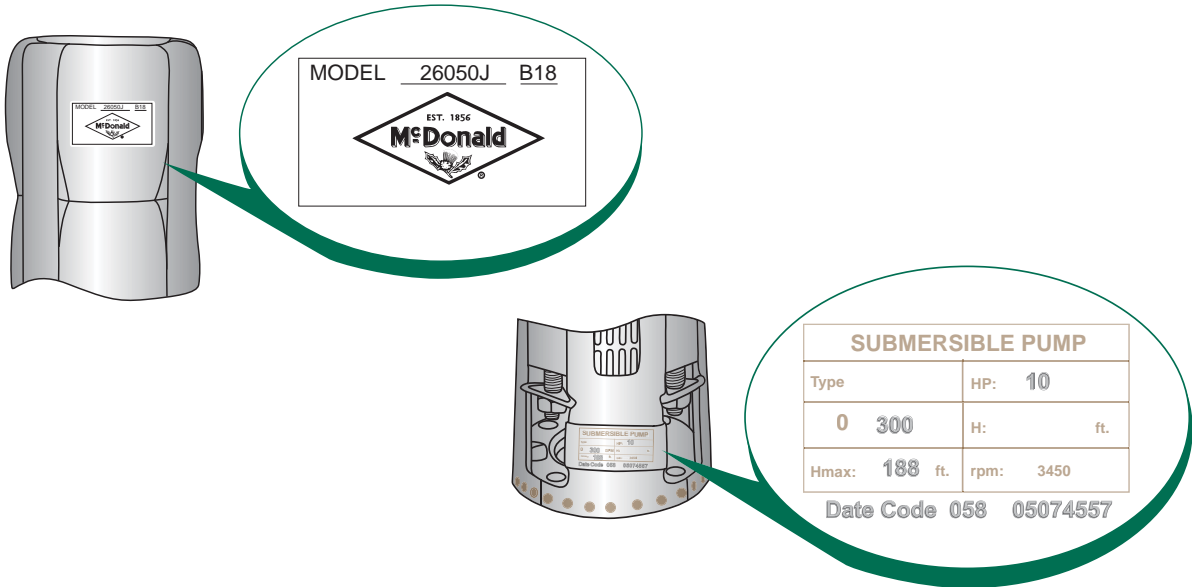
Submersible Pumps

Model 26050K3ALB is a 1/2 HP, three wire, 115 volt, single phase all stainless steel 4" submersible pump, less control box designed to pump in the 10 GPM range.

NOTES

- Standard is 230V, Single Phase, 60 HZ (no suffix letter required)
- Two-Wire Single phase models include; pump, motor, leads.
- Three-Wire Single phase models include; pump, motor, leads, and control box.
- Three-Wire Three phase models include; pump, motor, leads, and starter kit.
- All submersible pumps include internal check valves and grounded lead on motor.

How to Identify Pump Ends in the Field



J Series - 5 GPM

A.Y. McDonald offers a full line of submersible pump ends built for years of trouble free operation, with high-efficiency stainless steel impellers and diffusers. These submersibles offer peak capacity performance in 5, 10, 18, 25, 40, and 70 gallons per minute (GPM). Other features include stainless steel discharge head with a built-in check valve, stainless steel suction screen, and stainless steel shaft and coupling.

All J Series Stainless Steel Pump Ends come with a 1 1/4" discharge and sizes range from 1/2 to 2 horse power (HP).

Two Wire Single Phase

Model No.	HP	Stages	A	B	C	D	Pump Wt.	Motor Wt.	Total Wt.
26050J2	1/2	13	16.8	9.5	26.3	3.82	8.4	18	26.4
26050J2A	1/2	13	16.8	9.5	26.3	3.82	8.4	18	26.4
26075J2	3/4	18	21	10.6	31.6	3.82	10.6	21	31.6
26100J2	1	22	24.3	11.7	36	3.82	12.1	24	36.1
26150J2	1 1/2	26	27.5	15.1	42.6	3.82	13.7	31	44.7

Three Wire** Single Phase

Model No.	HP	Stages	A	B	C	D	Pump Wt.	Motor Wt.	Total Wt.
26050J3	1/2	13	16.8	9.5	26.3	3.82	8.4	19	27.4
26050J3A	1/2	13	16.8	9.5	26.3	3.82	8.4	19	27.4
26075J3	3/4	18	21	10.6	31.6	3.82	10.6	21	31.6
26100J3	1	22	24.3	11.7	36	3.82	12.1	24	36.1
26150J3	1 1/2	26	27.5	13.6	41.1	3.82	13.7	28	41.7
26200J3	2	31	31.7	15.1	46.8	3.82	15.9	33	48.9

Pump Ends

Model No.	HP	Stages	A	C	D	Wt.
26050J	1/2	13	16.8	16.8	3.82	8.4
26075J	3/4	18	21	21	3.82	10.6
26100J	1	22	24.3	24.3	3.82	12.1
26150J	1 1/2	26	27.5	27.5	3.82	13.7
26200J	2	31	31.7	31.7	3.82	15.9

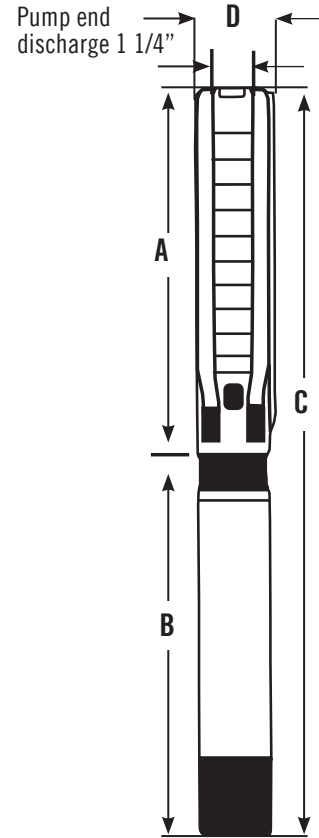


Fig. A

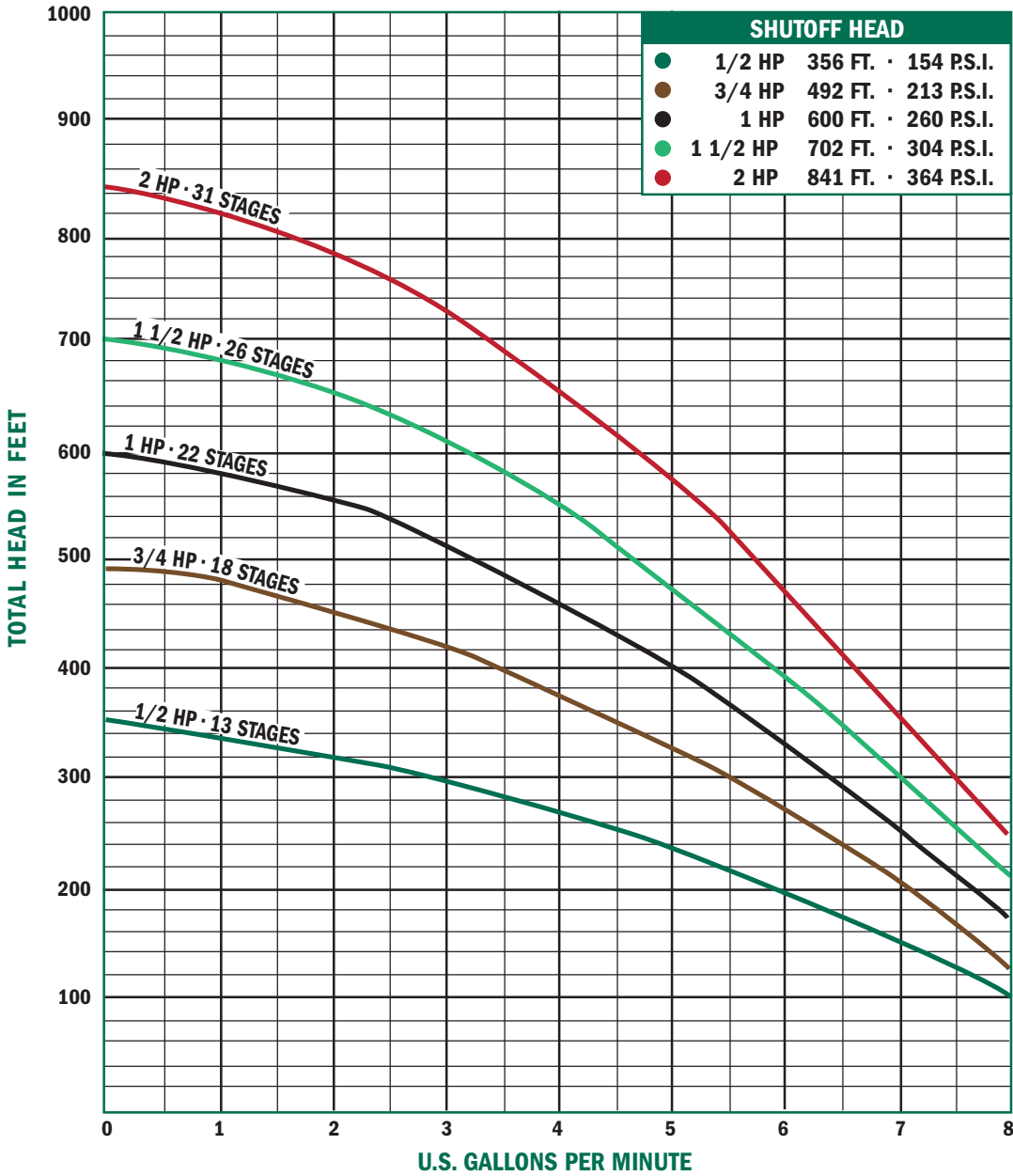
** All three wire pumps are available in three phase by selecting pump end and appropriate motor and starter kit (see pages 108-118).

Output - in Gallons Per Minute (Depth to Water)

1/2 HP	PSI	20'	40'	60'	80'	100'	120'	140'	160'	180'	200'	220'	240'	260'	280'	300'		
	0							7.4	6.9	6.5	6.0	5.5	5.1	4.6	4.1	3.4		
	30				7.2	6.7	6.2	5.8	5.3	4.9	4.4	3.8	3.1	2.0				
	50	7.5	7.0	6.6	6.1	5.6	5.2	4.7	4.2	3.6	2.8	1.5						
3/4 HP	PSI	60'	80'	100'	120'	140'	160'	180'	200'	220'	240'	260'	280'	300'	340'	380'	420'	460'
	0						7.9	7.6	7.3	7.0	6.6	6.3	5.9	5.6	4.9	4.2	3.3	1.8
	30			7.8	7.5	7.1	6.8	6.5	6.1	5.8	5.4	5.1	4.8	4.4	3.6	2.3		
	50	7.7	7.4	7.0	6.7	6.3	6.0	5.7	5.3	5.0	4.7	4.3	3.9	3.4	2.0			
1 HP	PSI	120'	140'	160'	180'	200'	220'	240'	260'	280'	300'	340'	380'	420'	460'	500'	540'	
	0						7.6	7.3	.1	6.8	6.5	6.0	5.4	4.9	4.3	3.6	2.6	
	30			7.5	7.2	6.9	6.7	6.4	6.1	5.8	5.6	5.0	4.5	3.8	2.9	1.5		
	50	7.4	7.1	6.9	6.6	6.3	6.0	5.7	5.5	5.2	4.9	4.4	3.7	2.7	1.2			

FRICITION LOSSES IN RISER PIPE HAVE NOT BEEN CALCULATED

J Series - 5 GPM



Submersible Pumps

1 1/2 HP	PSI	160'	180'	200'	220'	240'	260'	280'	300'	340'	380'	420'	460'	500'	540'	580'	620'	660'
	0					7.8	7.6	7.4	7.2	6.7	6.2	5.7	5.3	4.8	4.4	3.8	3.0	1.9
	30			7.5	7.3	7.1	6.8	6.6	6.3	5.9	5.4	5.0	4.5	4.0	3.3	2.3		
	50	7.4	7.2	7.0	6.7	6.5	6.3	6.0	5.8	5.3	4.9	4.4	3.9	3.1	2.1			

2 HP	PSI	200'	220'	240'	260'	280'	300'	340'	380'	420'	460'	500'	540'	580'	620'	660'	700'	740'	780'
	0						7.7	7.3	6.9	6.5	6.2	5.8	5.4	5.0	4.6	4.2	3.7	3.0	2.1
	30				7.4	7.2	7.0	6.7	6.3	5.9	5.5	5.1	4.7	4.3	3.8	3.2	2.4	1.2	
	50	7.5	7.4	7.2	7.0	6.8	6.6	6.2	5.8	5.4	5.0	4.7	4.2	3.7	3.1	2.2			

FRICITION LOSSES IN RISER PIPE HAVE NOT BEEN CALCULATED

K Series - 10 GPM

A.Y. McDonald offers a full line of submersible pump ends built for years of trouble free operation, with high-efficiency stainless steel impellers and diffusers. These submersibles offer peak capacity performance in 5, 10, 18, 25, 40, and 70 gallons per minute (GPM). Other features include stainless steel discharge head with a built-in check valve, stainless steel suction screen, and stainless steel shaft and coupling.

All K Series Stainless Steel Pump Ends come with a 1 1/4" discharge and sizes range from 1/2 to 3 horse power (HP).

Two Wire Single Phase

Model No.	HP	Stages	A	B	C	D	Pump Wt.	Motor Wt.	Total Wt.
26050K2	1/2	9	13.5	9.5	23	3.82	6.9	8.4	15.3
26050K2A	1/2	9	13.5	9.5	23	3.82	6.9	8.4	15.3
26075K2	3/4	12	16	10.6	26.6	3.82	8	10.6	18.6
26100K2	1	15	18.5	11.7	30.2	3.82	9.3	12.1	21.4
26150K2	1 1/2	21	23.5	13.6	37.1	3.82	12.6	13.7	26.3

Three Wire** Single Phase

Model No.	HP	Stages	A	B	C	D	Pump Wt.	Motor Wt.	Total Wt.
26050K3	1/2	9	13.5	9.5	23	3.82	6.9	19	25.9
26050K3A	1/2	9	13.5	9.5	23	3.82	6.9	19	25.9
26075K3	3/4	12	16	10.6	26.6	3.82	8	21	29
26100K3	1	15	18.5	11.7	30.2	3.82	9.3	24	33.3
26150K3	1 1/2	21	23.5	13.6	37.1	3.82	12.6	28	40.6
26200K3	2	27	28.4	15.1	43.5	3.82	15.9	30	45.9
26300K3	3	34	34.2	23.5	57.7	3.82	19	54	73

Pump Ends

Model No.	HP	Stages	A	C	D	Wt.
26050K	1/2	9	13.5	13.5	3.82	6.9
26075K	3/4	12	16	16	3.82	8
26100K	1	15	18.5	18.5	3.82	9.3
26150K	1 1/2	21	23.5	23.5	3.82	12.6
26200K	2	27	28.4	28.4	3.82	15
26300K	3	34	34.2	34.2	3.82	19

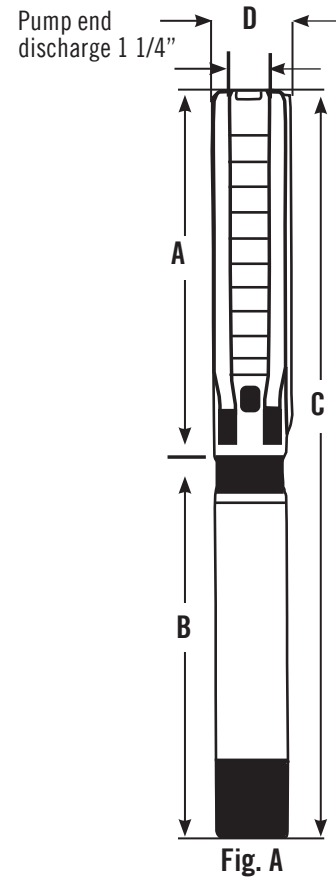


Fig. A

** All three wire pumps are available in three phase by selecting pump end and appropriate motor and starter kit (see pages 108-118).

Output - in Gallons Per Minute (Depth to Water)

1/2 HP	PSI	20'	40'	60'	80'	100'	120'	140'	160'	180'	200'	220'	240'
	0		16.2	15.5	14.8	14.0	13.1	12.1	11.0	9.8	8.3	6.3	3.1
	30	14.4	13.6	12.6	11.6	10.4	9.1	7.5	5.0				
	50	12.3	11.2	10.1	8.7	6.8	4.0						

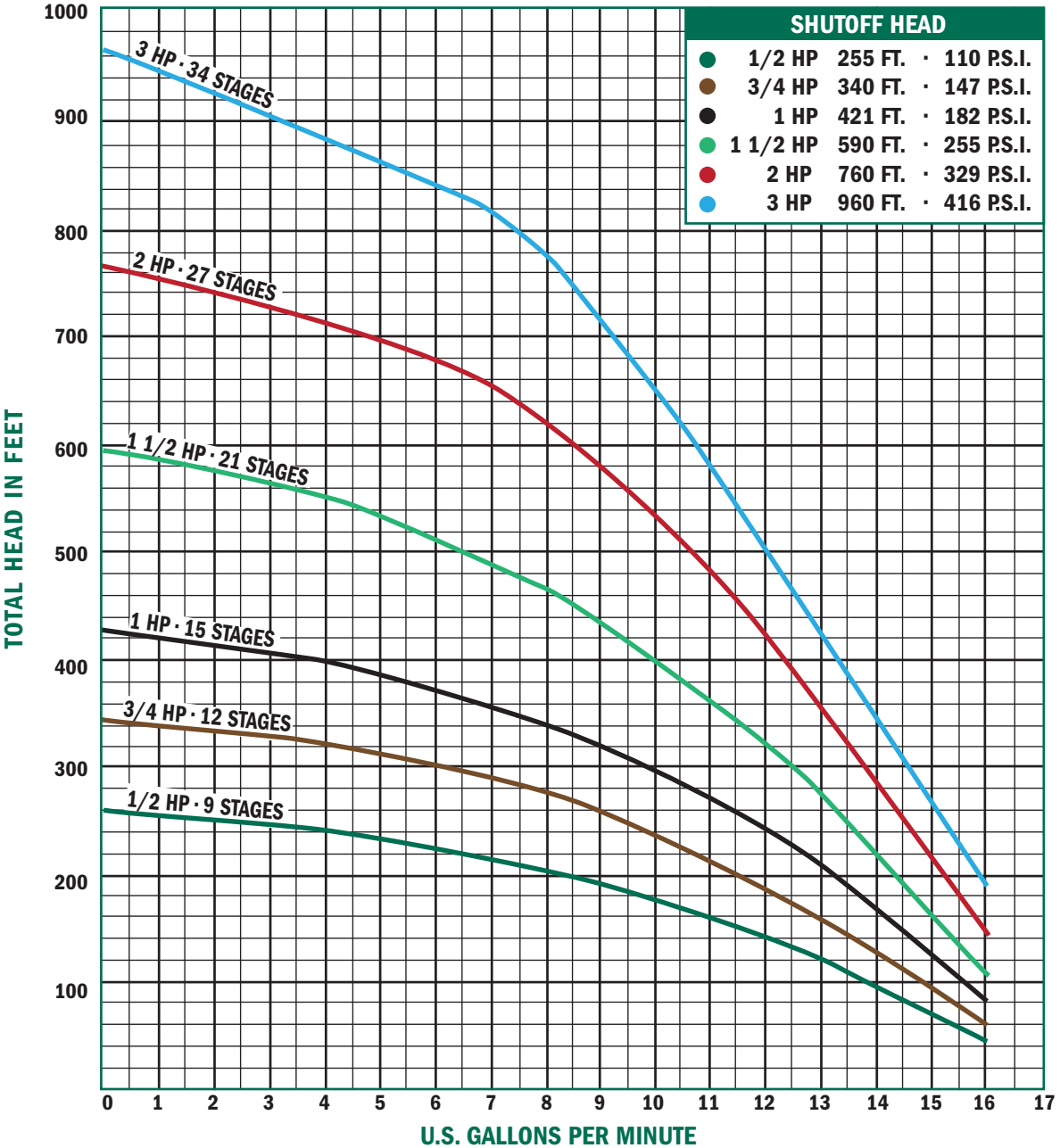
3/4 HP	PSI	20'	40'	60'	80'	100'	120'	140'	160'	180'	200'	220'	240'	260'	280'	300'
	0			16.0	15.5	15.0	14.4	13.8	13.1	12.3	11.5	10.7	9.8	8.7	7.4	5.6
	30	15.3	14.7	14.1	13.4	12.7	12.0	11.1	10.3	9.3	8.1	6.6	4.6			
	50	13.9	13.2	12.5	11.7	10.9	10.0	9.0	7.7	6.0	3.8					

1 HP	PSI	20'	40'	60'	80'	100'	120'	140'	160'	180'	200'	220'	240'	260'	280'	300'	340'	380'
	0				16.0	15.8	15.5	15.0	14.5	13.9	13.2	12.5	11.8	11.2	10.5	9.8	8.0	5.2
	30	15.9	15.6	15.3	14.8	14.2	13.6	12.9	12.2	11.5	10.8	10.1	9.4	8.5	7.4	6.1		
	50	15.1	14.6	14.0	13.4	12.7	12.0	11.3	10.6	9.9	9.1	8.2	7.1	5.6	3.6			

FRICITION LOSSES IN RISER PIPE HAVE NOT BEEN CALCULATED

Submersible Pumps

K Series - 10 GPM



Submersible Pumps

1 1/2 HP	PSI	20'	40'	60'	80'	100'	120'	140'	160'	180'	200'	220'	240'	260'	280'	300'	340'	380'	420'	460'	500'	540'
	0						15.8	15.5	15.2	14.9	14.6	14.2	13.9	13.5	13.1	12.6	11.8	10.8	9.8	8.5	6.9	4.6
	30		16.0	15.7	15.4	15.1	14.8	14.4	14.1	13.7	13.3	12.9	12.4	12.0	11.5	11.1	10.1	8.9	7.4	5.3	2.3	
	50	15.6	15.3	15.0	14.7	14.3	13.9	13.6	13.2	12.7												

2 HP	PSI	20'	40'	60'	80'	100'	120'	140'	160'	180'	200'	220'	240'	260'	280'	300'	340'	380'	420'	460'	500'	540'	580'	620'	660'	700'
	0				16.4	16.2	16.0	15.8	15.5	15.3	15.1	14.8	14.6	14.3	14.0	13.4	12.7	12.1	11.3	10.6	9.8	8.8	7.7	6.3	4.3	
	30				15.9	15.7	15.2	15.0	14.7	14.4	14.1	13.8	13.5	13.2	12.9	12.2	11.5	10.8	10.0	9.1	8.0	6.7	4.9	2.5		
	50	16.0	15.8	15.6	15.4	15.1	14.9	14.6	14.3	14.1	13.8	13.4	13.1	12.8	12.5	12.1	11.4	10.7	9.9	9.0	7.8	6.4	4.6	2.1		

3 HP	PSI	60'	80'	100'	120'	140'	160'	180'	200'	220'	240'	260'	280'	300'	340'	380'	420'	460'	500'	540'	580'	620'	660'	700'	740'	780'	820'	860'	900'
	0							15.9	15.8	15.6	15.4	15.2	15.0	14.8	14.4	14.0	13.5	13.0	12.4	11.9	11.3	10.7	10.1	9.4	8.6	7.7	6.6	5.2	3.5
	30			16.0	15.9	15.7	15.5	15.3	15.1	14.9	14.7	14.5	14.3	14.1	13.6	13.1	12.6	12.0	11.5	10.9	10.3	9.6	8.9	8.0	6.9	5.6	4.0		
	50	16.0	15.8	15.6	15.5	15.3	15.1	14.9	14.7	14.5	14.2	14.0	13.8	13.5	13.0	12.5	12.0	11.4	10.8	10.2	9.5	8.7	7.8	6.7	5.4	3.7			

FRICITION LOSSES IN RISER PIPE HAVE NOT BEEN CALCULATED

P Series - 18 GPM

A.Y. McDonald offers a full line of submersible pump ends built for years of trouble free operation, with high-efficiency stainless steel impellers and diffusers. These submersibles offer peak capacity performance in 5, 10, 18, 25, 40, and 70 gallons per minute (GPM). Other features include stainless steel discharge head with a built-in check valve, stainless steel suction screen, and stainless steel shaft and coupling.

All P Series Stainless Steel Pump Ends come with a 1 1/4" discharge and sizes range from 1/2 to 5 horse power (HP).

Two Wire Single Phase

Model No.	HP	Stages	A	B	C	D	Pump Wt.	Motor Wt.	Total Wt.
26050P2	1/2	5	10.3	9.5	19.8	3.82	5.1	19	24.1
26050P2A	1/2	5	10.3	9.5	19.8	3.82	5.1	19	24.1
26075P2	3/4	7	11.7	10.6	22.3	3.82	6	21	27
26100P2	1	9	13.4	11.7	25.1	3.82	6.9	24	30.9
26150P2	1 1/2	13	16.9	13.6	30.5	3.82	8.6	28	36.6

Three Wire** Single Phase

Model No.	HP	Stages	A	B	C	D	Pump Wt.	Motor Wt.	Total Wt.
26050P3	1/2	5	10.3	9.5	19.8	3.82	5.1	19	24.1
26050P3A	1/2	5	10.3	9.5	19.8	3.82	5.1	19	24.1
26075P3	3/4	7	11.7	10.6	22.3	3.82	6	21	27
26100P3	1	9	13.4	11.7	25.1	3.82	6.9	24	30.9
26150P3	1 1/2	13	16.9	13.6	30.5	3.82	8.6	28	36.6
26200P3	2	17	20.2	15.1	35.3	3.82	10.4	30	40.4
26300P3	3	23	25.1	23.5	48.6	3.82	13	54	67
26500P3	5	36	35.9	29.5	65.4	3.82	18.7	65	83.7

Pump Ends

Model No.	HP	Stages	A	C	D	Wt.
26050P	1/2	5	10.3	10.3	3.82	5.1
26075P	3/4	7	11.7	11.7	3.82	6
26100P	1	9	13.4	13.4	3.82	6.9
26150P	1 1/2	13	16.9	16.9	3.82	8.6
26200P	2	17	20.2	20.2	3.82	10.4
26300P	3	23	25.1	25.1	3.82	13
26500P	5	36	35.9	35.9	3.82	18.7

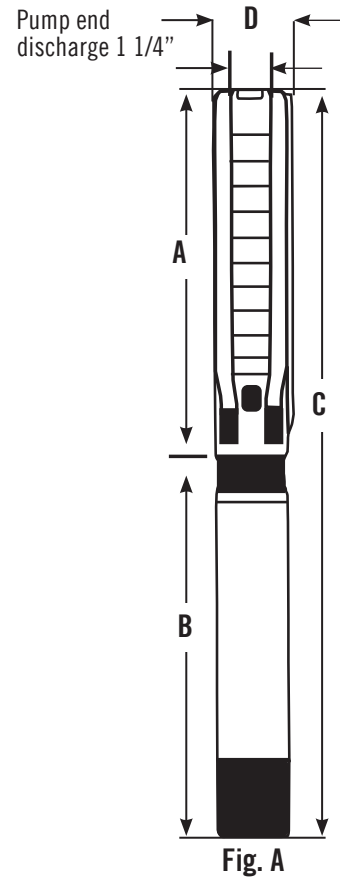


Fig. A

** All three wire pumps are available in three phase by selecting pump end and appropriate motor and starter kit (see pages 108-118).

Output - in Gallons Per Minute (Depth to Water)

1/2 HP	PSI	20'	40'	60'	80'	100'	120'	140'
	0		24.0	22.1	20.0	17.0	13.0	7.0
	30	18.8	15.0	10.0	2.5			
	50	8.0	1.0					

3/4 HP	PSI	20'	40'	60'	80'	100'	120'	140'	160'	180'
	0		25.4	23.6	22.7	21.2	19.3	17.1	14.5	10.5
	30	22.1	20.4	18.3	16.0	12.9	8.1			
	50	17.6	15.1	11.6	6.3					

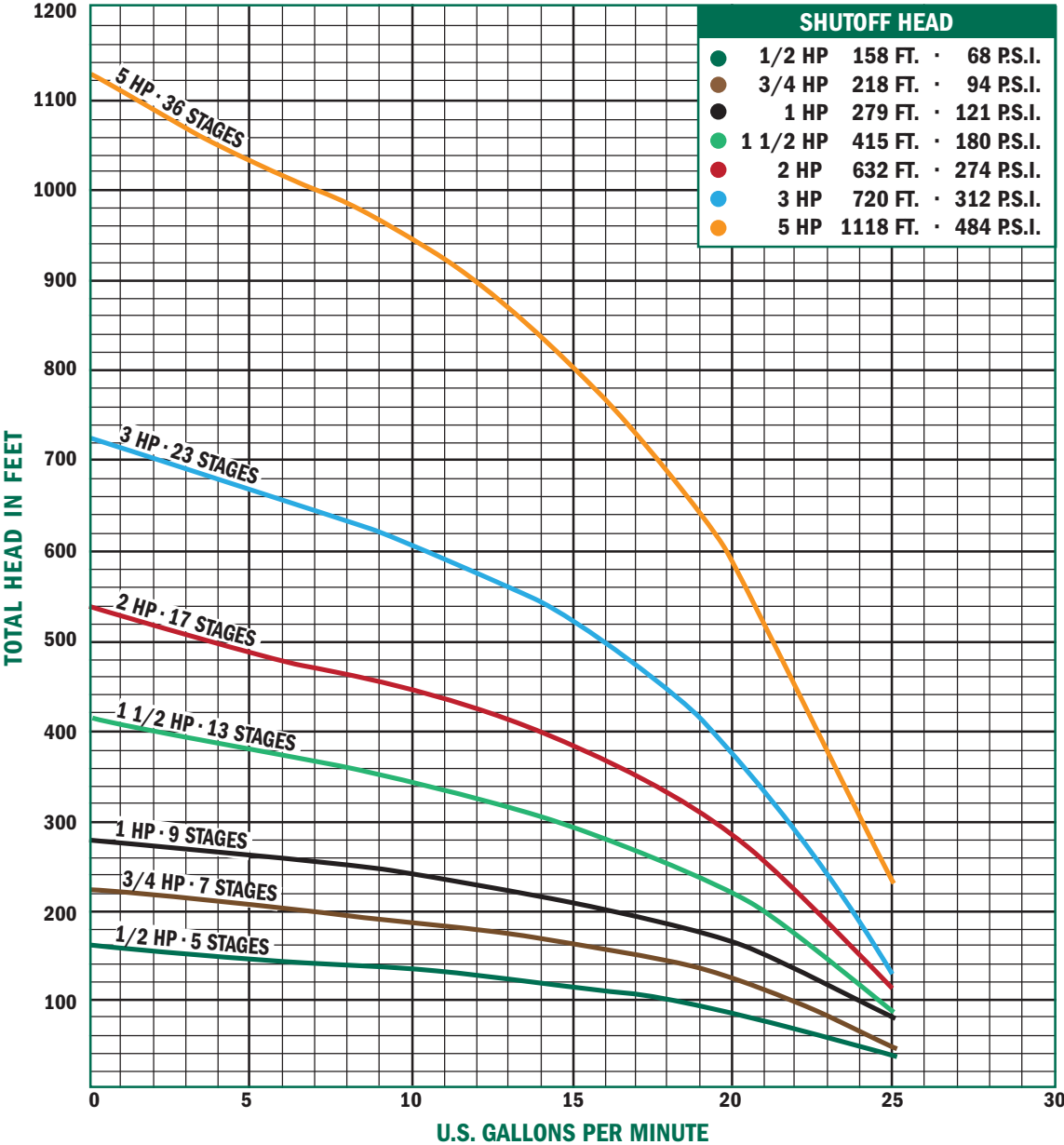
1 HP	PSI	20'	40'	60'	80'	100'	120'	140'	160'	180'	200'	220'	240'
	0			27.7	24.4	23.4	22.6	21.3	19.6	17.7	15.6	12.8	9.1
	30	23.8	23.1	22.1	20.6	18.8	16.8	14.4	11.2	7.0			
	50	21.7	20.0	18.2	16.1	13.5	10.0						

1 1/2 HP	PSI	20'	40'	60'	80'	100'	120'	140'	160'	180'	200'	220'	240'	260'	280'	300'	340'
	0			27.7	24.9	23.7	23.2	22.8	22.3	21.5	20.5	19.4	18.3	17.1	15.8	14.2	9.8
	30	24.2	23.5	23.1	22.6	21.9	21.0	20.0	18.9	17.8	16.5	15.1	13.4	11.2	8.5		
	50	22.9	22.4	21.7	20.7	19.7	18.6	17.4	16.1	14.6	12.7	10.4	7.5				

FRICITION LOSSES IN RISER PIPE HAVE NOT BEEN CALCULATED

Submersible Pumps

P Series - 18 GPM



Submersible Pumps

2 HP	PSI	20'	40'	60'	80'	100'	120'	140'	160'	180'	200'	220'	240'	260'	280'	300'	340'	380'	420'	460'
	0				27.4	25.2	24.1	23.6	23.2	22.9	22.5	22.0	21.3	20.6	19.8	18.9	17.1	15.0	12.1	8.1
	30	26.2	24.6	23.8	23.4	23.1	22.7	22.3	21.7	21.0	20.2	19.4	18.5	17.6	16.7	15.6	13.0	9.3		
50	23.6	23.3	23.0	22.6	22.1	21.5	20.7	19.9	19.1	18.2	17.3	16.4	15.3	14.0	12.5	8.6				

3 HP	PSI	20'	40'	60'	80'	100'	120'	140'	160'	180'	200'	220'	240'	260'	280'	300'	340'	380'	420'	460'	500'	540'	580'	620'
	0					28.3	26.2	24.9	24.2	23.7	23.4	23.2	23.0	22.7	22.3	21.9	20.9	19.7	18.5	17.1	15.6	13.8	11.4	8.3
	30		27.2	25.6	24.5	23.9	23.6	23.3	23.1	22.8	22.5	22.2	21.7	21.2	20.6	20.0	18.8	17.5	16.0	14.3	12.1	9.2		
50	25.2	24.3	23.8	23.5	23.2	23.0	22.8	22.4	22.0	21.6	21.0	20.5	19.9	19.2	18.6	17.3	15.8	14.0	11.7	8.7				

5 HP	PSI	40'	60'	80'	100'	120'	140'	160'	180'	200'	220'	240'	260'	280'	300'	340'	380'	420'	460'	500'	540'	580'	620'	660'	700'	740'	780'	820'	860'	900'	940'	980'
	0							28.1	26.7	25.7	24.9	24.4	24.0	23.7	23.5	23.2	22.9	22.6	22.1	21.5	20.8	20.0	19.2	18.4	17.6	16.7	15.7	14.6	13.2	11.7	9.9	7.8
	30				27.4	26.2	25.3	24.6	24.2	23.9	23.6	23.4	23.3	23.2	23.0	22.7	22.2	21.6	21.0	20.2	19.4	18.6	17.8	16.9	16.0	14.9	13.6	12.1	10.4	8.4	6.1	
50	28.4	27.0	25.9	25.1	24.5	24.1	23.8	23.6	23.4	23.3	23.1	23.0	22.8	22.6	22.1	21.5	20.8	20.1	19.3	18.5	17.6	16.8	15.8	14.7	13.4	11.9	10.1	8.0				

FRICITION LOSSES IN RISER PIPE HAVE NOT BEEN CALCULATED

M Series - 25 GPM

A.Y. McDonald offers a full line of submersible pump ends built for years of trouble free operation, with high-efficiency stainless steel impellers and diffusers. These submersibles offer peak capacity performance in 5, 10, 18, 25, 40, and 70 gallons per minute (GPM). Other features include stainless steel discharge head with a built-in check valve, stainless steel suction screen, and stainless steel shaft and coupling.

All M Series Stainless Steel Pump Ends come with a 1 1/2" discharge and sizes range from 1/2 to 7 1/2 horse power (HP).

Two Wire Single Phase

Model No.	HP	Stages	A	B	C	D	Pump Wt.	Motor Wt.	Total Wt.
26050M2	1/2	4	9.4	9.5	18.9	3.82	5.1	19	24.1
26050M2A	1/2	4	9.4	9.5	18.9	3.82	5.1	19	24.1
26075M2	3/4	5	10.3	10.6	20.9	3.82	5.3	21	26.3
26100M2	1	7	11.9	11.7	23.6	3.82	5.9	24	29.9
26150M2	1 1/2	9	13.5	13.6	27.1	3.82	6.8	28	34.8

Three Wire** Single Phase

Model No.	HP	Stages	A	B	C	D	Pump Wt.	Motor Wt.	Total Wt.
26050M3	1/2	4	9.4	9.5	18.9	3.82	5.1	19	24.1
26050M3A	1/2	4	9.4	9.5	18.9	3.82	5.1	19	24.1
26075M3	3/4	5	10.3	10.6	20.9	3.82	5.3	21	26.3
26100M3	1	7	11.9	11.7	23.6	3.82	5.9	24	29.9
26150M3	1 1/2	9	13.5	13.6	27.1	3.82	6.8	28	34.8
26200M3	2	11	15.2	15.1	30.3	3.82	8.1	30	38.1
26300M3	3	15	18.5	23.5	42	3.82	9.2	54	63.2
26500M3	5	26	27.6	29.5	57.1	3.82	14.3	65	79.3

Pump Ends

Model No.	HP	Stages	A	C	D	Wt.
26050M	1/2	4	9.4	9.4	3.82	5.1
26075M	3/4	5	10.3	10.3	3.82	5.3
26100M	1	7	11.9	11.9	3.82	5.9
26150M	1 1/2	9	13.5	13.5	3.82	6.8
26200M	2	11	15.2	15.2	3.82	8.1
26300M	3	15	18.5	18.5	3.82	9.2
26500M	5	26	27.6	27.6	3.82	14.3
26750M	7 1/2	39	39.3	39.3	3.82	20.3

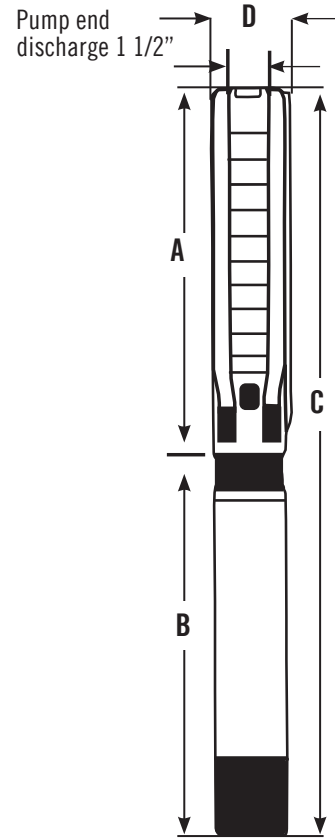


Fig. A

** All three wire pumps are available in three phase by selecting pump end and appropriate motor and starter kit (see pages 108-118).

Output - in Gallons Per Minute (Depth to Water)

1/2 HP	PSI	20'	40'	60'	80'	100'
	0		37.1	32.6	25.8	17.5
	30	22.4	9.7			
	50					

3/4 HP	PSI	20'	40'	60'	80'	100'	120'	140'
	0			35.9	32.6	25.0	19.7	7.8
	30	28.4	22.6	14.8				
	50	11.4						

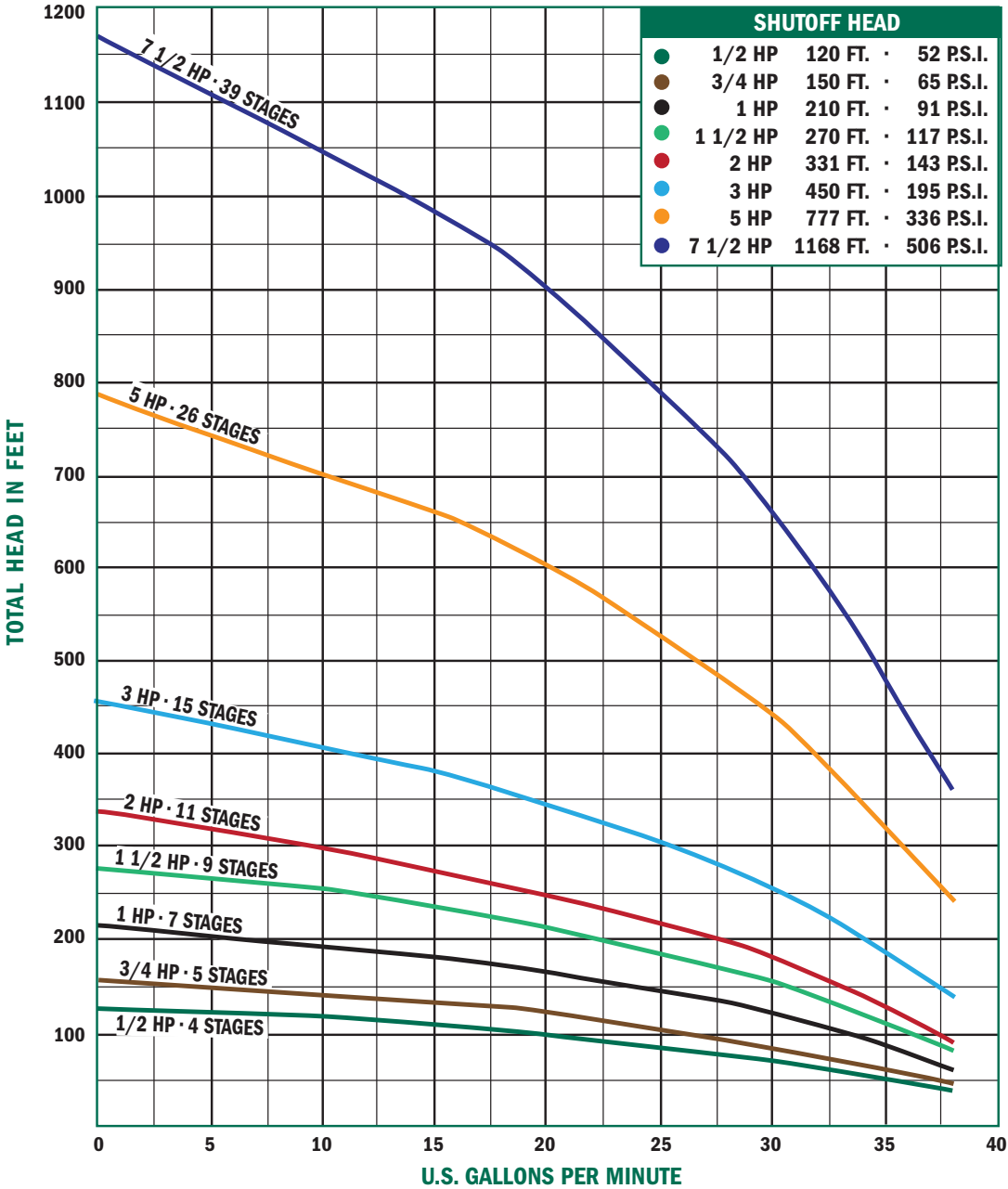
1 HP	PSI	20'	40'	60'	80'	100'	120'	140'	160'	180'
	0					33.4	29.8	26.0	20.8	13.2
	30		31.8	28.1	23.8	17.6	8.9			
	50	25.9	22.2	15.2						

1 1/2 HP	PSI	20'	40'	60'	80'	100'	120'	140'	160'	180'	200'	220'	240'
	0									31.8	29.0	26.0	22.1
	30				33.3	30.6	27.7	24.3	19.9	13.9			
	50	32.5	29.7	26.7	23.1	18.3	11.8						

2 HP	PSI	40'	60'	80'	100'	120'	140'	160'	180'	200'	220'	240'	260'	280'
	0							32.3	29.9	27.3	24.5	21.2	17.3	12.5
	30			33.4	31.2	28.7	26.0	23.0	19.5	15.2	10.1			
	50	32.8	30.5	27.9	25.1	22.0	18.2	13.7	8.4					

FRICITION LOSSES IN RISER PIPE HAVE NOT BEEN CALCULATED

M Series - 25 GPM



Submersible Pumps

3 HP	PSI	100'	120'	140'	160'	180'	200'	220'	240'	260'	280'	300'	340'	380'
	0							32.9	31.3	29.6	27.9	26.0	21.2	14.4
	30			33.8	32.2	30.5	28.8	27.0	25.0	22.7	19.9	16.5	8.0	
50	33.3	31.7	30.0	28.3	26.4	24.3	21.9	18.9	15.3	11.1				

5 HP	PSI	260'	280'	300'	340'	380'	420'	460'	500'	540'	580'	620'	660'	700'
	0					33.0	31.1	29.1	27.1	24.8	22.0	18.5	14.2	9.3
	30			33.5	31.6	29.7	27.6	25.4	22.8	19.5	15.5	10.6	8.0	
50	33.2	32.3	31.3	29.4	27.3	25.0	22.3	18.9	14.8	9.8				

7 1/2 HP	PSI	460'	500'	540'	580'	620'	660'	700'	740'	780'	820'	860'	900'	940'	980'	1020'	1060'
	0			33.9	32.7	31.4	30.1	28.8	27.4	26.0	24.3	22.5	20.3	17.9	15.0	11.8	8.4
	30		33.0	31.8	30.5	29.2	27.8	26.4	24.8	23.0	20.9	18.6	15.8	12.7	9.3		
50	32.8	31.6	30.3	29.0	27.6	26.1	24.5	22.7	20.6	18.1	15.3	12.2	8.8				

FRICITION LOSSES IN RISER PIPE HAVE NOT BEEN CALCULATED

G Series - 40 GPM

A.Y. McDonald offers a full line of submersible pump ends built for years of trouble free operation, with high-efficiency stainless steel impellers and diffusers. These submersibles offer peak capacity performance in 5, 10, 18, 25, 40, and 70 gallons per minute (GPM). Other features include stainless steel discharge head with a built-in check valve, stainless steel suction screen, and stainless steel shaft and coupling.

All G Series Stainless Steel Pump Ends come with a 2" discharge and sizes range from 1 to 10 horse power (HP).

Two Wire Single Phase

Model No.	HP	Stages	A	B	C	D	Pump Wt.	Motor Wt.	Total Wt.
26100G2	1	4	14.4	11.7	26.1	3.82	8.2	24	32.2
26150G2	1 1/2	5	16.1	13.6	29.7	3.82	9.3	28	37.3

Three Wire** Single Phase

Model No.	HP	Stages	A	B	C	D	Pump Wt.	Motor Wt.	Total Wt.
26100G3	1	4	14.4	11.7	26.1	3.82	8.2	24	32.2
26150G3	1 1/2	5	16.1	13.6	29.7	3.82	9.3	28	37.3
26200G3	2	7	19.4	15.1	34.5	3.82	11.5	30	41.5
26300G3	3	9	22.7	23.5	46.2	3.82	13.7	54	67.7
26500G3	5	12	27.7	29.5	57.2	3.82	17	65	82

Pump Ends

Model No.	HP	Stages	A	C	D	Wt.
26100G	1	4	14.4	14.4	3.82	8.2
26150G	1 1/2	5	16.1	16.1	3.82	9.3
26200G	2	7	19.4	19.4	3.82	11.5
26300G	3	9	22.7	22.7	3.82	13.7
26500G	5	12	27.7	27.7	3.82	17
26750G	7 1/2	21	42.5	42.5	3.82	26.7
261000G	10	30	57.6	57.6	3.82	37

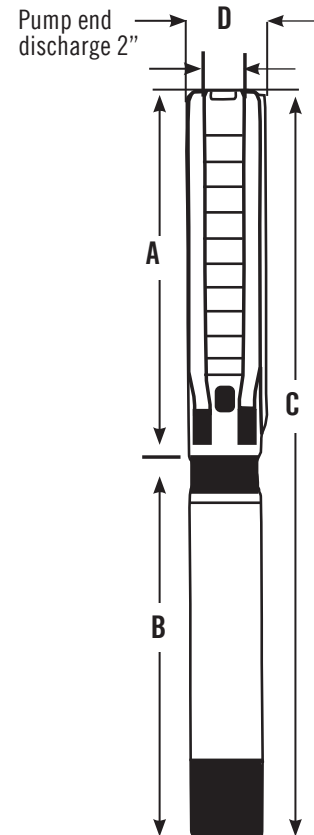


Fig. A

** All three wire pumps are available in three phase by selecting pump end and appropriate motor and starter kit (see pages 108-118).

Output - in Gallons Per Minute (Depth to Water)

1/2 HP	PSI	20'	40'	60'	80'	100'
	0		64.0	54.5	42.0	18.0
	30	32.0	6.0			
	50					

1 1/2 HP	PSI	20'	40'	60'	80'	100'	120'
	0			60.1	54.0	43.2	23.4
	30	50.0	35.0				
	50						

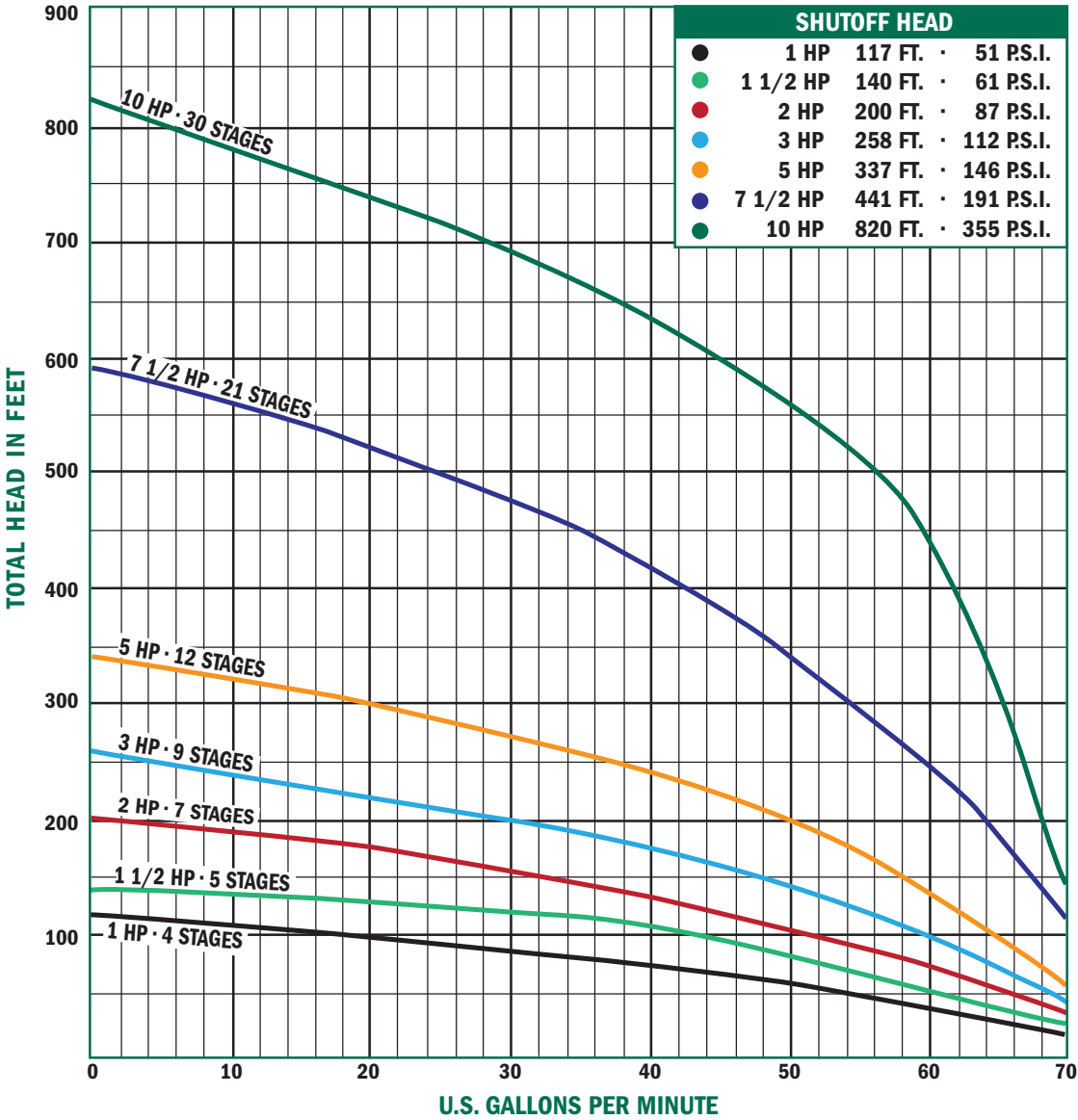
2 HP	PSI	20'	40'	60'	80'	100'	120'	140'	160'
	0				61.0	56.7	51.7	43.2	29.9
	30	58.9	54.7	48.3	37.6	22.3			
	50	45.5	33.2						

3 HP	PSI	20'	40'	60'	80'	100'	120'	140'	160'	180'	200'	220'
	0				65.6	61.5	58.1	54.8	50.2	43.2	33.2	20.8
	30	63.6	59.8	56.6	52.9	47.3	38.9	27.7				
	50	55.6	51.4	45.0	35.7	23.7						

5 HP	PSI	20'	40'	60'	80'	100'	120'	140'	160'	180'	200'	220'	240'	260'	280'
	0					63.2	60.6	58.3	55.8	52.6	48.2	42.2	34.6	25.6	
	30		64.8	62.0	59.5	57.2	54.4	50.7	45.6	38.9	30.6	21.2			
	50	61.2	58.8	56.4	53.4	49.3	43.7	36.5	27.8						

FRICITION LOSSES IN RISER PIPE HAVE NOT BEEN CALCULATED

G Series - 40 GPM



Submersible Pumps

7 1/2 HP	PSI	80'	100'	120'	140'	160'	180'	200'	220'	240'	260'	280'	300'	340'	380'	420'	460'	500'
	0								64.0	62.4	61.0	59.6	58.3	56.9	53.6	48.9	42.2	33.4
30				64.9	63.3	61.7	60.3	59.0	57.7	56.2	54.6	52.7	50.4	44.2	36.0	25.8		
50	64.4	62.8	61.3	59.9	58.6	57.2	55.8	54.0	52.0	49.5	46.6	43.1	34.5	24.2				

10 HP	PSI	150'	200'	250'	300'	350'	400'	450'	500'	550'	600'	650'	700'	750'	800'
	0	69.5	68.3	66.8	65.3	63.9	62.0	59.5	56.0	51	45	37.5	28	17.3	5
30	67.8	66.3	64.6	63.0	61.1	58.4	54.3	49.0	42	34.5	24.3	13			
50	66.4	64.8	63.2	61.3	58.9	55.1	49.8	43.2	35.6	25.8	14.4				

FRICTION LOSSES IN RISER PIPE HAVE NOT BEEN CALCULATED

H Series - 70 GPM

A.Y. McDonald offers a full line of submersible pump ends built for years of trouble free operation, with high-efficiency stainless steel impellers and diffusers. These submersibles offer peak capacity performance in 5, 10, 18, 25, 40, and 70 gallons per minute (GPM). Other features include stainless steel discharge head with a built-in check valve, stainless steel suction screen, and stainless steel shaft and coupling.

All H Series Stainless Steel Pump Ends come with a 2" discharge and sizes range from 2 to 10 horse power (HP).

Three Wire** Single Phase

Model No.	HP	Stages	A	B	C	D	Pump Wt.	Motor Wt.	Total Wt.
26200H3	2	3	14.9	15.1	30	3.82	8.2	30	38.2
26300H3	3	5	20	23.5	43.5	3.82	10.4	54	64.4
26500H3	5	8	27.7	29.5	57.2	3.82	13.7	65	78.7

Pump Ends

Model No.	HP	Stages	A	C	D	Wt.
26200H	2	3	14.9	14.9	3.82	8.2
26300H	3	5	20	20	3.82	10.4
26500H	5	8	27.7	27.7	3.82	13.7
26750H	7 1/2	12	37.9	37.9	3.82	18
261000H	10	16	53	53	3.82	29

** All three wire pumps are available in three phase by selecting pump end and appropriate motor and starter kit (see pages 108-118).

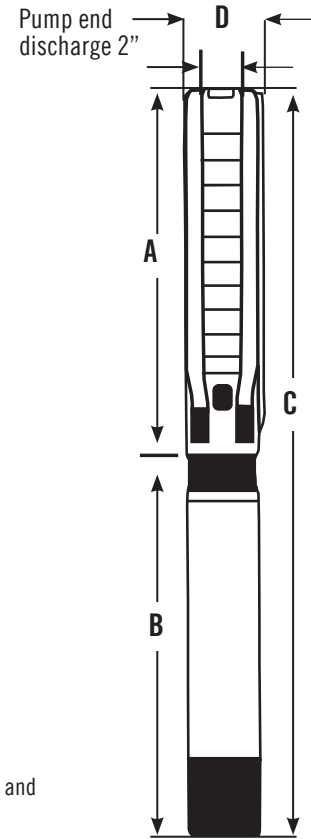


Fig. A

Output - in Gallons Per Minute (Depth to Water)

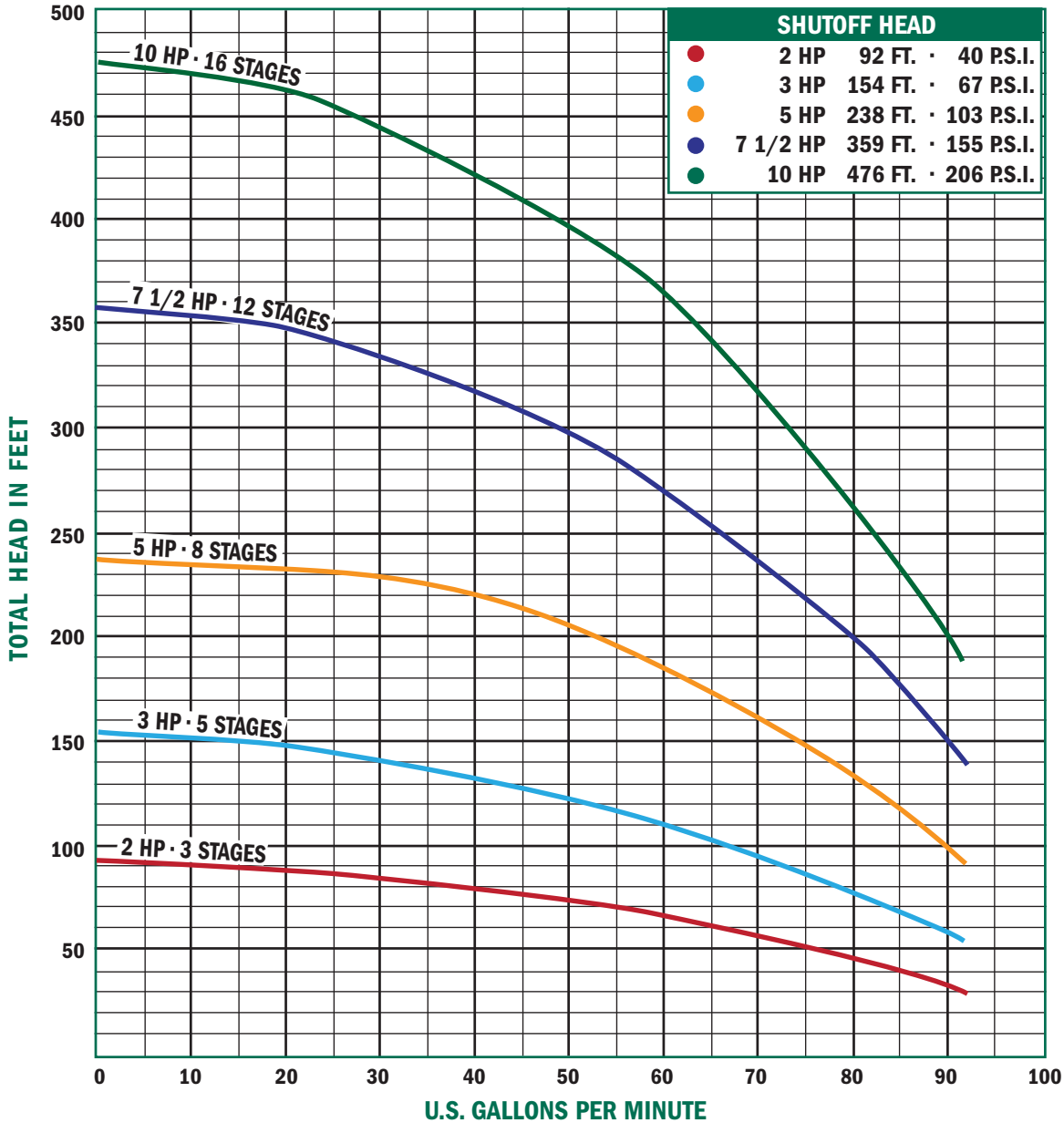
2 HP	PSI	20'	40'	60'	80'
	0		89.1	68.9	38.8
	30	60.8			
	50				

3 HP	PSI	20'	40'	60'	80'	100'	120'
	0			91.1	78.8	68.9	51.0
	30	74.1	61.8	42.1			
	50	37.1					

5 HP	PSI	20'	40'	60'	80'	100'	120'	140'	160'	180'	200'
	0					88.9	84.8	78.5	69.4	59.4	49.7
	30	91.0	87.2	82.3	74.6	64.7	54.9	44.4			
	50	80.2	71.6	61.6	51.9	39.8					

FRICTION LOSSES IN RISER PIPE HAVE NOT BEEN CALCULATED

H Series - 70 GPM



Submersible Pumps

7½ HP	PSI	40'	60'	80'	100'	120'	140'	160'	180'	200'	220'	240'	260'	280'	300'
	0						90.2	87.7	84.8	81.0	75.7	69.4	62.7	56.1	49.7
30				89.0	86.4	83.2	78.7	72.9	66.3	59.6	53.2	46.3			
50	88.2	85.5	81.9	77.0	70.9	64.2	57.6	51.2	43.7						

10 HP	PSI	40'	60'	80'	100'	120'	140'	160'	180'	200'	220'	240'	260'	280'	300'	340'	380'	420'
	0								88.5	86.4	85.2	84.3	83.2	81.3	78.4	74.5	64.5	54.2
30				90.1	87.4	85.7	84.7	83.8	82.4	80.1	76.7	72.4	67.4	62.1	56.9	47.0		
50	89.2	86.8	85.4	83.5	81.8	79.2	75.5	70.9	65.7	60.4	55.4	50.5	45.2					

FRICITION LOSSES IN RISER PIPE HAVE NOT BEEN CALCULATED