

Mini Mac Transfer Pump Kits

The mini mac transfer pump kit can handle most domestic and commercial pump requirements. With a durable cast brass and stainless steel construction this pump is designed for long life and can withstand temperatures ranging from 40° to 130°F.

Application:

Emptying water heaters, bilge pumping, bait tanks, liquid transfer, clogged sinks, dewatering, and any common small household job.

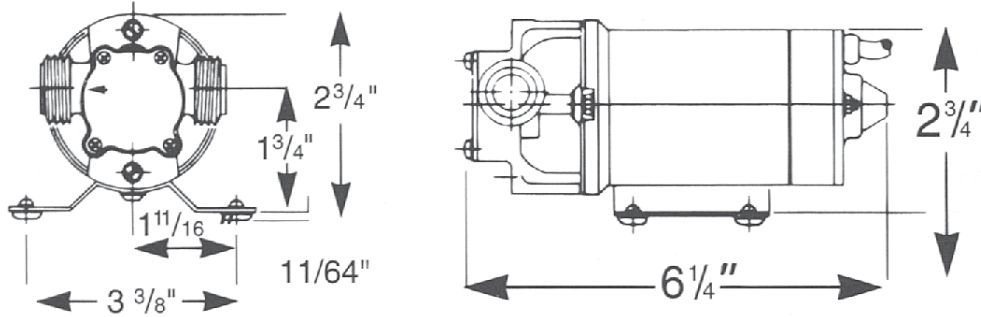
* Medium being pumped must be compatible with pump materials.
Not for use with flammable liquids.

Features:

- Buna N impeller and lip seal
- Inlet and outlet are 3/4" male garden hose
- Self priming to 7 feet
- Available 115V AC



300611TPK Dimensions | 115V AC 3/4" Garden Hose Threads External



Model Includes:

Replacement impeller



Puddle scoop and 6' suction hose for
draining flat surfaces



Mini Mac

Transfer Pump Kits

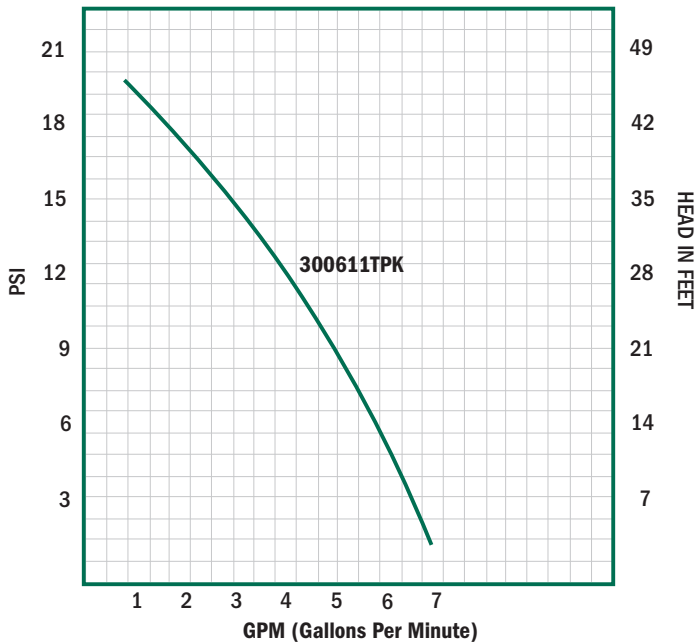
Specifications for Flexible Impeller Transfer Pump

Specifications

Power supply required	115V 60 Hz	Impeller & lip seal	Nitrile
Motor, full load amps (fuse size)	2.0 Amps	Lip seal metal retain	BL 22
Motor type (design)	Universal	Motor shaft material	416 S.S.
Motor leads and length	6' Cord	Ports	3/4" external hose, Thread suction & discharge
HP	1/6	Pump gasket	Paper
Dimensions (overall) not include base	6 1/4" L x 3 1/2" H x 3 1/4" W	Cover	316 S.S.
Maximum liquid temperature	130°F	Screws	18-8 S.S.
Minimum	40°F	Slinger	Neoprene
Pump body material	Environmental Safe, No-Lead Alloy	Shipping weight	6 lbs.

Dewatering Pumps

Performance Curve



Performance (GPH)

Model	1 FT.	5FT.	10 FT.	15 FT.	20 FT.	30 FT.	40 FT.	Shut-Off	Wt.
300611TPK	400	390	358	330	295	225	120	48	6

Model	Description	Wt.
300622RK	Impeller Repair Kit (Use repair parts discount)	1