

5030CTSP Sump Pumps

With a rugged cast iron construction, the 5030CTSP can handle up to 46 gallons per minute.

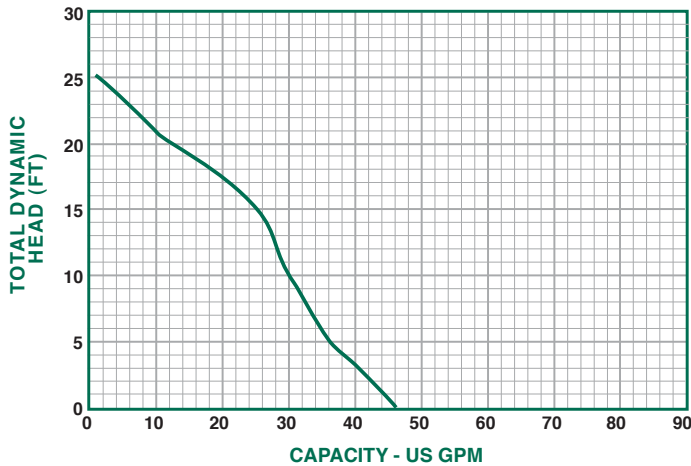
Features:

- Split Capacitor Motor - 3/10 HP continuous duty, thermal protected
- Lifts water up to 25' of vertical height
- 10' power cord, 25' cords are available for an additional charge
- Large 1 1/2" discharge for high capacity pumping
- Non-clogging stainless steel impeller
- Tethered float switch

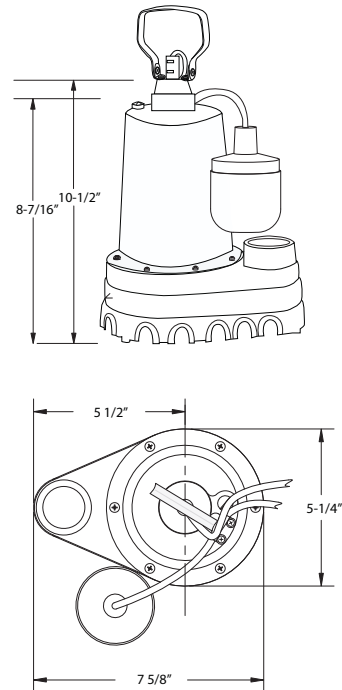


See Pumps & Accessories Price List for Limited Warranty details.

Performance Curve



Dimensions



Performance

Model	Gallons per Minute in Feet					
	0	5	10	15	20	25
5030CTSP	46	36	30	25	12	1

Specifications

Model No.	HP	Volts	Hz	Amps	Construction	Discharge Size	Cord Length	Solids Handling	RPM	Phase	Wt.
5030CTSP	3/10	120	60	4.1	Cast Iron	1 1/2"	10'	3/8"	3450	1	19