

5033PVSP Sump Pumps

With a tough thermoplastic construction, the 5033PVSP can handle up to 40 gallons per minute.

Features:

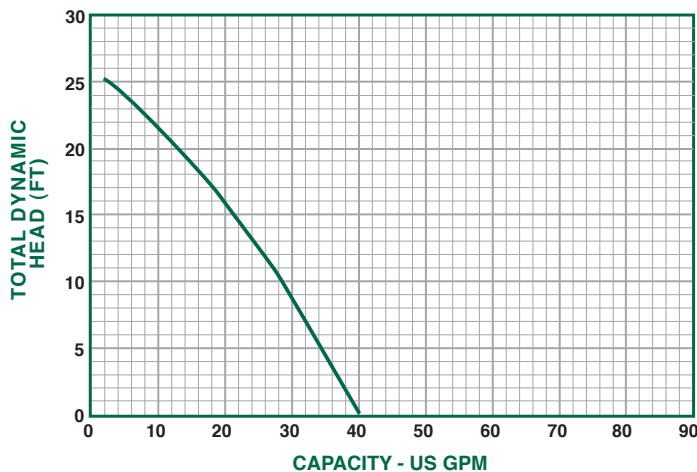
- Split Capacitor Motor - 1/3 HP continuous duty, thermal protected
- Lifts water up to 25' of vertical height
- 10' power cord, 25' cords are available for an additional charge
- Large 1 1/4" or 1 1/2" discharge for high capacity pumping
- Also available without a switch
- Clog resistant impeller
- Vertical float switch



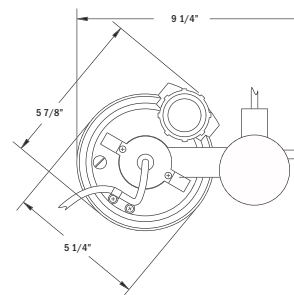
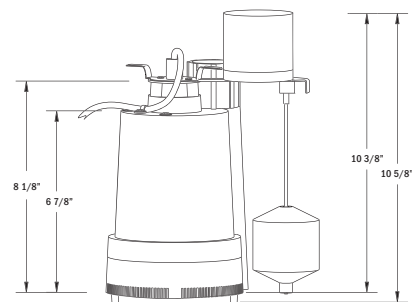
See Pumps & Accessories Price List for Limited Warranty details.



Performance Curve



Dimensions



Performance

Model	Gallons per Minute in Feet					
	0	5	10	15	20	25
5033PVSP	40	34	28	22	12	2

Specifications

Model No.	HP	Volts	Hz	Amps	Construction	Discharge Size	Cord Length	Solids Handling	RPM	Phase	Wt.
5033PVSP	1/3	120	60	4.1	Thermoplastic	1 1/4" or 1 1/2"	10'	1/8"	3450	1	10