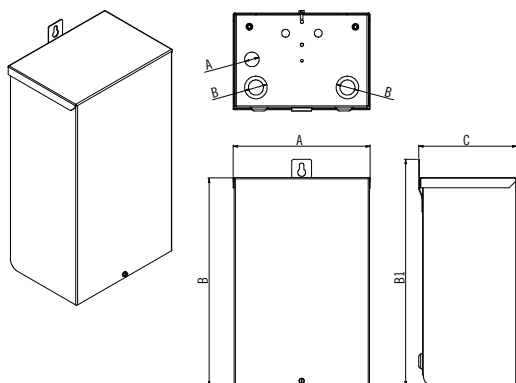


# Deluxe Single Phase Control Boxes

- For use with 3-wire, single phase submersible motors 5 hp - 15 hp.
- Includes Magnetic Line Contactor, Capacitor Start and Capacitor Run.



## 6" CONTROL BOX DIMENSIONS TYPE CSCR



Control Box Dimension

Pos.	inch
A	8.3"
B	15.4"
B1	16.5"
C	6.3"
D	1" conduit
E	1/2" conduit

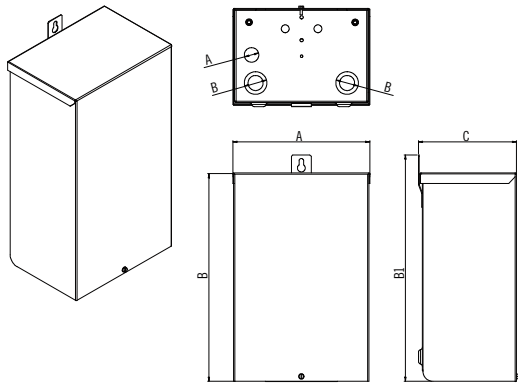
## Deluxe Single Phase Control Boxes

- For use with 3-wire, single phase submersible motors 5 hp - 15 hp. Includes Magnetic Line Contactor, Capacitor Start and Capacitor Run.

A.Y. McDonald Part No.	A.Y. McDonald Model No.	HP	Voltage	HZ	KW	Run Cap.			Start Cap.			Start Overload	Main Overload	Relay	Contactor
						Part No.	[μF]	Volts	Part No.	[μF]	Volts	Part No.	Part No.	Part No.	Part No.
6619-016	SC0413 5HP230VD	5	23			3132-679	80	370	3132-671	270-324	250	3132-687	3132-695	3132-703	3132-711
6619-001	SC0613 7.5HP230VD	7 1/2	230	60	5.0	3132-633	45	370	3132-630	270-324 216-260	330 330	3132-636	3132-639	3132-642	3132-645
6619-002	SC0613 10HP230VD	10	230	60	7.5	3132-634	35 35	370 370	3132-631	270-324 216-260 130-156	330 330 330	3132-637	3132-640	3132-643	3132-646
6619-003	SC0613 15HP230VD	15	230	60	11	3132-635	45 45 45	370 370 370	3132-632	270-324 270-324 161-193	330 330 330	3132-638	3132-641	3132-644	3132-647

6", 7", 8", & 10" Motors & Controls

## 4" & 6" CONTROL BOX DIMENSIONS TYPE CSCR



Control Box Dimension

Pos.	inch
A	8.3"
B	15.4"
B1	16.5"
C	6.3"
D	1" conduit
E	1/2" conduit

### Deluxe Single Phase Control Boxes

- For use with 3-wire, single phase submersible motors 5 hp - 15 hp. Includes Magnetic Line Contactor, Capacitor Start and Capacitor Run.

A.Y. M <sup>e</sup> Donald Part No.	A.Y. M <sup>e</sup> Donald Model No.	HP	Voltage	HZ	KW	Run Cap. Part No.	[µF]	Volts	Start Cap. Part No.	[µF]	Volts	Start Overload Part No.	Main Overload Part No.	Relay Part No.	Contactor Part No.
6619-016	SC0413 5HP230VD	5	23			3132-679	80	370	3132-671	270-324	250	3132-687	3132-695	3132-703	3132-711
6619-001	SC0613 7.5HP230VD	7 1/2	230	60	5.0	3132-633	45	370	3132-630	270-324	330	3132-636	3132-639	3132-642	3132-645
6619-002	SC0613 10HP230VD	10	230	60	7.5	3132-634	35	370	3132-631	270-324	330	3132-637	3132-640	3132-643	3132-646
							35	370		216-260	330				
6619-003	SC0613 15HP230VD	15	230	60	11	3132-635	45	370	3132-632	270-324	330	3132-638	3132-641	3132-644	3132-647
							45	370		270-324	330				
							45	370		161-193	330				

## Starter Kits

IEC Starter Kits for three phase motors

Each kit includes Nema 1 enclosure, contactor, and overload assembled with the correct voltage coil needed.



### STARTER KITS WITH 230V COIL

A.Y. M <sup>e</sup> Donald Part No.	HP	Volts	Wt.
3131-309	5	230	6
3131-310	7 1/2	230	6
3131-311	10	230	9
3131-312	15	230	9
3131-313	20	230	20
3131-314	25	230	20
3131-315	30	230	20

### STARTER KITS WITH 460V COIL

A.Y. M <sup>e</sup> Donald Part No.	HP	Volts	Wt.
3131-322	5	460	6
3131-323	7 1/2	460	6
3131-324	10	460	6
3131-325	15	460	6
3131-326	20	460	9
3131-327	25	460	9
3131-328	30	460	9
3131-329	40	460	9
3131-330	50	460	20
3131-331	60	460	20
3131-332	75	460	20

### STARTER KITS WITH 575V COIL

A.Y. M <sup>e</sup> Donald Part No.	HP	Volts	Wt.
3131-333	1 1/2	575	10
3131-334	2 & 3	575	10
3131-335	5	575	10
3131-336	7 1/2	575	10
3131-337	10	575	10
3131-338	15	575	10
3131-339	20	575	10
3131-340	25 & 30	575	10
3131-341	40	575	10
3131-342	50	575	10