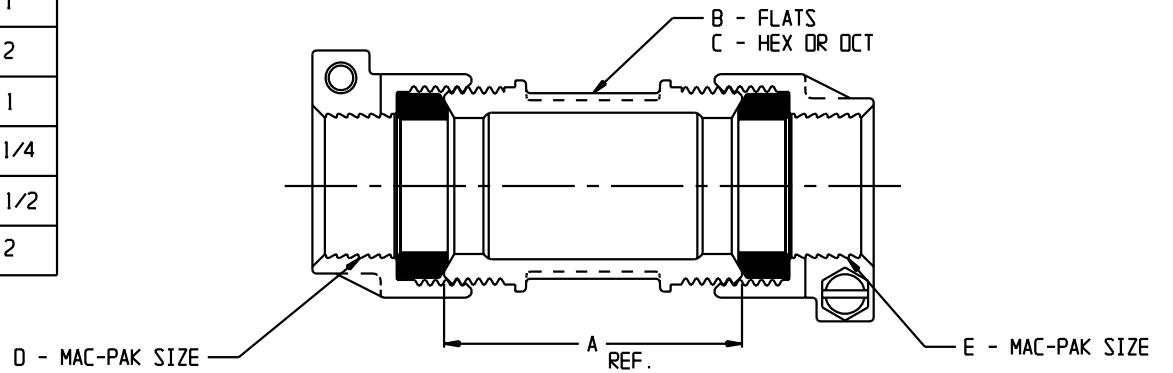


4142-126 B

PATT. No.

CORE No.

PART NO.	MODEL	SIZE	A	B	C	D	E
4142-126	4758-33	3/4	2.40	1.38	OCT	3/4	3/4
4130-004	4758-33	3/4 X 1	2.61	1.85	OCT	3/4	1
4142-239	4758-33	3/4 X 2	2.96	3.05	OCT	3/4	2
4142-127	4758-33	1	2.64	1.69	HEX	1	1
4131-010	4758-33	1 1/4	2.80	2.28	OCT	1 1/4	1 1/4
4131-019	4758-33	1 1/2	3.50	2.45	OCT	1 1/2	1 1/2
4131-030	4758-33	2	3.25	3.12	OCT	2	2



REPLACES DRAWING DATED 3-12-04

MATERIAL SPECIFICATIONS		
UNLESS OTHERWISE SPECIFIED - TOLERANCES, ETC.		
CASTINGS: +/- .025		
2 PLACE DECIMALS (.00) +/- .015		
3 PLACE DECIMALS (.000) +/- .005		
FINISH 125 max.	RADII:	DRAFT:
T.I.R. .010 max., O-RING GROOVES .004 max. DIM. IN INCHES		

A. Y. McDONALD CONSIDERS THE INFORMATION ON THIS ASSEMBLY DRAWING CORRECT WHEN PUBLISHED. ITEM AND OPTION AVAILABILITY INCLUDING SPECIFICATIONS, ARE SUBJECT TO CHANGE WITHOUT NOTICE. PLEASE VERIFY THAT PRODUCT INFORMATION IS CURRENT.

B 4142-126	03-139	---	RELEASED TO SALES ASSY DIRECTORY	4758-33 COUPLING - ASSEMBLY	DRWN	CHECKED								
	04-029	A	REVISED DIMENSIONS FOR NEW COMPONENTS		DJC									
	06-239	B	ADDED SIZE		08-28-06	APPROVED								
<table border="1"> <thead> <tr> <th>C.O. No.</th> <th>SYM.</th> <th colspan="2">REVISIONS</th> </tr> </thead> <tbody> <tr> <td colspan="4">This print is the property of A.Y. McDONALD MFG. CO., Dubuque, Iowa and is loaned subject to return upon demand. It is issued with the expressed agreement that it will not be issued directly or indirectly in any way detrimental to our interests. The acceptance of this drawing will be construed as an acceptance of the foregoing agreement.</td> </tr> </tbody> </table>				C.O. No.	SYM.	REVISIONS		This print is the property of A.Y. McDONALD MFG. CO., Dubuque, Iowa and is loaned subject to return upon demand. It is issued with the expressed agreement that it will not be issued directly or indirectly in any way detrimental to our interests. The acceptance of this drawing will be construed as an acceptance of the foregoing agreement.				A.Y. McDonald Mfg. Co.	4142-126	B
C.O. No.	SYM.	REVISIONS												
This print is the property of A.Y. McDONALD MFG. CO., Dubuque, Iowa and is loaned subject to return upon demand. It is issued with the expressed agreement that it will not be issued directly or indirectly in any way detrimental to our interests. The acceptance of this drawing will be construed as an acceptance of the foregoing agreement.														
				DUBUQUE, IOWA										