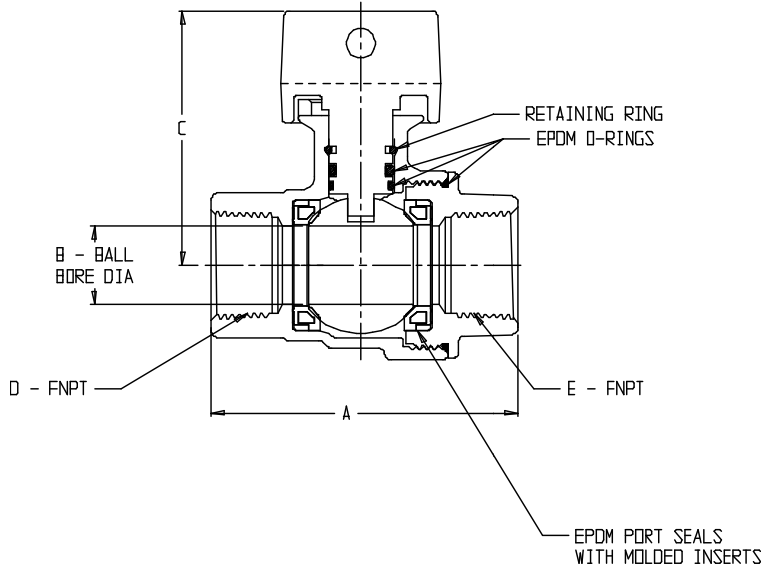


SUBMITTAL DATA SHEET

NL Ball Style Curb Stop – 76101

FNPT x FNPT



| MODEL | SIZE | A | B | C | D | E |
|-------|------------------------|------|------|------|-------|-------|
| 76101 | 1/2 X 5/8 X 1/2 | 2.88 | .625 | 2.31 | 1/2 | 1/2 |
| 76101 | 3/4 X 5/8 X 3/4 X 3.50 | 3.50 | .625 | 2.31 | 3/4 | 3/4 |
| 76101 | 3/4 X 5/8 X 3/4 X 3.75 | 3.66 | .625 | 2.31 | 3/4 | 3/4 |
| 76101 | 3/4 | 2.94 | .750 | 2.39 | 3/4 | 3/4 |
| 76101 | 3/4 X 5/8 X 3/4 | 2.81 | .625 | 2.29 | 3/4 | 3/4 |
| 76101 | 1 X 3/4 X 3/4 | 3.09 | .750 | 2.39 | 1 | 3/4 |
| 76101 | 1 X 3/4 X 1 | 3.32 | .750 | 2.39 | 1 | 1 |
| 76101 | 1 X 3/4 X 1 x 3.50 | 3.52 | .750 | 2.39 | 1 | 1 |
| 76101 | 1 | 3.47 | 1.00 | 2.65 | 1 | 1 |
| 76101 | 1 1/4 X 1 X 1 | 3.61 | 1.00 | 2.65 | 1 1/4 | 1 |
| 76101 | 1 1/4 X 1 X 1 1/4 | 4.31 | 1.00 | 2.65 | 1 1/4 | 1 1/4 |
| 76101 | 1 1/4 | 3.83 | 1.25 | 2.94 | 1 1/4 | 1 1/4 |
| 76101 | 1 1/2 | 4.29 | 1.50 | 3.39 | 1 1/2 | 1 1/2 |
| 76101 | 2 | 5.07 | 2.00 | 3.67 | 2 | 2 |
| 76101 | 2 1/2 X 2 X 2 1/2 | 8.85 | 2.00 | 3.67 | 2 1/2 | 2 1/2 |

SUBMITTAL INFORMATION

- Manufactured in compliance with ANSI/AWWA C800 (latest revision)
- Brass components in contact with potable water conform to ASTM B584, UNS C89833 (latest revision) and identified with "NL"
- Certified to NSF/ANSI 61 and NSF/ANSI 372
- Brass components not in contact with potable water conform to ASTM B62 and ASTM B584, UNS C83600 -85-5-5-5 (latest revision)
- PTFE coated brass ball
- Rated for 300 PSIG water pressure
- Blow out proof EPDM port seals
- End piece joint sealed with an EPDM o-ring and thread locker



A.Y. McDonald Mfg. Co.
P.O. Box 508
Dubuque, IA 52004-508

Toll Free: 1-800-292-2737
Fax: 1-800-832-9296
Hours: 7:00 a.m. – 5:00 p.m., CST

sales@aymcdonald.com
www.aymcdonald.com

A.Y. McDonald considers the information on this assembly drawing correct when published. Item and option availability, including specifications, are subject to change without notice.

Submitted by: