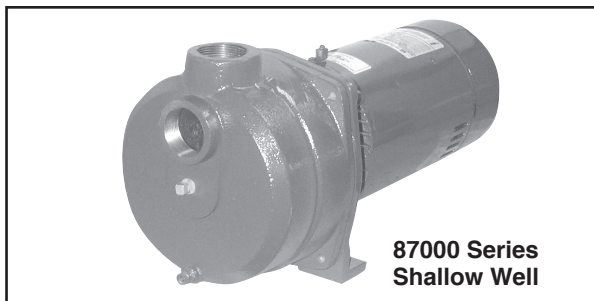


A.Y. McDonald Mfg. Co.

Self-Priming Centrifugal Pumps General Installation Instructions

1. LOCATION

The pump should be installed in a dry, accessible place not subject to freezing temperatures. If installed in a pump pit or other location subject to dampness, proper ventilation must be provided to avoid moisture damage to the electrical equipment.



For added safety, the pump and motor should be properly grounded to the well casing or to a separate ground rod driven eight feet into the ground.

NOTE: For proper fuse, circuit breaker and wire sizes in your area, follow local codes. Otherwise;

2. PIPING

The pipe used should be cleaned and free of scale. Ream ends of pipe to remove burrs. Check threads to see that they are clean and not damaged. Horizontal runs of suction pipe must slope upwards from the well to the pump to avoid air pockets in the line which will make it difficult, if not impossible, to prime the pump. The recommended slope is one inch in ten feet.

The pump should be as near the water source as possible. If pump must be offset an appreciable distance from the well, the size of horizontal pipe should be increased to reduce friction losses.

3. FLUSHING

If the pump discharge line is connected to a pressure tank, disconnect it and flush and clean the system by temporarily wasting the water outdoors or to drain. The pump should be operated until the water runs clear, without sand, mud or rust.

This procedure will eliminate the danger of pumping dirty water into the pressure tank, sprinkler heads, etc. When water runs clear, re-connect discharge line to tank and service.

4. WIRING (Use copper conductors only)

Be certain that wire and fuses of correct size are installed. Be certain the phase, voltage, and cycles of the supply circuit are the same as that shown on the motor name plate. All motors are factory connected at 230 volts.

It is strongly recommended that a separate electric line, well protected against fire, be run from electrical service to the pump, with a fused switch box at the pump. In the event of fire, this precaution will permit continuous operation of your pumping system.

Wire Gage, Fuse and Circuit Breaker sizes as follows:

MOTOR SIZE	WIRE SIZE		*FUSE		*CIRCUIT BRKR.	
	115V	230V	115V	230V	115V	230V
3/4 HP	10	12	25amp	15amp	30amp	15amp
1 HP	8	12	30amp	20amp	35amp	20amp
1.5 HP	6	10	35amp	25amp	40amp	20amp
2 HP	6	10	- amp	30amp		25amp

* Time delay fuses and circuit breakers (1 Phase).

For distances of 100 feet and over from meter to motor, larger wire than shown may be required.

5. MOTORS

Motors are equipped with sealed ball bearings and require little attention. For normal household operation, cleaning and inspecting should be performed every two years. Regular preventative maintenance will prolong motor life and save costly repairs.

If motor repeatedly stops, cools off, and starts again, the cause or trouble must be located and corrected. Do not cover motor with canvas or other material that may interfere with proper air circulation and cause over-heating.

For motor service, consult your phone book for the local motor manufacturers service station.

6. PRIMING AND DRAINING THE PUMP

After initial priming, these pumps will be self-priming. **DO NOT RUN PUMP DRY.** Drain pump and piping below the freeze line if there is danger of freezing.

ATTENTION! Important information for installers of this equipment!

This equipment is intended for installation by technically qualified personnel. Failure to install it in compliance with national and local electrical codes, and with motor suppliers recommendations, may result in electrical shock or fire hazard, unsatisfactory performance, and equipment failure. Installation information is available from pump manufacturers and directly from motor suppliers. Retain this information sheet with the equipment for future reference.

WARNING

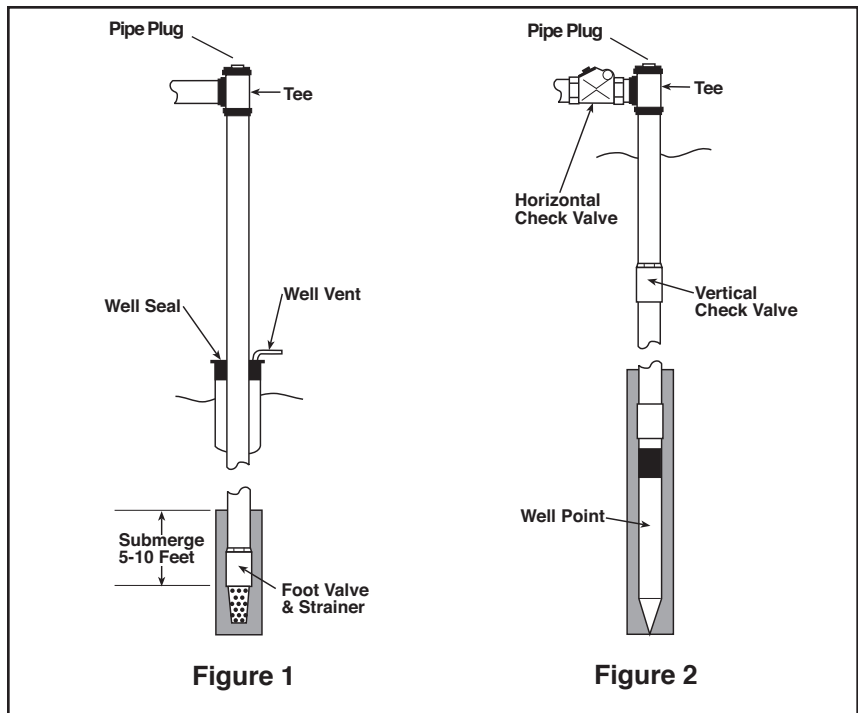
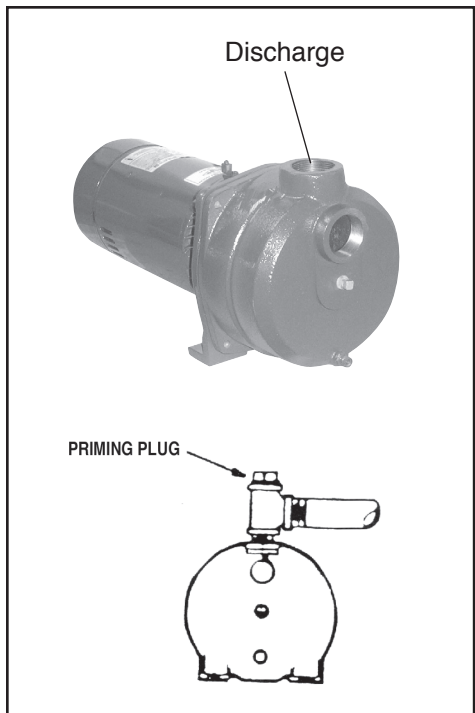
Serious or fatal electrical shock may result from failure to connect the motor, control enclosures, metal plumbing, and all other metal near the motor or cable, to the power supply ground terminal using wire no smaller than motor cable wires. **To reduce risk of electrical shock, disconnect power before working on or around the water system.**



A.Y. McDonald Mfg. Co.

P.O. BOX 508 • DUBUQUE, IA 52004-0508 • 800-292-2737 • FAX 800-832-9296
pumps@aymcdonald.com • www.aymcdonald.com

TYPICAL INSTALLATIONS



A shallow well system should not be installed where total suction lift exceeds 25 feet at sea level. Suction lift must be reduced at the rate of approximately 1 foot per 1000 feet at elevation. Total suction lift consists of the vertical distance from the water level when pumping to the pump plus losses due to friction in the pipe line. The volume of water delivered decreases with an increased suction lift.

Drilled, bored or dug wells may employ an arrangement as in **Figure 1**. Driven wells and sandpoints employ the configuration in **Figure 2**.

1. a) Install a foot valve on the bottom of the suction line and place it 5 to 10 feet below the draw down level, that is, the level of the water when the unit is pumping its rated capacity. It should be far enough from the bottom of the well to avoid pumping sand and mud. (Figure 1)
- b) On driven well installation, install a spring dog-check valve on the vertical pipe at least five feet above the well point, or install a horizontal check valve in the suction line near the pump. (Figure 2)
2. Check the foot or check valve, see that it seats properly and that no obstruction prevents its opening or closing. A leaky foot valve may cause excessive cycling (motor starts and stops).
3. Lower first length of suction pipe, with attached foot valve into the well, fill pipe with clean water. If water recedes a leak is indicated. If no leaks occurs, assemble the remaining section(s) of pipe and check again for leaks.

4. Install the well seal at the top of the well casing and tighten well seal bolts. (Figure 1)
5. Install a tee at top of suction pipe, with a plug in the top opening, and connect through a union to the female thread in the pump body.
6. Install a tee and priming plug to the pump discharge and assemble the plug securely, yet loose enough to allow air to escape.
7. After piping is completed and motor is properly wired, remove the priming plug on top of pump and/or tee in suction pipe and fill pump with clean water. Allow time for air in the system to escape, and refill pump if necessary before tightening the priming plug permanently. Start motor and the unit should operate. If it does not, it may be necessary to reprime.
8. When unit has built up to maximum pressure with the discharge valve closed and power off, check suction and discharge lines for leaks, as they should be under pressure.

If the unit is to be used with a vacuum type air volume control where the source of supply is on a level with the pump or above it (artesian well, pond, cistern or shallow well with less than five feet lift) a valve should be installed in the suction line that may be partially closed to cause the pump to operate under a moderate suction lift of 8-10 ft. to insure correct operation of the air volume control which is operated by vacuum.



A. Y. McDonald Mfg. Co.

P.O. BOX 508 • DUBUQUE, IA 52004-0508 • 800-292-2737 • FAX 800-832-9296
pumps@aymcdonald.com • www.aymcdonald.com

Troubleshooting Information

A. If Motor Will Not Start:

1. Main line switch or pump switch may be shut off.
2. Power may have failed or may be temporarily discontinued.
3. Fuse may be blown.
4. Be sure motor shaft turns freely.
5. Check for defective wiring or loose connections.
6. Check for possible defective motor.
7. If motor does not operate properly, remove and take it to nearest authorized motor service station.

B. If Motor Runs But Water Is Not Delivered:

1. Be sure foot valve is sufficiently submerged but is not in sand or mud at the bottom of the well, also be sure screen on foot valve is clear.
2. Be sure pump is sufficiently primed.
3. Check for possible leaks in suction piping, foot valve or air volume control connection.
4. If a drive point is used, check for clogged point.
5. Impeller, jet fitting, or foot valve may be clogged with sand or other obstruction.
6. Check possibility of gas in the well.
7. Total suction lift may be beyond that recommended.
8. Be sure motor is wired for proper rotation. Also check for lower voltage or inadequate wire size.

C. If Pump Operates But Loses Prime:

1. Check for possible leaks in suction piping, foot valve, or air volume control connections.
2. Water may be drawing down below foot valve, causing pump to take excessive air.

D. If Pump Delivers Water But Volume Is Considerably Below Rating:

1. Check for possible leak in suction piping or air volume control connection.
2. Strainer on foot valve may be partially clogged.
3. Impeller or jet fitting may be clogged with sand or other obstruction.
4. Well may not yield sufficient water for pump to deliver rated capacity.
5. Total suction lift may be beyond that recommended.
6. Due to low voltage condition, motor may not be operating at full speed.
7. Pipe sizes may be smaller than recommended, causing excessive friction.

E. If Pump Starts and Stops Too Frequently:

1. Be sure pressure tank has a sufficient amount of air. Check for faulty air volume control or air leak in tank above water level.
2. Air may be escaping around plug in top of tank
3. Foot or check valve may have debris under poppet or clapper assembly.
4. There may be insufficient suction lift to operate air volume control (if used).
 - (a) Pump may be used as a booster with pressure supplied to the suction side.
 - (b) Shallow well pump may be used at lifts less than 7 feet. If so, a valve must be placed in the suction piping to restrict the flow of water and create additional suction lift, thus assuring proper operation of the automatic air volume control.

F. If Pump Is Noisy:

1. Be sure pump and tank are mounted on substantial foundation. Pipe should be rigid and all connections tight.
2. Motor bearings may be worn.
3. On shallow well installations total suction lift may be greater than 25 feet.
4. Impeller and motor shaft may be running out of alignment, causing impeller to rub against the diffuser.
5. Foot valve, check valve or impeller may be partially clogged.

G. If Thermal Overload Protector Stops Pump:

1. Check for improper voltage and be sure motor is wired for proper voltage.
2. Check for low voltage condition or inadequate wire size.
3. Check amp, draw against motor name plate. If over amp rating, a restrictor valve in suction pipe on low lift application could help.
4. Be sure motor is properly ventilated and not subject to high temperatures.
5. Due to a waterlogged tank, pump may be starting and stopping too often, causing the motor to overheat.
6. Impeller may be rubbing on the diffuser, causing the motor to become overloaded.
7. Overload protector on motor may be defective.



WARNING: It is unlawful in CALIFORNIA & VERMONT (effective 1/1/2010); MARYLAND (effective 1/1/2012); LOUISIANA (effective 1/1/2013) and the UNITED STATES OF AMERICA (effective 1/4/2014) to use any product in the installation or repair of any public water system or any plumbing in a facility or system that provides water for human consumption if the wetted surface area of the product has a weighted average lead content greater than 0.25%. This prohibition does not extend to service saddles used in California, Louisiana or under USA Public Law 111-380.



A. Y. MCDONALD Mfg. Co.

P.O. BOX 508 • DUBUQUE, IA 52004-0508 • 800-292-2737 • FAX 800-832-9296
pumps@aymcdonald.com • www.aymcdonald.com