



Irrigation & Booster Pumps



Irrigation & Booster Pumps

Pump Catalog - January 2020

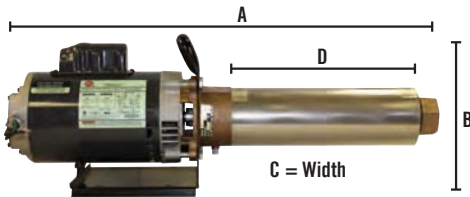
MORE THAN A BRAND. WE'RE A FAMILY.

Superbooster

Booster systems | Filtration | Spray systems | Water circulation | Reverse osmosis

A.Y. McDonald offers a full line of superboosters ranging from 1/2 through 2 horsepower, with a flow rate ranging from 5 through 25 gallons per minute (GPM). Our superbooster offers peak capacity performance in 5, 7, 10, 15, 20, and 25 GPM models. The superbooster can be used for general purpose pumping along with residential, commercial applications, and pressure washing for agriculture.

- Keyed shaft motor with shaft extension/coupling for easy motor replacement
- Heavy duty corrosion resistant construction
- No-Lead Brass intake and discharge
- Thermoplastic impellers and diffusers for long life
- Stainless steel shell, shaft extension and hex shaft
- 3/4" Ceramic/carbon rotary mechanical seal
- 1 1/4" Intake, 1 1/4" Discharge
- Drain plug



Nema C Motor

Nema C (Keyed Shaft) Motor which has a single phase, Open Drip Proof (ODP) capacitor start.



Features:

- Carbon steel shaft (not in contact with the water)
- Shaft 0.625" Diameter, x 2.07" long from face
- Ball bearings (locked drive end bearing)
- Continuous duty at 40°C / 104°F Ambient, 60Hz
- Automatic reset thermal overload protector
- Round frame (without base), Nema 56C mounting
- Power leads and ground wire supplied for proper connection to the pressure switch
- Voltage change device (except 2 HP)

Two Compartments Products | E-Z Access

Part No.	HP	RPM	Frame	Catalog Volt	Type	Service Factor	SF* AMPS	MTR LGTH(1)	Ship Wt.	Factory Wired
6903-280	1/2	3500	48/56	115/230	FNP	1.60	10.8/5.4	9"	19	115V
6903-281	3/4	3500	48/56	230/115	FHP	1.50	6.4/12.8	9.5"	23	230V
6903-282	1	3500	48/56	230/115	FHP	1.40	7.7/15.4	10"	25	230V
6903-283	1 1/2	3500	48/56	230/115	FHP	1.30	10.9/21.8	10.5"	31	230V
6903-284	2	3500	48/56	230	FHP	1.20	11.1	10.5"	32	230V

*Service Factor Amps. may vary with motor manufacturer - refer to label on motor

(1) Length not including shaft

(2) Contact factory for three phase and/or TEFC motors

Repair parts multiplier applies

Factory set voltage in bold.

Part No.	Model No.
6903-041	27000KIT

Repair gauge kit (use for alignment when assembling motor and pump end back together).

Note - To change the voltage:

- remove the plate off the back of the motor
- move the spades to the appropriate location

Superbooster

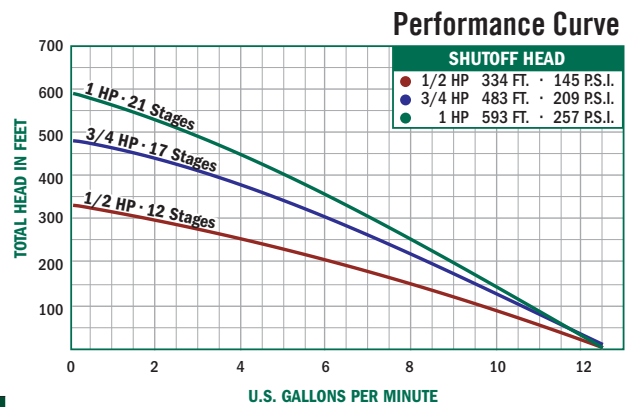
J - 5 GPM - 27000JHB

Pump Ends

Model No.	HP	Wt.
27050JHBPE	1/2	18
27075JHBPE	3/4	21
27100JHBPE	1	19

Specifications

Model	HP	Volts	Max. Amps	Intake	Discharge Size	A	B	C	D	Wt.
27050JHB	1/2	115/230	10.8/5.4	1 1/4"	1 1/4"	24.72	9.4	6.5	13.67	34
27075JHB	3/4	230/115	7.4/14.8	1 1/4"	1 1/4"	29.12	9.4	6.5	17.57	42
27100JHB	1	230/115	9.0/18.0	1 1/4"	1 1/4"	34.13	9.4	6.5	22.08	44



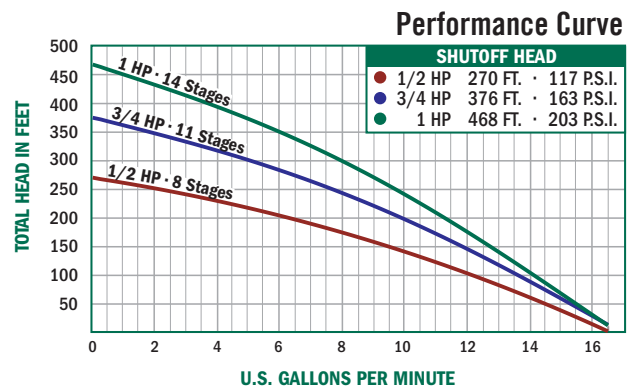
V - 7 GPM - 27000VHB

Pump Ends

Model No.	HP	Wt.
27050VHBPE	1/2	13
27075VHBPE	3/4	17
27100VHBPE	1	19

Specifications

Model	HP	Volts	Max. Amps	Intake	Discharge Size	A	B	C	D	Wt.
27050VHB	1/2	115/230	10.8/5.4	1 1/4"	1 1/4"	21.60	9.4	6.5	10.55	34
27075VHB	3/4	230/115	7.4/14.8	1 1/4"	1 1/4"	24.43	9.4	6.5	12.87	39
27100VHB	1	230/115	9.0/18.0	1 1/4"	1 1/4"	27.33	9.4	6.5	15.28	42



K - 10 GPM - 27000KHB

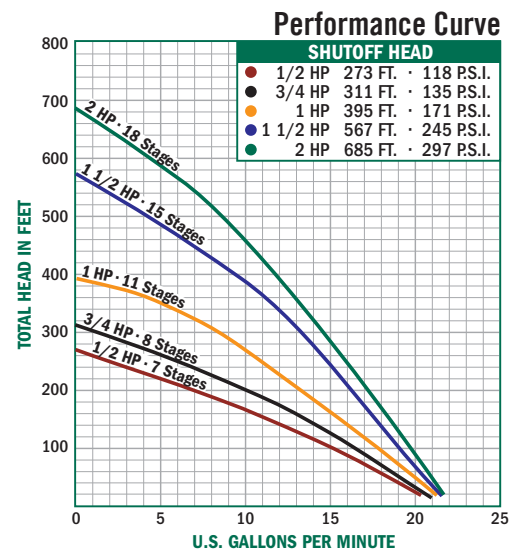
Pump Ends

Model No.	HP	Wt.
27050KHBPE	1/2	14
27075KHBPE	3/4	15
27100KHBPE	1	16
27150KHBPE	1 1/2	18
27200KHBPE	2	17

Specifications

Model	HP	Volts	Max. Amps	Intake	Discharge Size	A	B	C	D	Wt.
27050KHB	1/2	115/230	10.8/5.4	1 1/4"	1 1/4"	21.13	9.4	6.5	10.08	35
27075KHB	3/4	230/115	7.4/14.8	1 1/4"	1 1/4"	22.47	9.4	6.5	10.92	40
27100KHB	1	230/115	9.0/18.0	1 1/4"	1 1/4"	25.56	9.4	6.5	13.51	42
27150KHB	1 1/2	230/115	10.7/21.4	1 1/4"	1 1/4"	30.68	9.4	6.5	18.13	53
27200KHB	2	230	10.2*	1 1/4"	1 1/4"	33.16	9.4	6.5	20.61	54

Factory set voltage in bold.



Irrigation & Booster Pumps

Superbooster L - 15 GPM - 27000LHB

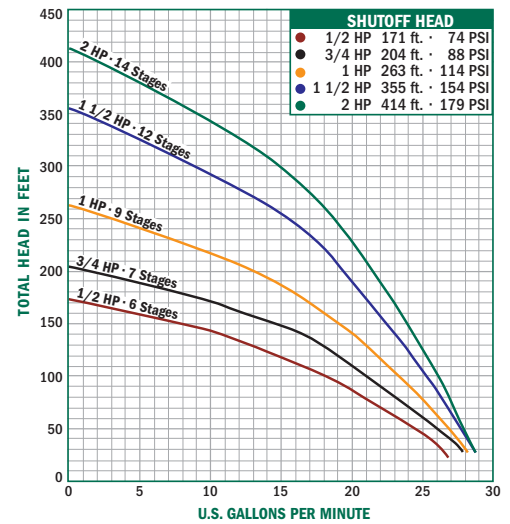
Pump Ends

Model No.	HP	Wt.
27050LHBPE	1/2	12
27075LHBPE	3/4	15
27100LHBPE	1	17
27150LHBPE	1 1/2	18
27200LHBPE	2	16

Specifications

Model	HP	Volts	Max. Amps	Intake	Discharge Size	A	B	C	D	Wt.
27050LHB	1/2	115/230	10.8/5/4	1 1/4"	1 1/4"	22.00	9.4	6.5	10.00	30
27075LHB	3/4	230/115	6.4/12.8	1 1/4"	1 1/4"	24.00	9.4	6.5	11.00	35
27100LHB	1	230/115	7.7/15.4	1 1/4"	1 1/4"	26.00	9.4	6.5	13.00	37
27150LHB	1 1/2	230/115	10.9/21.8	1 1/4"	1 1/4"	30.00	9.4	6.5	16.00	46
27200LHB	2	230	11.1*	1 1/4"	1 1/4"	31.50	9.4	6.5	18.00	47

Performance Curve



P - 20 GPM - 27000PHB

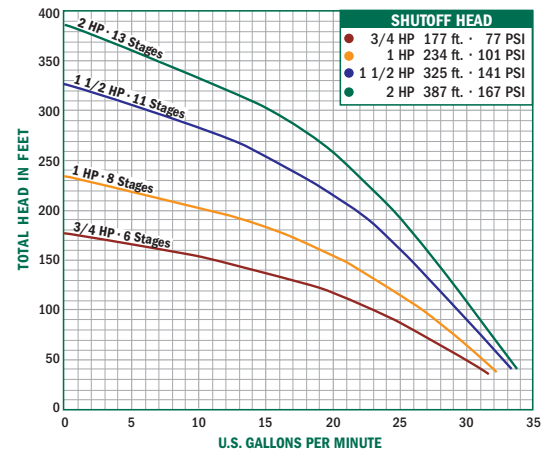
Pump Ends

Model No.	HP	Wt.
27075PHBPE	3/4	12
27100PHBPE	1	15
27150PHBPE	1 1/2	16
27200PHBPE	2	20

Specifications

Model	HP	Volts	Max. Amps	Intake	Discharge Size	A	B	C	D	Wt.
27075PHB	3/4	230/115	6.4/12.8	1 1/4"	1 1/4"	23.00	9.4	6.5	10.00	34
27100PHB	1	230/115	7.7/15.4	1 1/4"	1 1/4"	25.00	9.4	6.5	12.00	37
27150PHB	1 1/2	230/115	10.9/21.8	1 1/4"	1 1/4"	29.00	9.4	6.5	15.00	45
27200PHB	2	230	11.1	1 1/4"	1 1/4"	30.50	9.4	6.5	17.00	47

Performance Curve



M - 25 GPM - 27000MHB

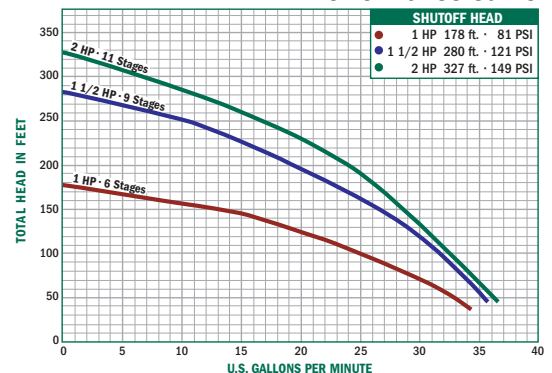
Pump Ends

Model No.	HP	Wt.
27100MHBPE	1	12
27150MHBPE	1 1/2	12
27200MHBPE	2	15

Specifications

Model	HP	Volts	Max. Amps	Intake	Discharge Size	A	B	C	D	Wt.
27100MHB	1	230/115	7.7/15.4	1 1/4"	1 1/4"	23.00	9.4	6.5	10.00	36
27150MHB	1 1/2	230/115	10.9/21.8	1 1/4"	1 1/4"	27.00	9.4	6.5	13.00	44
27200MHB	2	230	11.1	1 1/4"	1 1/4"	28.50	9.4	6.5	15.00	46

Performance Curve



Factory set voltage in bold.

92000 & 93000 Series - Workhorse End Suction Centrifugal Pumps

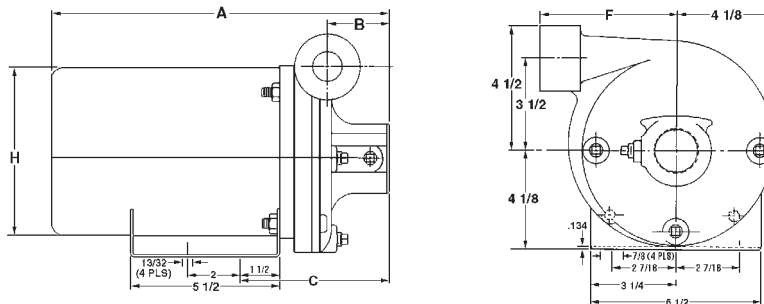
A.Y. McDonald Mfg. Co. 92000 & 93000 Series Centrifugal Pumps cover a wide range of applications. Ideal for booster systems, farms, industry, lawn sprinkling, irrigation, air conditioning, tower cooling, and other water transfer applications.

Features:

- Heavy duty cast iron construction
- Quality Nema standard square flange motor
- Precision molded Noryl impeller (no-lead bronze available)
- Four position discharge with three drain ports
- Easy serviceability with rear pull out design, no need to disturb plumbing
- 175° maximum



Dimensions



NOTE: Four position discharge - vertical or horizontal.
Air volume control tapping - optional on suction side of pump.

Specifications - Single Phase

Model No.	HP	Voltage & Phase	Ports Suct.	Ports Disch.	A	B	C	F	H	Packing Dimen. Inches	Weight Lbs
92030	1/3	115 / 230 / 1	1 1/4"	1"	15.40	2.35	6.10	4.35	5.60	15.5 x 8.5 x 10	36
92050	1/2	115 / 230 / 1	1 1/4"	1"	15.40	2.35	6.10	4.35	5.60	15.5 x 8.5 x 10	36
92070	3/4	230 / 115 / 1	1 1/4"	1"	15.90	2.35	6.10	4.35	5.60	16.5 x 9.5 x 10	36
92100	1	230 / 115 / 1	1 1/4"	1"	16.40	2.35	6.10	4.35	5.60	16.5 x 9.5 x 10	38
92150	1 1/2	230 / 115 / 1	1 1/4"	1"	16.60	2.35	6.10	4.35	5.60	16.5 x 9.5 x 10	42
92200	2	230 / 1	1 1/2"	1 1/4"	18.15	2.90	6.75	4.70	6.30	18.25 x 9.5 x 10	43
92250	2 1/2	230 / 1	2"	1 1/2"	18.15	2.90	6.75	4.70	6.30	18.25 x 9.5 x 10	43
92300	3	230 / 1	2"	1 1/2"	18.15	2.90	6.75	4.70	6.30	18.25 x 9.5 x 10	54

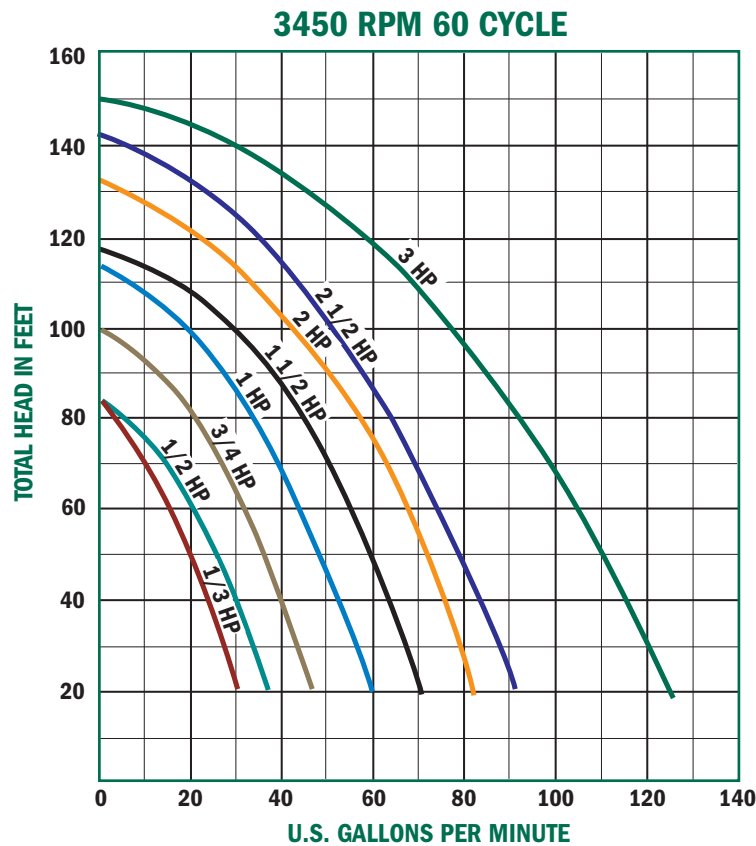
Specifications - Three Phase

Model No.	HP	Voltage & Phase	Ports Suct.	Ports Disch.	A	B	C	F	H	Packing Dimen. Inches	Weight Lbs
93050	1/2	230 / 3	1 1/4"	1"	15.40	2.35	6.10	4.35	5.60	15.5 x 8.5 x 10	32
93070	3/4	230 / 3	1 1/4"	1"	15.90	2.35	6.10	4.35	5.60	16.5 x 9.5 x 10	34
93100	1	230 / 3	1 1/4"	1"	16.40	2.35	6.10	4.35	5.60	16.5 x 9.5 x 10	37
93150	1 1/2	230 / 3	1 1/4"	1"	16.60	2.35	6.10	4.35	5.60	16.5 x 9.5 x 10	41
93200	2	230 / 3	1 1/2"	1 1/4"	18.15	2.90	6.75	4.70	6.30	18.25 x 9.5 x 10	48
93300	3	230 / 3	2"	1 1/2"	18.15	2.90	6.75	4.70	6.30	18.25 x 9.5 x 10	58

Three Phase -- 208/230/460V, just need to change the wires for the desired voltage.
Factory set voltage in bold.

92000 & 93000 Series - Workhorse End Suction Centrifugal Pumps

Performance Curves



- Tested at 2 ft. lift

Model	92100	92150	92200	92250	92300
PEI	0.73	0.75	0.83	0.99	0.75
Imp. Dia. (in)	5.33	5.32	5.88	6.06	6.11

Performance (GPM)

Model No.	HP	Total Head in FT.												Max Head FT/PSIG	
		30	40	50	60	70	80	90	100	110	120	130	140		
92030	1/3	28	23	20	16	10									84' / 36#
93030															
92050	1/2	33	30	26	21	14								83' / 36#	
93050															
92070	3/4	42	40	36	31	28	21	11						100' / 43#	
93070															
92100	1	57	52	49	42	39	32	28	19					113' / 48#	
93100															
92150	1 1/2	68	62	60	55	50	43	38	30	18				118' / 51#	
93150															
92200	2	79	76	73	69	63	58	50	41	32	22			132' / 57#	
93200															
92250	2 1/2		84	79	75	70	65	59	52	45	35	24		142' / 61#	
93200															
92300	3		115	110	103	98	91	85	78	69	59	46	30	150' / 65#	
93300															
Model No.	HP	13	17	21	26	30	34	39	43	47	52	56	60		
		PSI													

84000 Series Self-Priming Centrifugal Pumps

The A.Y. McDonald 84000 Series Centrifugal Pumps is designed for both high pressure and high capacity to cover a wide range of applications. These portable units are ideal for lawn and turf sprinkling, garden irrigation, pool filling, and can be used as standby pumps for fire protection, as well as other commercial uses. Individually balanced heavy-duty cast iron impellers handle silt and muddied water with a minimal effort.

84000 Series pumps are suitable for installation where the vertical distance from the pump to the water level does not exceed 25 feet. In all installations, friction losses in the suction pipe must be taken into consideration.

This series is available in three and five horsepower (HP).

The single phase motors are 230 volt only.

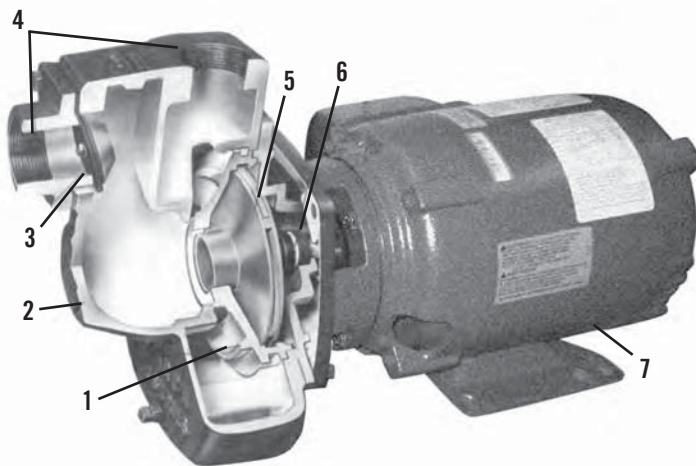
Three phase motors are also available for three and five horsepower (HP) and require thermal overloads to be installed separately.

Complete unit includes pump, motor, and suction check valve for positive priming.



Features:

- Residential and industrial uses
- Capacities to 170 GPM
- Heads to 171 ft. or pressure to 74 PSI
- Self-adjusting mechanical seal
- Needs no lubrication
- No foot valves or priming devices needed
- All units have built-in check valve
- Minimal operation costs
- Three phase available, contact factory

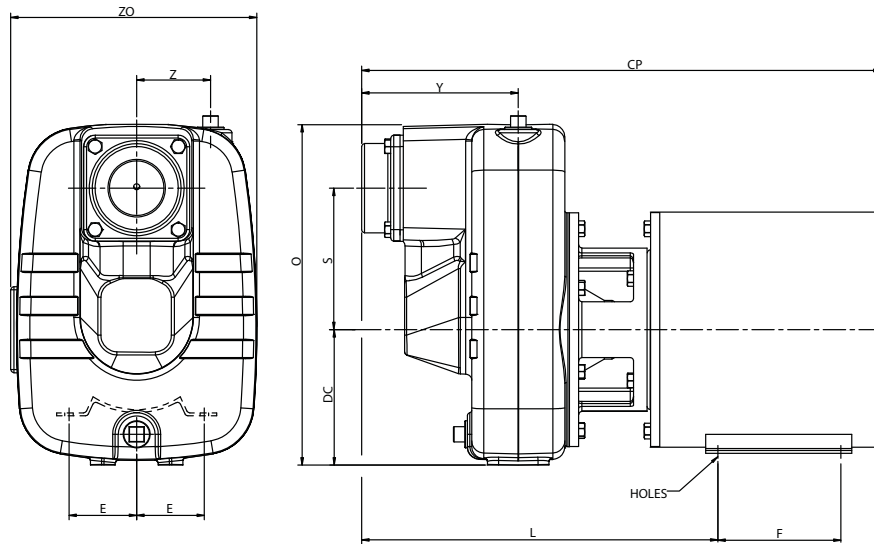


- 1 - Diffuser
Cast Iron
- 2 - Casing
Cast Iron
- 3 - Built-in Check Valve
- 4 - Discharge & Suction
- 5 - Impeller - Cast Iron
- 6 - Seal
- 7 - Motors
J M Frame design on 3 & 5 HP

Specifications

Model No.	HP	Volts	Phase	Impeller Material	Suction NPT	Full Load Amps	Discharge NPT	Ship WT. (lbs.)
84300	3	208 / 230	1	Cast Iron	2"	13.5	2"	136
84500	5	208 / 230	1	Cast Iron	2 1/2"	21.5	2"	146

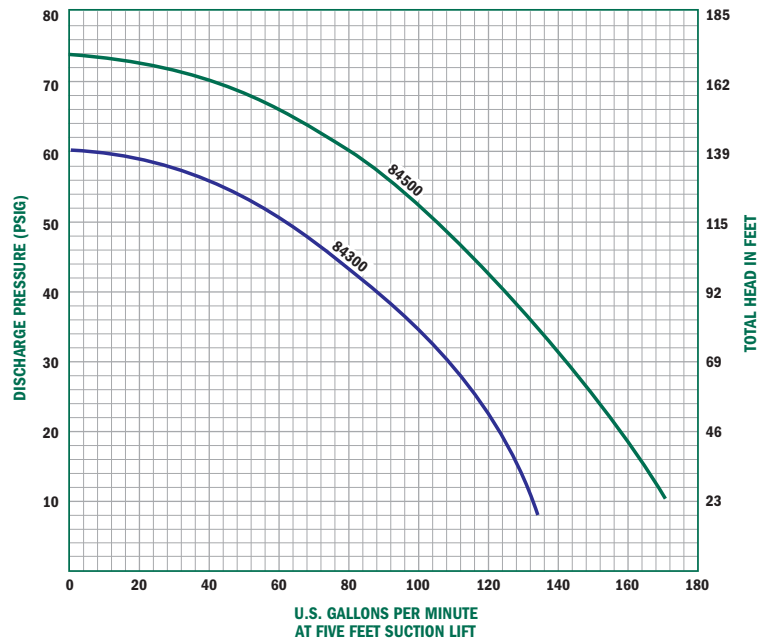
84000 Series Self-Priming Centrifugal Pumps



Dimensions

Model	Suction	Discharge	CP	D	DC	E	F	Inches						
								H	L	O	S	Y	Z	ZO
84300	2 NPT	2 NPT	23.25	4.50	5.00	3.74	5.00	.44	14.75	13.25	6.00	6.38	3.00	9.75
84500	2 1/2 NPT	2 NPT	23.38	4.50	5.56	3.75	2.75	.40	15.12	13.88	5.75	6.38	3.00	9.75

*84300 & 84500 Model have a "JM" face motor connection (not shown).



Performance

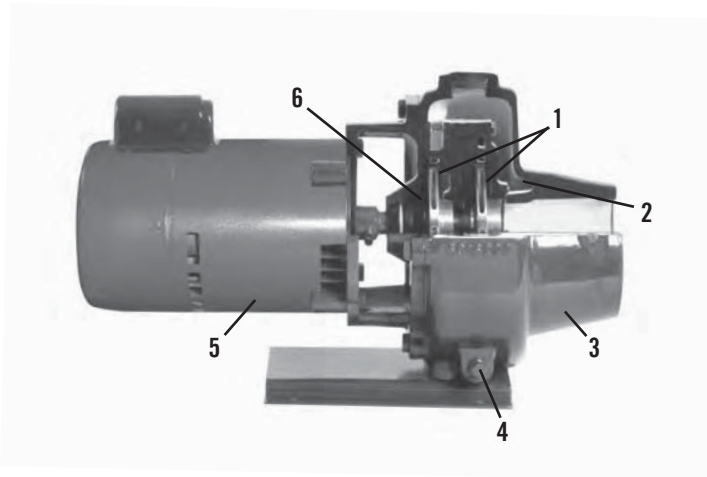
Model No.	HP	Suction Lift - FT.	Capacities in GPM at Discharge Pressure						Max. Shut off pressure
			10	20	30	40	50	60	
84300	3	10	120	117	102	80	48	59 PSIG	
		20	88	86	82	68	26		
84500	5	10	145	138	126	115	97	65	74 PSIG
		20	105	104	100	95	77	47	

1500XSW Series Multi-Stage Centrifugal Pumps

This two stage construction multi-stage centrifugal pump provides pressure to 60 PSI for high pressure applications. Motors are Nema standard construction, coupled shaft design and available in both single and three-phase. Housing and adapter are cast iron. Impeller of your choice - no-lead bronze or plastic.

Features:

- Trouble-free (carbon-ceramic) seal.



- 1 - **Impeller**
Available in either dynamically balanced no-lead bronze or engineered thermoplastic
- 2 - **Cast Iron Diffusers**
Precision machined for greatest efficiency
- 3 - **Cast Iron Pump Body & Motor Adapter**
- 4 - **Drain Plug**
- 5 - **Nema Standard Motor**
Heavy duty, capacitor start, dual voltage (230/115) with built-in overload protection. Choice of 3/4, 1, 1 1/2, & 2 HP. 50 Hz. or 60 Hz.
- 6 - **Shaft Seal**
Standard 3/4" ceramic carbon rotating mechanical seal

Performance

Model No.	HP	Suction Lift - FT.	Capacities in GPM at Discharge Pressure				
			20	30	40	50	60
1575XSW 1575XSW3	3/4	10	34.3	28.8	22.2		
		15	33.2	27.6	20.4		
		20	32	26	18.4		
		25	29.9	24.9	--		
1510XSW 1510XSW3	1	10	41.7	37.7	31.7	24.2	
		15	40	36.5	30.2	22.2	
		20	36.6	34.3	28.5	19.8	
		25	29.5	28.5	26.5	16.5	
1515XSW 1515XSW3	1 1/2	10	42.3	40.5	36.5	32	24.5
		15	41.7	39.8	35.3	29.3	23
		20	40.3	39	34	28	21
		25	33.3	32.5	31	26.5	18.8

- To order with plastic impeller, add "P" to model number above. Example: 1575XSWP

Specifications

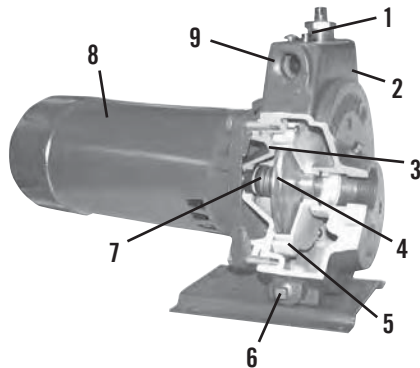
Model No.	HP	Voltage	Phase	Suction	Discharge	Stages	Ship WT. (lbs.)
1575XSW	3/4	115 / 230	1	1 1/4"	1"	2	64
1575XSW3	3/4	230 / 460	3	1 1/4"	1"	2	59
1510XSW	1	115 / 230	1	1 1/4"	1"	2	64
1510XSW3	1	230 / 460	3	1 1/4"	1"	2	61
1515XSW	1 1/2	115 / 230	1	1 1/4"	1"	2	66
1515XSW3	1 1/2	230 / 460	3	1 1/4"	1"	2	64

8600SW Series Convertible Centrifugal Pumps

The convertible centrifugal pump is ideal for lawn sprinkling, garden irrigation, pool filling, draining, cooling towers, and other water transfer applications. The square flange construction has a high service factor rating for continuous operation. The 8600SW pump has a capacity to 65 gallons per minute (GPM), and requires no maintenance.

Features:

- Self-priming under normal conditions
- Time proven 5/8" mechanical seal
- Pressure to 40 PSI / 92 feet head
- For shallow wells, lakes, streams, or booster systems



- 1 - **Internal Regulating Valve**
(Manual adjustment for deep well only)
- 2 - **Cast Iron Pump Body**
- 3 - **Seal / Condensation Plate**
Provides air gap between motor & water chamber
- 4 - **Impeller**
Available in engineered polycarbonate thermoplastic
- 5 - **Diffusers**
Multi-volute engineered thermoplastic diffuser for maximum capacity and pressure
- 6 - **Drain Plug**
- 7 - **Shaft Seal**
Standard 5/8" ceramic carbon rotating mechanical seal
- 8 - **High Service Factor, Capacitor Start, Threaded Shaft, Square Flange Motor**
Built to Nema specifications by nationally known manufacturers to assure local service availability. Choice of 1/3, 1/2, 3/4, & 1 HP. 50 Hz. or 60 Hz.
- 9 - **Zinc Plated Plug**
(With Pressure Gauge Tap and 1/4" plug)

Performance

Model No.	HP	Suction Lift - FT.	Capacities in GPM at Discharge Pressure							Max. Shut off pressure PSI / FT.
			5# / 12'	10# / 23'	15# / 35'	20# / 46'	25# / 58'	30# / 69'	35# / 81'	
8650SW	1/2	10	52	49.5	47	39.5	25	10.8	--	34# / 78'
		20	46.5	45.5	40.5	28	11.5	--	--	30# / 69'
8670SW	3/4	10	60	60	57.8	56	51.5	40	--	38# / 88'
		20	52	52	52	50	41	19.3	--	34# / 78'
8610SW	1	10	65	65	62.8	60.8	57	50	41.5	42# / 97'
		20	54	54	53.5	52.5	48	41	26	38# / 88'

Specifications

Model No.	HP	Volts	Pipe Sizes		Ship WT. (lbs.)
			Suction	Discharge	
8650SW	1/2	115 / 230	1 1/4"	1"	40#
8670SW	3/4	230 / 115	1 1/4"	1"	42#
8610SW	1	230 / 115	1 1/4"	1"	46#

- **Suction Pipe** = 1 1/4" NPT. For best results increase to 2" NPT within 6" of pump intake.
- **Discharge Pipe** = 1" NPT. For best results increase to 1 1/2" NPT within 6" of pump outlet using priming plug opening.
- Maximum allowable operating pressure = 100 PSIG (as a booster pump, for example).

NOTE: Standard 8600 series pumps, with pressure switch, may also be used with these applications and if the 3/4" top discharge tapping is increased to 1 1/2" NPT similar, but slightly less, capacity will be obtained.



89000 Series Self Priming Sprinkler Pumps

A.Y. McDonald's E-Series Sprinkler Pump is designed with a 1 1/2" inlet and outlet with a flow of up to 85 GPM. With an easy switch between 115V and 230V and a 304 stainless steel insert on the impeller, this high quality pump also contains a stainless steel wear ring between the impeller and diffuser. The E-Series Sprinkler Pump is available in 1, 1 1/2, and 2 HP and comes with a reliable, robust, and tested motor.

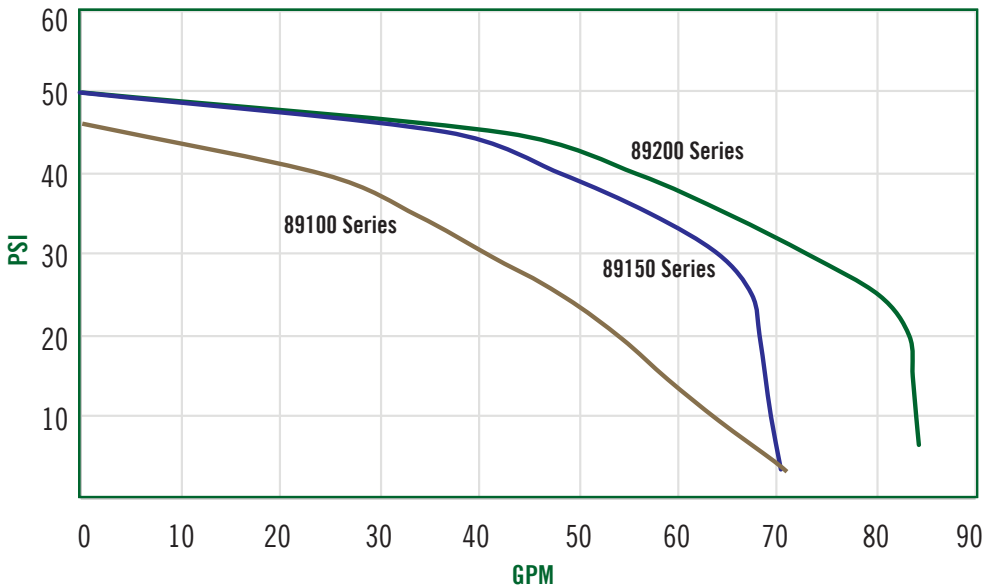


Features:

- Up to 85 GPM
- 1 1/2" Inlet & outlet
- Reliable, robust, and tested motor
- Easy to switch between 115V & 230V (Factory preset to 230V)
- 2 HP Sprinkler pump - 230V Only
- 304 Stainless steel motor shaft with wrench flat
- All iron pump housing and seal plate
- 304 Stainless steel insert on impeller
- Stainless steel wear ring between the impeller & diffuser
- Stainless steel bolt hardware connecting pump to motor

Irrigation & Booster Pumps

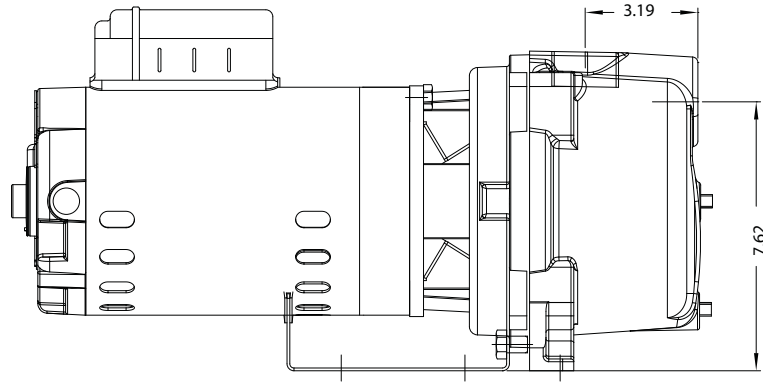
Flow GPM vs. Pressure PSI Curve



Models Available

Model No.	HP	Volts	Pipe Sizes		Ship WT. (lbs.)
			Suction	Discharge	
89100	1	115 / 230	1 1/2"	1 1/2"	59
89150	1 1/2	115 / 230	1 1/2"	1 1/2"	63
89200	2	230	1 1/2"	1 1/2"	64

89000 Series Sprinkler Pumps



Performance

Model No.	HP	Suction Lift - FT.	Capacities in GPM at Discharge Pressure				Max. Shut off PSI
			10	20	30	40	
89100	1	0	63	54	41	24	46.2
		5	61	51	38	19	44
		10	56	46	32		41.9
		15	51	44	28		39.7
		20	43	40	23		38.3
		25	35	34	18		34.8
89150	1 1/2	0	69	68	64	48	49.9
		5	62	61	58	42	46.7
		10	55	53	51	35	45
		15	48	48	46	26	44.2
		20	42	40	39	15	43.8
		25	34	34	30		41.4
89200	2	0	83	83	73	54	50
		5	73	73	69	49	48
		10	57	57	56	39	48
		15	50	50	50	34	43.8
		20	42	42	42	22	45.1
		25	34	34	34		39.4