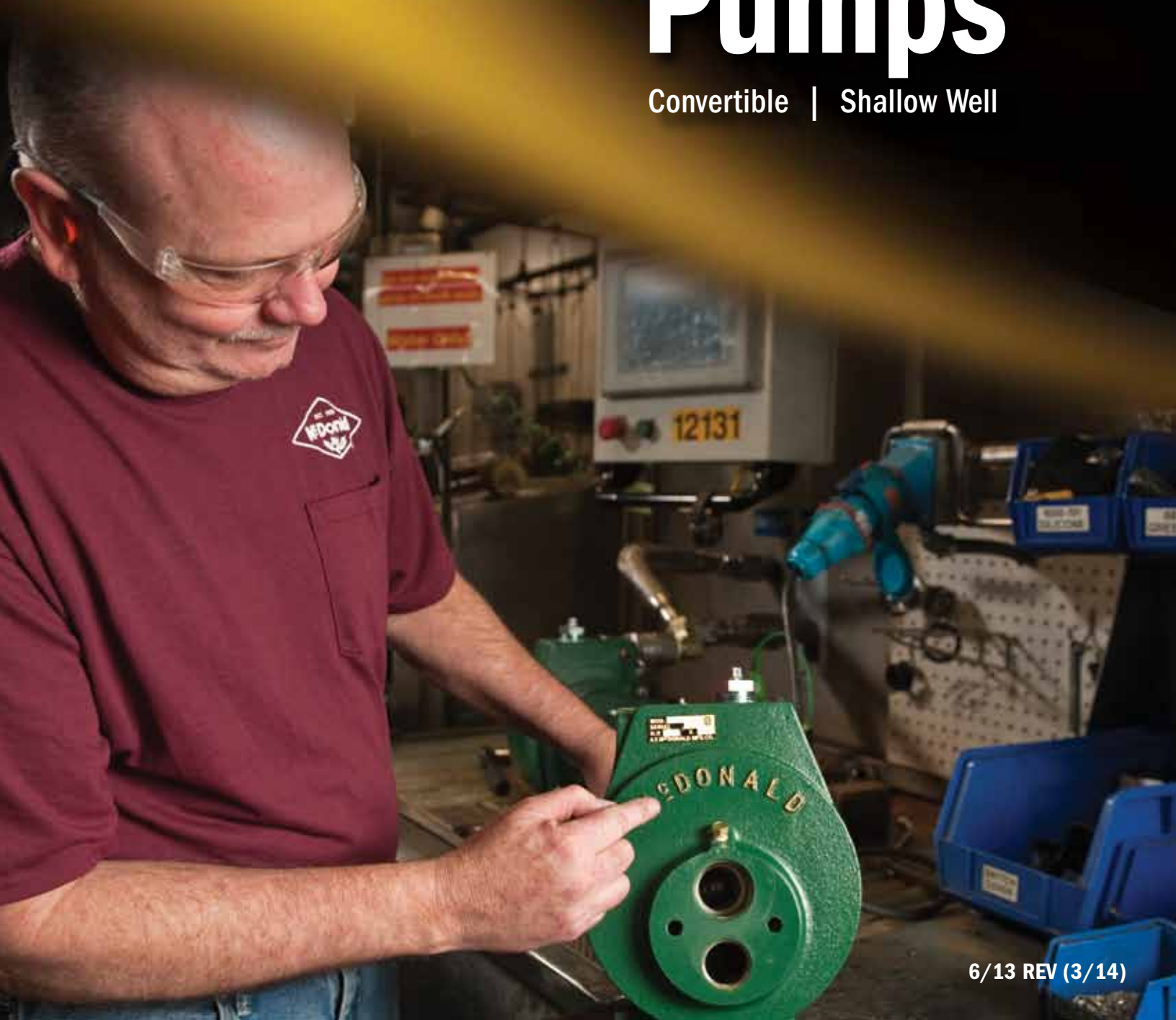




Jet Pumps

Convertible | Shallow Well



	Page
General Information.....	2-4
 Nema J Motor Pumps	
8100 Series - Shallow Well	5
8200 Series - Convertible.....	6-7
 Square Flange Motor Pumps	
8500 Series - Shallow Well	8-9
8600 Series - Convertible.....	10-11
 Multi-Stage Pumps	
1000 Series - Vertical - Shallow or Deep Well	12-13
1500 Series - Horizontal - Shallow or Deep Well ...	14-15
 Replacement Motor	
Nema J	16
Square Flange	16
Nema C	17

Jet Ejectors

Single Stage - Shallow or Deep Well	18
Multi-Stage - Shallow or Deep Well	18

Adapters, Flanges, & Miscellaneous

Casing Adapters	19
Threaded Flange	19
Regulating Valve	19
Couplings / Bushing.....	19
Reducing / Increasing Nipple	19
Tubing & Fittings	19
Spray Paint.....	19

Pump Accessories

Check Valves	20
No-Lead Brass Tank Tees	20
Pressure Relief Valves.....	20
Pipe Holder.....	20
Air Volume Controls	21
Floats / Float Valve	21
Well Seals.....	21
Switches.....	21

Well-equipped.



Founded more than 158 years ago, A.Y. McDonald Mfg. Co. is the only remaining family-owned business in the industry. We have a proud tradition of providing quality water pumps and submersible pumps to professional installers – and exceptional customer support to back them up.

Choose A.Y. McDonald for:

- Friendly, responsive, dedicated customer service specialists
- Hand-assembled products built exclusively for professional installation
- Application-specific solutions to meet your needs as an installer
- Comprehensive product warranty program

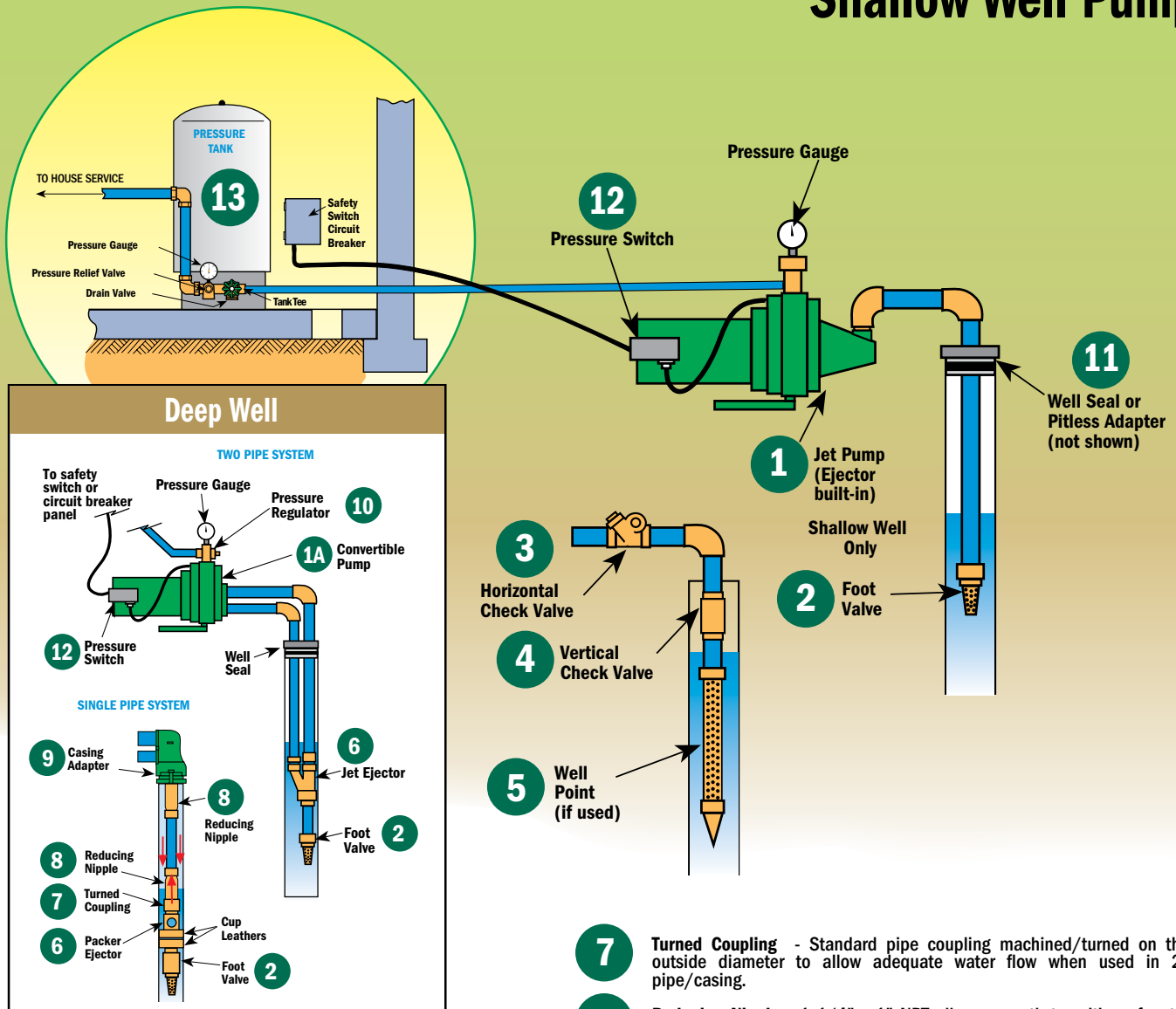
Visit aymcdonald.com to learn more about our quality product lines, dependable customer service, and more than 158 years of industry-leading expertise.

More than a brand. We're a family.

aymcdonald.com ♦ 1-800-292-2737 ♦ sales@aymcdonald.com



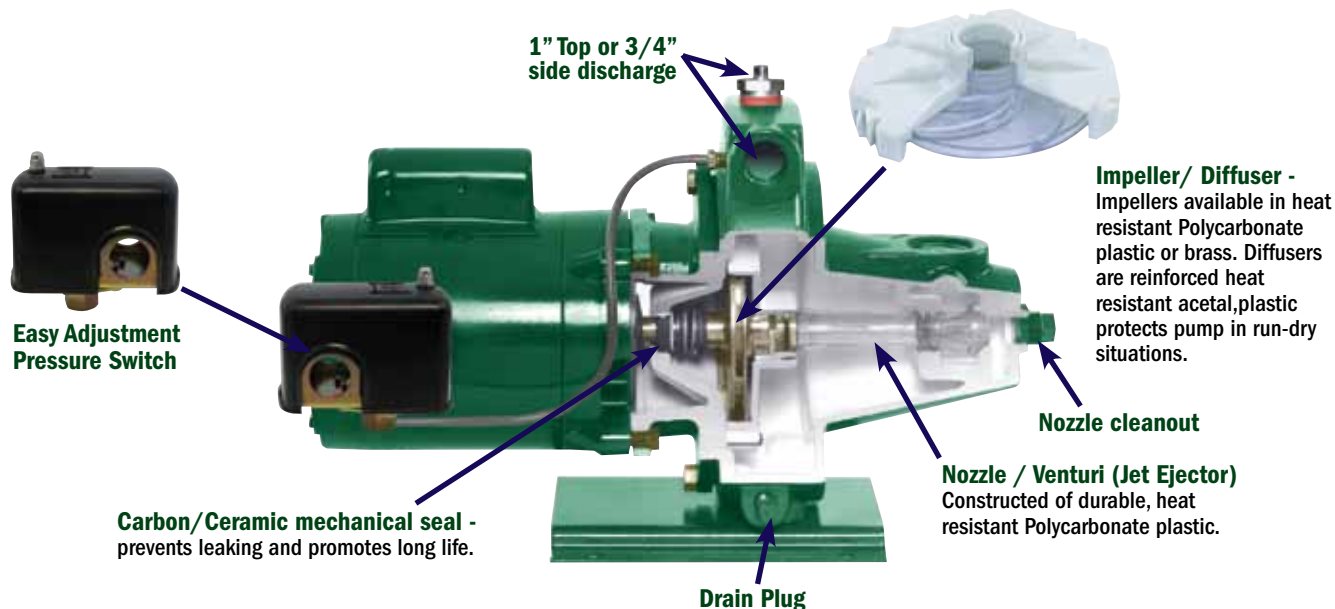
Typical Jet Pump Installations Shallow Well Pump



- 1** **Jet Pump** - A pump combining two pumping principles - centrifugal operation and ejection. They can be used in shallow or deep wells. When well diameter is 2", a surface mounted pump with 2" packer jet ejector is one of the only ways to automatically draw water from more than 25' below ground.
- 1A** **Convertible Pump** - A pump that can be used in either shallow or deep wells.
- 2** **Foot Valve** - A type of check valve with built-in strainer. Used at point of liquid intake to retain liquid in the system, preventing loss of prime when liquid source is lower than pump. You must have a reliable foot valve for deep well jet pumps.
- 3** **Check Valve** - Allows liquid to flow in one direction only. Generally used in suction and discharge line to prevent reverse flow. Available in (3) horizontal and (4) vertical models.
- 4** **Vertical Check Valve** - A check valve designed for vertical installation to prevent backflow.
- 5** **Well Point** - Sometimes called a Sand Point or Drive Point because they are driven/hammered into the water table. Equipped with various sized screens, water flows into the inside of the screen and is pumped (by vacuum) to the surface.
- 6** **Jet Ejector** - Jet ejectors are a combination of nozzle and venturi that works together to create a vacuum and thereby pull additional water along with the high velocity water provided.

- 7** **Turned Coupling** - Standard pipe coupling machined/turned on the outside diameter to allow adequate water flow when used in 2" pipe/casing.
- 8** **Reducing Nipple** - 1 1/4" x 1" NPT allows smooth transition of water flowing from the jet ejector to the above ground pump.
- 9** **Casing Adapter** - Seals the top of the well casing and allows the water coming from the pump to reach a "packer-type" jet ejector using the casing as the "drive pipe".
- 10** **Regulating Valve/Pressure Regulator** - Attaches to the discharge of a jet pump (or is built-in) to recirculate some of the water in the pump through a jet ejector in the well. Required for deep well ONLY.
- 11** **Well Seal / Pitless Adapter** - Seals the well from contamination. Pitless adapters (not shown) are required in freezing climates.
- 12** **Pressure Switch** - Critical to the smooth operation of the system. As water pressure increases (from the pump filling a tank), a diaphragm in the pressure switch applies force to a spring loaded lever. As the pressure overcomes the spring tension, the contacts snap open interrupting the electrical circuit stopping the pump. The greater the spring pressure, the higher the pump ON/OFF settings.
- 13** **Pressure Tank** - Provides storage of water under pressure for delivery between cycles; allows for reserve capacity for periods of peak demand; protects and extends the life of the pump by reducing the number of on/off cycles; and, helps reduce overall system maintenance.

Jet Pump Features



Easily Serviceable

- Only four bolts to remove to gain access to internal pump parts.
- No need to disturb piping when servicing. Working parts integral to motor adapter/seal plate assembly.
- Nozzle clean out plug and drain plug in pump housing.
- Motor Adapter: Precision machined cast iron for positive alignment/concentricity on 8100/8200 series.
- Seal/Condensation Plate: Molded from heat resistant, acetal plastic for 8500/8600 series.
- All A.Y. McDonald Mfg. Co. Jet Pumps use standardized parts to minimize repair parts inventories.

Nema J Motor

- UL and CSA listed motors
- Standard service factors
- Dual voltage w/ Voltage Change Device
- Built-in thermal overload with automatic reset
- 7/16" - 20 thread



Square Flange Motor

- UL and CSA listed motors
- High service factor
- Dual voltage w/ Voltage Change Device
- Built in thermal overload with automatic reset
- Easily accessible four bolt pattern
- Separate rear compartment housing 8500 & 8600 only.
- Screwdriver slot, in the motor shaft, easily accessible to remove the impeller on 8500/8600 Series.
- 7/16" - 20 thread



8100 Series - Shallow Well

A.Y. McDonald offers a full line of shallow well and convertible jet pumps built for years of trouble free operation, with high-efficiency impellers and diffusers. The 8100 series shallow well capacity is up to 25 gallons per minute (GPM) and pressures to 80 PSI.

All 8100 Series Shallow Well Pumps come with a 1 1/4" suction pipe and 3/4" discharge on the side or 1" on top. The sizes range from 1/2 to 1 horse power (HP).



Features:

- Nema J (Threaded Shaft) Motor 7/16" - 20 Threads
- Pressure switch factory settings:
 1/2 HP High Capacity = 20-40 PSI
 1/2 HP High Pressure = 30-50 PSI
 All 3/4 and 1 HP = 30-50 PSI
- * Maximum Amp. Draw at factory voltage setting.

Models Available

High Capacity

Model No.	HP	Volt	*Max. Amps	Switch	Impeller	A	B	C	D	WT
8150	1/2	115/230	11.2	20/40	plastic	20"	10"	10.5"	8"	46
8151	1/2	115/230	11.2	20/40	brass	20"	10"	10.5"	8"	46
8170	3/4	230/115	7.4	30/50	plastic	19.5"	10"	10.5"	8"	49
8171	3/4	230/115	7.4	30/50	brass	19.5"	10"	10.5"	8"	50
8110	1	230/115	8.8	30/50	plastic	20"	10"	10.5"	8"	52
8111	1	230/115	8.8	30/50	brass	20"	10"	10.5"	8"	53

High Pressure

Model No.	HP	Volt	*Max. Amps	Switch	Impeller	A	B	C	D	WT
8150HP	1/2	115/230	11.2	30/50	plastic	20"	10"	10.5"	8"	46
8151HP	1/2	115/230	11.2	30/50	brass	20"	10"	10.5"	8"	48
8170HP	3/4	230/115	7.4	30/50	plastic	19.5"	10"	10.5"	8"	49
8171HP	3/4	230/115	7.4	30/50	brass	19.5"	10"	10.5"	8"	50
8110HP	1	230/115	8.8	30/50	plastic	20"	10"	10.5"	8"	52
8111HP	1	230/115	8.8	30/50	brass	20"	10"	10.5"	8"	53

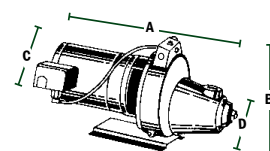
*Factory Voltage Setting listed first in bold type.

High Capacity | Shallow Well

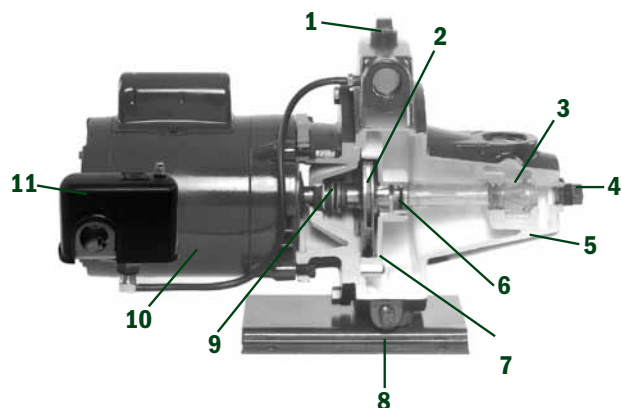
Model No.	HP	Suction Lift - Ft.	Capacities in GPM at Discharge Pressure (PSI)				MAX. Shut Off Pressure
			20	30	40	50	
8150	1/2	5	15.6	15.6	8.6	2.3	58
8151		15	11.7	11.7	6.5	1.2	
		25	6.6	6.6	4.7	--	
8170	3/4	5	18.8	18.8	16.2	8.8	61
8171		15	14.4	14.4	12.3	3.9	
		25	8.6	8.6	7.3	2.7	
8110	1	5	24.2	24.0	23.0	15.0	64
8111		15	20.1	18.6	18.4	10.9	
		25	11.6	11.4	11.3	4.7	

High Pressure | Shallow Well

Model No.	HP	Suction Lift - Ft.	Capacities in GPM at Discharge Pressure (PSI)					MAX. Shut Off Pressure
			30	40	50	60	70	
8150HP	1/2	5	7.6	7.1	5.7	2.7	70	
8151HP		15	5.5	5.4	4.3	2.0		
		25	3.7	3.6	2.9			
8170HP	3/4	5	9.4	9.4	7.8	4.2	74	
8171HP		15	7.0	7.0	5.9	2.9		
		25	4.6	4.6	3.8	2.1		
8110HP	1	5	13.4	13.4	12.7	9.2	3.0	80
8111HP		15	10.0	10.0	9.4	6.5	2.4	
		25	6.2	6.2	6.0	4.3	1.8	



Overall Length "A" | Overall Height "B"
 Overall Width with Pressure Switch "C"
 Overall Width without Pressure Switch "D"



- 1 - Zinc Plated Plug
(With Pressure Gauge Tap & 1/4" plug)
- 2 - Impeller
Available in either dynamically balanced bronze or engineered thermoplastic
- 3 - Nozzle-Venturi (Jet Ejector) Assembly
Unitized construction made of non-distorting Polycarbonate with excellent heat resistance
- 4 - Zinc Plated Nozzle Clean-out Plug
- 5 - Cast Iron Pump Body & Motor Adapter
- 6 - Buna-N O-ring (On Venturi)
- 7 - Diffuser
Multi-volute engineered thermoplastic diffuser for maximum capacity and pressure
- 8 - Drain Plug
- 9 - Shaft Seal
Standard 5/8" ceramic carbon rotating mechanical seal
- 10 - Standard, Capacitor Start, Nema J Motor
Built to NEMA specifications by nationally known manufacturers to assure local service availability. Choice of 1/2, 3/4 and 1 H.P. 50 Hz. or 60 Hz.
- 11 - Pressure Switch
Easily adjusted for higher or lower operating pressures

8200 Series - Convertible

A.Y. McDonald offers a full line of shallow well and convertible jet pumps built for years of trouble free operation, with high-efficiency impellers and diffusers. The 8200 series convertible capacity is up to 25 gallons per minute (GPM) and pressures to 80 PSI.

All 8200 Series Convertible Pumps come with a 1 1/4" suction pipe and 3/4" discharge on the side or 1" on top. The sizes range from 1/2 to 1 horse power (HP).

Features:

- Nema J (Threaded Shaft) Motor 7/16" - 20 Threads
- Pressure switch factory settings:
1/2 HP = 20-40 PSI
3/4 and 1 HP = 30-50 PSI
- Two pipe tapings 1" x 1 1/4"
- * Maximum Amp. Draw at factory voltage setting.

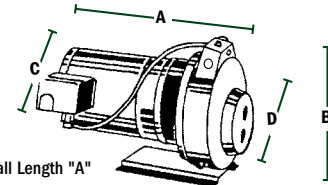


Models Available

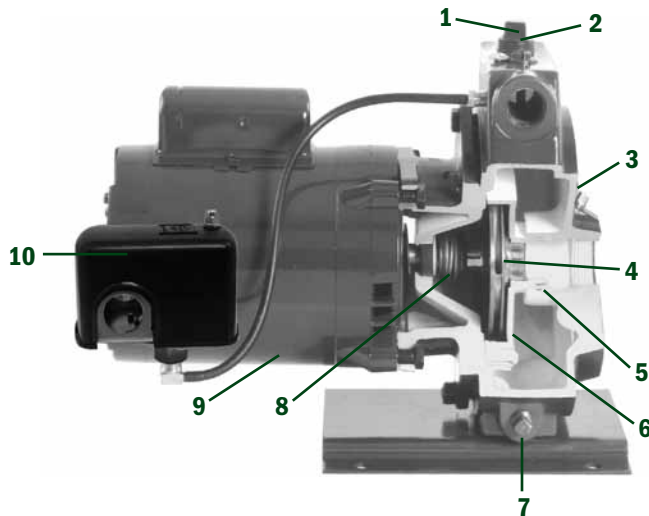
Model No.	HP	Volt	*Max. Amps	Impeller	A	B	C	D	WT
8250	1/2	115/230	11.2	plastic	15.5"	10"	10.5"	8"	42
8251	1/2	115/230	11.2	brass	15.5"	10"	10.5"	8"	44
8270	3/4	230/115	7.4	plastic	15"	10"	10.5"	8"	45

Factory Voltage setting listed first in bold type.
(See pg. 7 for required Jet Ejectors)

Model No.	HP	Volt	*Max. Amps	Impeller	A	B	C	D	WT
8271	3/4	230/115	7.4	brass	15"	10"	10.5"	8"	47
8210	1	230/115	8.8	plastic	15.5"	10"	10.5"	8"	48
8211	1	230/115	8.8	brass	15.5"	10"	10.5"	8"	50



Overall Length "A"
Overall Height "B"
Overall Width with Pressure Switch "C"
Overall Width without Pressure Switch "D"



- 1 - **Zinc Plated Plug**
(With Pressure Gauge Tap & 1/4" plug)
- 2 - **Internal Regulating Valve**
(Manual adjustment for deep well only)
- 3 - **Cast Iron Pump Body & Motor Adapter**
- 4 - **Impeller**
Available in either dynamically balanced bronze or engineered thermoplastic
- 5 - **Buna-N O-ring (In Body)**
- 6 - **Diffuser**
Multi-volute engineered thermoplastic diffuser for maximum capacity and pressure
- 7 - **Drain Plug**
- 8 - **Shaft Seal**
Standard 5/8" ceramic carbon rotating mechanical seal
- 9 - **Standard, Capactor Start, Nema J Motor**
Built to NEMA specifications by nationally known manufacturers to assure local service availability. Choice of 1/2, 3/4 and 1 H.P. 50 Hz. or 60 Hz.
- 10 - **Pressure Switch**
Easily adjusted for higher or lower operating pressures

8200 Series - Convertible

8200 Series - Convertible | Shallow Well Performance

Model No.	HP	Jet Ejector*	Suction Lift - Ft.	Capacities in GPM at Discharge Pressure (PSI)						Max. Shut Off Pressure
				20	30	40	50	60	70	
8250 8251	1/2	7651-JP Hi-Capacity	5	15.6	15.6	8.6	2.3			58
			15	11.7	11.7	6.5	1.2			
			25	6.6	6.6	4.7				
		7655-JP Hi-Pressure	5	7.6	7.6	7.1	5.7	2.7		74
			15	5.5	5.5	5.4	4.3	2.0		
			25	3.7	3.7	3.6	2.9			
8270 8271	3/4	7652-JP Hi-Capacity	5	18.8	18.8	16.2	8.8			61
			15	14.4	14.4	12.3	3.9			
			25	8.6	8.6	7.3	2.7			
		7656-JP Hi-Pressure	5	9.7	9.4	9.4	7.8	4.2		75
			15	7.1	7.0	7.0	5.9	2.9		
			25	4.7	4.6	4.6	3.8	2.1		
8210 8211	1	7653-JP Hi-Capacity	5	24.2	24.0	23.0	15.0			64
			15	20.1	18.6	18.4	10.9			
			25	11.6	11.4	11.3	4.7			
		7657-JP Hi-Pressure	5	13.3	13.3	13.3	12.7	9.2	3.0	80
			15	10.0	10.0	10.0	9.4	6.5	2.4	
			25	6.2	6.2	6.2	6.0	4.3	1.8	

*Jet Ejectors must be ordered separately

Shallow Well Performance without Jet Ejector

Model No.	HP	Jet Ejector*	Suction Lift - Ft.	Capacities in GPM at Discharge Pressure (PSI)						Max. Shut Off Pressure
				10	15	20	25	30	35	
8250 8251	1/2	Without Jet	10	49.5	47	39.5	25	11		34
			20	45	40.5	28	11.5			
8270 8271	3/4	Without Jet	10	60	58	56	51.5	40		38
			20	52	52	50	41	19		
8210 8211	1	Without Jet	10	65	63	61	57	50	41.5	42
			20	54	53.5	52	48	41	26	

8200 Series - Convertible | Deep Well Performance at 20 PSI | For 20-40 PSI Pressure Switch Setting

Model No.	HP	Well Casing Size	Jet Ejector*	Deep Well Capacities in GPM - At Depth to Water In Feet										
				30	40	50	60	70	80	90	100	110	120	
8250 8251	1/2	4"	7508-JP	12.7	10.5	8.8								
		4"	7509-JP		9.3	8.1	6.3	5.0	4.0					
		2"	7735-JP	11.3	9.4	7.9								
		2"	7736-JP		8.3	7.3	5.7	4.6						
8270 8271	3/4	4"	7901-JP	16.1	13.0	9.6								
		4"	7906-JP			9.9	8.4	6.5	5.1					
		4"	7907-JP						4.7	3.9	3.3	2.5		
		2"	7808-JP	14.3	11.6	8.5								
		2"	7812-JP			8.9	7.5	5.8	4.6					
		2"	7813-JP						4.2	3.6	2.9	2.2		
8210 8211	1	4"	7901-JP	16.8	14.3	11.9								
		4"	7902-JP			11.8	9.9	8.1	6.3					
		4"	7903-JP						5.5	4.8	4.3	3.5	2.8	
		2"	7808-JP	15.0	12.9	10.7								
		2"	7809-JP			10.4	8.8	7.2	5.6					
		2"	7810-JP						4.8	4.2	3.8	3.1	2.6	

*Jet Ejectors must be ordered separately

8500 Series - Shallow Well

A.Y. McDonald offers a full line of shallow well and convertible jet pumps built for years of trouble free operation, with high-efficiency impellers and diffusers. The 8200 series shallow well capacity is up to 25 gallons per minute (GPM) and pressures to 80 PSI.

All 8500 Series Shallow Well Pumps come with a 1 1/4" suction pipe and 3/4" discharge on the side or 1" on top. The sizes range from 1/3 to 1 horse power (HP).

Features:

- Square Flange Motor 7/16" - 20 Threads
- Pressure switch factory settings:
1/3 and 1/2 HP High Capacity = 20-40 PSI
1/3 and 1/2 HP High Pressure = 30-50 PSI
All 3/4 and 1 HP = 30-50 PSI
- * Maximum Amp. Draw at factory voltage setting.



Models Available

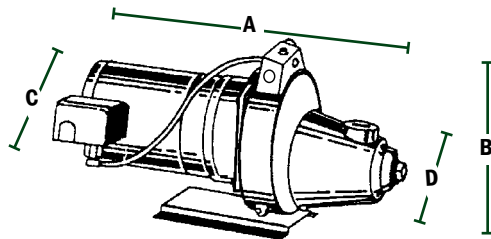
High Capacity

Model No.	HP	Volt	*Max. Amps	Impeller	A	B	C	D	WT
8530	1/3	115/230	10.6	plastic	19.5"	10"	10.5"	8"	38
8531	1/3	115/230	10.6	brass	19.5"	10"	10.5"	8"	40
8550	1/2	115/230	12.0	plastic	20"	10"	10.5"	8"	40
8551	1/2	115/230	12.0	brass	20"	10"	10.5"	8"	41
8570	3/4	230/115	7.6	plastic	20.2"	10"	10.5"	8"	42
8571	3/4	230/115	7.6	brass	20.2"	10"	10.5"	8"	44
8510	1	230/115	9.2	plastic	20.6"	10"	10.5"	8"	45
8511	1	230/115	9.2	brass	20.6"	10"	10.5"	8"	46

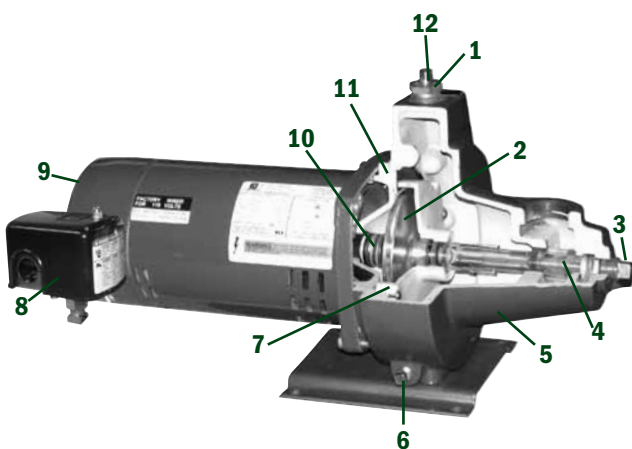
Factory Voltage setting listed first in bold type.

High Pressure

Model No.	HP	Volt	*Max. Amps	Impeller	A	B	C	D	WT
8530HP	1/3	115/230	10.6	plastic	19.5"	10"	10.5"	8"	41
8531HP	1/3	115/230	10.6	brass	19.5"	10"	10.5"	8"	42
8550HP	1/2	115/230	12.0	plastic	20"	10"	10.5"	8"	40
8551HP	1/2	115/230	12.0	brass	20"	10"	10.5"	8"	42
8570HP	3/4	230/115	7.6	plastic	20.2"	10"	10.5"	8"	42
8571HP	3/4	230/115	7.6	brass	20.2"	10"	10.5"	8"	44
8510HP	1	230/115	9.2	plastic	20.6"	10"	10.5"	8"	45
8511HP	1	230/115	9.2	brass	20.6"	10"	10.5"	8"	47



Overall Length "A"
Overall Height "B"
Overall Width with Pressure Switch "C"
Overall Width without Pressure Switch "D"



1 - Zinc Plated Plug

(With Pressure Gauge Tap and 1/4" plug in side discharge, see picture above)

2 - Impeller

Available in engineered polycarbonate thermoplastic

3 - Zinc Plated Nozzle Cleanout Plug

4 - Nozzle-Venturi (jet Ejector) Assembly

Unitized construction made of non-distorting Polycarbonate with excellent heat resistance

5 - Cast Iron Pump Body

6 - Drain Plug

7 - Diffuser

Quas-volute engineered thermoplastic diffuser for maximum capacity and pressure

8 - Pressure Switch

Easily adjusted for higher or lower operating pressures

9 - High Service Factor, Capacitor Start, Threaded Shaft, Square Flange Motor

Built to specifications by nationally known manufacturers to assure local service availability.
Choice of 1/3, 1/2, 3/4 and 1 H.P.
50 Hz. or 60 Hz.

10- Shaft Seal

Standard 5/8" ceramic carbon rotating mechanical seal

11- Thermoplastic Seal / Condensation Plate

Provides air gap between motor and water chamber

12- Discharge

1" Top or 3/4" Side discharge

8500 Series - Shallow Well

8500 Series - High Capacity | Shallow Well

Model No.	HP	Suction Lift - FT.	Capacities in GPM at Discharge Pressure (PSI)				Max. Shut Off Pressure
			20	30	40	50	
8530 8531	1/3	5	12.6	12.6	7.4	2.5	57
		15	10.0	10.0	6.0	1.3	
		25	5.8	5.8	2.7	--	
8550 8551	1/2	5	15.6	15.6	8.6	2.3	58
		15	11.7	11.7	6.5	1.2	
		25	6.6	6.6	4.7	--	
8570 8571	3/4	5	18.8	18.8	16.2	8.8	61
		15	14.4	14.4	12.3	3.9	
		25	8.6	8.6	7.3	2.7	
8510 8511	1	5	24.2	24.0	23.0	15	64
		15	20.1	18.6	18.4	10.9	
		25	11.6	11.4	11.3	4.7	

8500HP Series - High Pressure | Shallow Well

Model No.	HP	Suction Lift - FT.	Capacities in GPM at Discharge Pressure (PSI)					Max. Shut Off Pressure
			30	40	50	60	70	
8530HP 8531HP	1/3	5	6.7	6.1	4.3	2.3		70
		15	4.8	4.6	3.3	1.1		
		25	3.0	2.9	2.1			
8550HP 8551HP	1/2	5	7.6	7.1	5.7	2.7		74
		15	5.5	5.4	4.3	2.0		
		25	3.7	3.6	2.9			
8570HP 8571HP	3/4	5	9.4	9.4	7.8	4.2		75
		15	7.0	7.0	5.9	2.9		
		25	4.6	4.6	3.8	2.1		
8510HP 8511HP	1	5	13.4	13.4	12.7	9.2	3.0	80
		15	10.0	10.0	9.4	6.5	2.4	
		25	6.2	6.2	6.0	4.3	1.8	

8600 Series - Convertible

A.Y. McDonald offers a full line of shallow well and convertible jet pumps built for years of trouble free operation, with high-efficiency impellers and diffusers. The 8600 series convertible capacity is up to 65 gallons per minute (GPM) and pressures to 80 PSI.

All 8600 Series Convertible Pumps come with a 1 1/4" suction pipe and 3/4" discharge on the side or 1" on top. The sizes range from 1/3 to 1 horse power (HP).

Features:

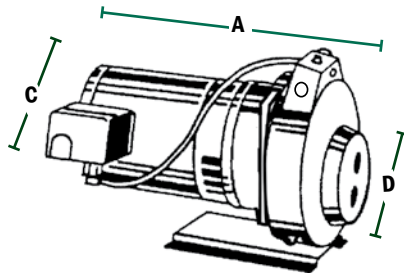
- Square Flange Motor 7/16" - 20 Threads
- Deep Well performance to 120 feet to water
- Pressure switch factory settings:
1/3 and 1/2 HP = 20-40 PSI
3/4 and 1 HP = 30-50 PSI
- Two pipe tapings 1" x 1 1/4"
- * Maximum Amp. Draw at factory voltage setting.



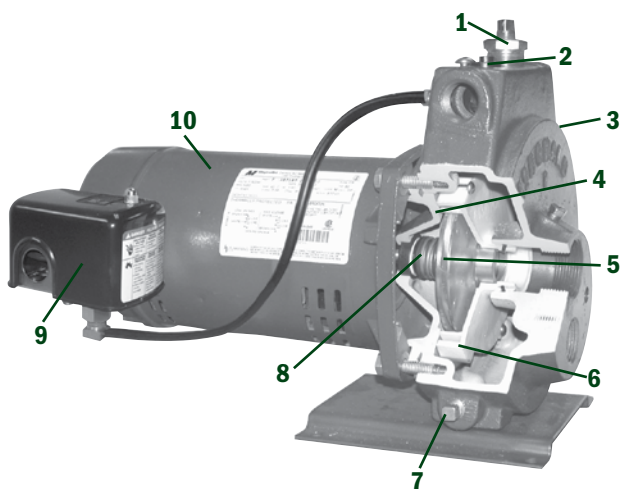
Models Available

Model No.	HP	Volt	*Max. Amps	Impeller	A	B	C	D	WT	Model No.	HP	Volt	*Max. Amps	Impeller	A	B	C	D	WT
8630	1/3	115/230	10.6	plastic	15.2"	10"	10.5"	8"	35	8670	3/4	230/115	7.6	plastic	15.9"	10"	10.5"	8"	39
8631	1/3	115/230	10.6	brass	15.2"	10"	10.5"	8"	36	8671	3/4	230/115	7.6	brass	15.9"	10"	10.5"	8"	40
8650	1/2	115/230	12.0	plastic	15.5"	10"	10.5"	8"	37	8610	1	230/115	9.2	plastic	16.2"	10"	10.5"	8"	42
8651	1/2	115/230	12.0	brass	15.5"	10"	10.5"	8"	38	8611	1	230/115	9.2	brass	16.2"	10"	10.5"	8"	44

*Factory Voltage setting listed first in bold type.
(See pg. 11 for required Jet Ejectors)



- Overall Length "A"
- Overall Height "B"
- Overall Width with Pressure Switch "C"
- Overall Width without Pressure Switch "D"



- 1 - **Zinc Plated Plug**
(With Pressure Gauge Tap and 1/4" plug)
- 2 - **Internal Regulating Valve**
(Manual adjustment for deep well only)
- 3 - **Cast Iron Pump Body**
- 4 - **Seal / Condensation Plate**
Provides air gap between motor and water chamber
- 5 - **Impeller**
Available in engineered polycarbonate thermoplastic
- 6 - **Diffuser**
Multi-volute engineered thermoplastic diffuser for maximum capacity and pressure
- 7 - **Drain Plug**
- 8 - **Shaft Seal**
Standard 5/8" ceramic carbon rotating mechanical seal
- 9 - **Pressure Switch**
Easily adjusted for higher or lower operating pressures
- 10 - **High Service Factor, Capacitor Start, Threaded Shaft, Square Flange Motor**
Built to NEMA specifications by nationally known manufacturers to assure local service availability. Choice of 1/3, 1/2, 3/4 and 1 H.P. 50 Hz. or 60 Hz.

8600 Series - Convertible

8600 Series - Convertible | Shallow Well Performance

Model No.	HP	Jet Ejector*	Suction Lift - FT.	Capacities in GPM at Discharge Pressure (PSI)						Max. Shut Off Pressure
				20	30	40	50	60	70	
8630 8631	1/3	7650-JP Hi-Capacity	5	12.6	12.6	7.4	2.5			57
			15	10.0	10.0	6.0	1.3			
		7654-JP Hi-Pressure	5	6.8	6.8	6.1	4.3	2.3		70
			15	4.8	4.8	4.6	3.3	1.1		
8650 8651	1/2	7651-JP Hi-Capacity	5	15.6	15.6	8.6	2.3			58
			15	11.7	11.7	6.5	1.2			
		7655-JP Hi-Pressure	5	7.6	7.6	7.1	5.7	2.7		74
			15	5.5	5.5	5.4	4.3	2.0		
8670 8671	3/4	7652-JP Hi-Capacity	5	18.8	18.8	16.2	8.8			61
			15	14.4	14.4	12.3	3.9			
		7656-JP Hi-Pressure	5	9.7	9.4	9.4	7.8	4.2		75
			15	7.1	7.0	7.0	5.9	2.9		
8610 8611	1	7653-JP Hi-Capacity	5	24.2	24.0	23.0	15.0			64
			15	20.1	18.6	18.4	10.9			
		7657-JP Hi-Pressure	5	13.3	13.3	13.3	12.7	9.2	3.0	80
			15	10.0	10.0	10.0	9.4	6.5	2.4	
			25	6.2	6.2	6.2	6.0	4.3	1.8	

Shallow Well Performance without Jet Ejector

Model No.	HP	Jet Ejector*	Suction Lift - FT.	Capacities in GPM at Discharge Pressure (PSI)						Max. Shut Off Pressure
				10	15	20	25	30	35	
8630	1/3	Without	10	45	41.5	30	15			26
8631		Jet	20	40	31	20				
8650	1/2	Without	10	49.5	47	39.5	25	11		34
8651		Jet	20	45	40.5	28	11.5			
8670	3/4	Without	10	60	58	56	51.5	40		38
8671		Jet	20	52	52	50	41	19		
8610	1	Without	10	65	63	61	57	50	41.5	42
8611		Jet	20	54	53.5	52	48	41	26	

8600 Series - Convertible | Deep Well Performance at 20 PSI - For 20-40 Pressure Switch Setting

Model No.	HP	Well Casing Size	Jet Ejector*	Deep Well Capacities in GPM - At Depth to Water In Feet									
				30	40	50	60	70	80	90	100	110	120
8630 8631	1/3	4"	7502-JP	9.8	8.0	6.2							
		4"	7503-JP		6.9	5.7	4.3	3.3					
		2"	7733-JP	8.8	7.2	5.6							
		2"	7734-JP		6.2	5.1	3.8	3.0					
8650 8651	1/2	4"	7508-JP	12.7	10.5	8.8							
		4"	7509-JP		9.3	8.1	6.3	5.0	4.0				
		2"	7735-JP	11.3	9.4	7.9							
		2"	7736-JP		8.3	7.3	5.7	4.6					
8670 8671	3/4	4"	7901-JP	16.1	13.0	9.6							
		4"	7906-JP			9.9	8.4	6.5	5.1				
		4"	7907-JP						4.7	3.9	3.3	2.5	
		2"	7808-JP	14.3	11.6	8.5							
		2"	7812-JP			8.9	7.5	5.8	4.6				
		2"	7813-JP						4.2	3.6	2.9	2.2	
8610 8611	1	4"	7901-JP	16.8	14.3	11.9							
		4"	7902-JP			11.8	9.9	8.1	6.3				
		4"	7903-JP						5.5	4.8	4.3	3.5	2.8
		2"	7808-JP	15.0	12.9	10.7							
		2"	7809-JP			10.4	8.8	7.2	5.6				
		2"	7810-JP						4.8	4.2	3.8	3.1	2.6

*Jet Ejectors must be ordered separately

1000 Series - Multi-Stage

A.Y. McDonald offers a full line of shallow well, convertible, and multi-stage jet pumps built for years of trouble free operation, with high-efficiency impellers and diffusers. The 1000 series shallow well capacity is up to 40 gallons per minute (GPM) and pressures to 70 PSI.

All 1000 Series Multi-Stage Pumps come with a 1 1/4" suction pipe and a 1" discharge. The sizes range from 3/4 to 1 1/2 horse power (HP).

Features:

- Nema C (Keyed Shaft) Motor
- Pressure switch factory setting 30-50 PSI
- Two pipe drop pipe 1" x 1 1/4" (with 108 adaptor)
- SW models are less regulating valve
- * Maximum Amp. Draw at factory voltage setting.

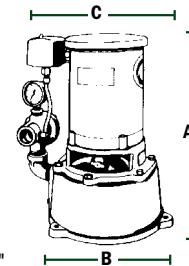


Models Available

Model No.	HP	Volt	Max. Amps	Impeller	A	B	C	WT
1075	3/4	230/115	7.4	brass	16"	10"	9"	67
1075SW	3/4	230/115	7.4	brass	16"	10"	9"	66
1010	1	230/115	9.0	brass	16"	10"	9"	69
1010SW	1	230/115	9.0	brass	16"	10"	9"	68
1015SW	1 1/2	230/115	10.6	brass	17"	10"	9"	68

*Factory Voltage setting listed first in bold type.

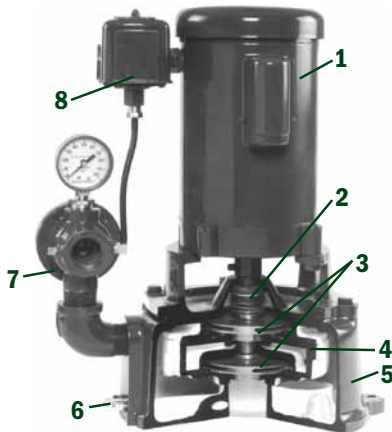
Add a "P" to any 1000 Series pump for a plastic impeller e.g. 1075P



Overall Height "A"

Overall Width "B" (without Regulating Valve)

Overall Width "C" (with Pressure Switch)



- 1 - Nema Standard Motor**
Heavy duty, capacitor start, dual voltage (115/230) with built-in overload protection. Choice of 3/4, 1, 1 1/2 HP & 50 Hz. or 60 Hz.
- 2 - Shaft Seal**
Standard 5/8" ceramic carbon rotating mechanical seal
- 3 - Impeller**
Available in either dynamically balanced bronze or engineered thermoplastic
- 4 - Cast Iron Diffusers**
Precision machined for greatest efficiency

- 5 - Cast Iron Pump Body & Motor Adapter**
- 6 - Drain Plug**
- 7 - Automatic Diaphragm Type Regulating Valve**
Positive acting - non-chattering for easier pump priming. Assures maximum performance at varying water levels (For deep well only)
- 8 - Pressure Switch**
Easily adjusted for higher or lower operating pressures

1000 Series - Multi-Stage

1000 Series | Shallow Well Performance

Model No.	HP	Jet Ejector	Suction Lift - FT.	Capacities in GPM at Discharge Pressure (PSI)					Max. Shut Off Pressure
				20	30	40	50	60	
1075SW	3/4	N/A	10	34.3	28.8	22.2			53
			15	33.2	27.6	20.4			51
			25	29.9	24.6				46
1010SW	1	N/A	10	41.7	37.7	31.7	24.2		65
			15	40.0	36.5	30.2	22.2		63
			25	29.5	28.5	26.5	16.5		58
1015SW	1 1/2	N/A	10	42.3	40.5	36.5	32.0	24.6	76
			15	41.7	39.8	35.3	29.3	23.0	74
			25	33.3	32.5	31.0	26.5	18.8	69

1000 Series | Deep Well Performance at 30 PSI - For 30-50 PSI Pressure Switch Setting

Model No.	HP	Jet Ejector Package		Depth to Water in Feet															
		4" Two Pipe	2" Single Pipe	30	40	50	60	70	80	90	100	110	120	130	140	150	160		
1075	3/4		7125 MP	14.5	13.1	11.2	9.3	7.2											
			7126 MP				9.3	8.0	6.6	5.4	4.2	3.2							
			7127 MP							5.7	5.0	4.2	3.5	2.7	2.0	1.3			
			7109 MP			16.1	14.6	12.5	10.3	8.0									
			7110 MP						10.3	8.9	7.4	6.0	4.7	3.5					
1010	1		7111 MP							6.4	5.5	4.7	3.9	3.0	2.3	1.5			
			7128 MP	14.5	13.5	12.1	10.8	8.9	6.7										
			7129 MP					9.7	8.3	7.4	6.5	5.6	4.9	4.0					
			7130 MP									5.8	4.9	4.2	3.5	2.9	2.2	1.5	
			7112 MP			16.1	15.0	12.0	9.9	7.5									
	7113 MP						10.8	9.2	8.2	7.2	6.3	5.5					2.5		
	7114 MP									6.5	5.5	4.5	4.1	3.9	3.2	1.6			

1500 Series - Multi-Stage

A.Y. McDonald offers a full line of shallow well, convertible, and multi-stage jet pumps built for years of trouble free operation, with high-efficiency impellers and diffusers. The 1500 series shallow well capacity is up to 40 gallons per minute (GPM) and pressures to 100 PSI.

All 1500 Series Multi-Stage Pumps come with a 1 1/4" suction pipe and a 1" discharge. The sizes range from 3/4 to 1 1/2 horse power (HP).

Features:

- Nema C (Keyed Shaft) Motor
- Pressure switch factory setting 30-50 PSI
- Two pipe drop pipe 1" x 1 1/4" (with 108 adaptor)
- SW models are less regulating valve
- * Maximum Amp. Draw at factory voltage setting.

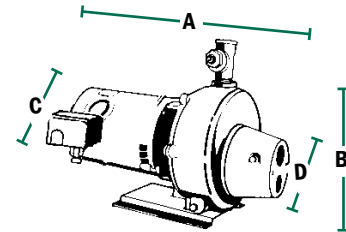


Models Available

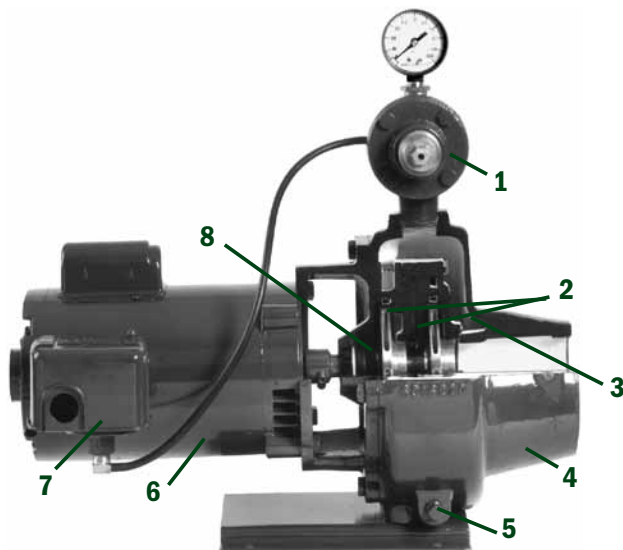
Model No.	HP	Volt	Max. Amps	Impeller	A	B	C	D	WT
1575	3/4	230/115	7.4	brass	19.5"	10.5"	11"	8.8"	68
1575SW	3/4	230/115	7.4	brass	19.5"	10.5"	11"	8.8"	62
1510	1	230/115	9.0	brass	19.5"	10.5"	11"	8.8"	68
1510SW	1	230/115	9.0	brass	19.5"	10.5"	11"	8.8"	69
1515SW	1 1/2	230/115	10.6	brass	20.5"	10.5"	11"	8.8"	69

Factory Voltage setting listed first in bold type.

Add a "P" to any 1500 Series pump for a plastic impeller e.g. 1575P



Overall Length "A"
 Overall Height "B" (without Regulating Valve)
 Overall Width "C" (with Pressure Switch)
 Overall Width "D" (without Pressure Switch)



- 1 - Automatic Diaphragm Type Regulating Valve**
Positive acting - non-chattering for easier pump priming. Assures maximum performance at varying water levels (For deep well only)
- 2 - Impeller**
Available in either dynamically balanced bronze or engineered thermoplastic
- 3 - Cast Iron Diffusers**
Precision machined for greatest efficiency
- 4 - Cast Iron Pump Body & Motor Adapter**
- 5 - Drain Plug**
- 6 - Nema Standard Motor**
Heavy duty, capacitor start, dual voltage (230/115) with built-in overload protection. Choice of 3/4, 1, 1 1/2 HP & 50 Hz. or 60 Hz.
- 7 - Pressure Switch**
Easily adjusted for higher or lower operating pressures
- 8 - Shaft Seal**
Standard 3/4" ceramic carbon rotating mechanical seal

1500 Series - Multi-Stage

1500 Series | Shallow Well Performance

Model No.	HP	Jet Ejector*	Suction Lift - FT.	Capacities in GPM at Discharge Pressure (PSI)							Max. Shut Off Pressure
				20	30	40	50	60	70	80	
1575SW Without Jet	3/4	N/A	10	34.3	28.7	22.1					53
			15	33.1	27.5	20.4					51
			25	29.9	24.5						46
1510SW Without Jet	1	N/A	10	41.6	37.6	31.6	24.1				65
			15	40.0	36.5	30.1	22.1				63
			25	29.5	28.5	26.5	16.5				58
1515SW Without Jet	1 1/2	N/A	10	42.3	40.5	36.5	32.0	24.5			76
			15	41.6	39.8	35.2	29.3	23.0			74
			25	33.3	32.5	31.0	26.5	18.8			69
1575 Requires Jet*	3/4	7659 JP	10		12.3	12.3	12.1	11.7	10.0	6.1	96
			15		11.0	11.0	11.0	10.5	7.6	4.1	94
			25		7.1	7.0	7.0	7.0	7.0	3.0	89
1510 Requires Jet*	1	7658 JP	10		15.0	14.8	14.7	14.1	13.4	9.1	102
			15		13.0	12.9	12.9	12.8	12.4	8.2	100
			25		7.6	7.5	7.5	7.5	7.4	6.3	96
1515SW Requires Jet*	1 1/2	7652 JP	10	17.4	17.2	17.1	16.9	15.0	10.0	5.8	100
			15	15.0	15.0	14.7	14.5	13.6	9.7	5.0	98
			25	9.6	9.2	9.0	8.8	8.8	6.7	3.1	94

*Purchase jet ejector separately.

1500 Series | Deep Well Performance at 30 PSI - For 30-50 PSI Pressure Switch Setting

Model No.	HP	Jet Ejector Package		Depth to Water in Feet															
		4" Two Pipe	2" Single Pipe	30	40	50	60	70	80	90	100	110	120	130	140	150	160		
1575	3/4		7125 MP	14.5	13.1	11.2	9.3	7.2											
			7126 MP				9.3	8.0	6.6	5.4	4.2	3.2							
			7127 MP							5.7	5.0	4.2	3.5	2.7	2.0	1.3			
			7109 MP	16.1	14.6	12.5	10.3	8.0											
			7110 MP					10.3	8.9	7.4	6.0	4.7	3.5						
1510	1		7111 MP						6.4	5.5	4.7	3.9	3.0	2.3	1.5				
			7128 MP	14.5	13.5	12.1	10.8	8.9	6.7										
			7129 MP				9.7	8.3	7.4	6.5	5.6	4.9	4.0						
			7130 MP								5.8	4.9	4.2	3.5	2.9	2.2	1.5		
			7112 MP	16.1	15.0	13.5	12.0	9.9	7.5										
	7113 MP				10.8	9.2	8.2	7.2	6.3	5.5	4.5								
	7114 MP								6.5	5.5	4.6	3.9	3.2	2.5	1.6				

Nema J Motor

The 8100 and 8200 series jet pumps use the Nema J motor, which has a single phase, Open Drip Proof (ODP) capacitor start.

Features:

- 303 Stainless steel shaft
- Shaft threads 7/16-20 UNF-2A, 0.625" Diameter, 2.57" long from face
- Ball bearings (locked drive end bearing)
- Continuous duty at 40°C/104°F Ambient, 60Hz
- Automatic reset thermal overload protector
- Round frame (without base), Nema 56C mounting
- Power leads and ground wire supplied for proper connection to the pressure switch
- Voltage change device



Single Compartment Products

HP	RPM	Frame	Catalog Volts	Number	Type	Service Factor	SF* AMPS	MTR LGTH(1)	Ship WGT	Factory Wired
1/2	3500	48/56	115/230	6155-240	FHP	1.60	11.2/5.6	9.0"	15	115V
3/4	3500	48/56	230/115	6155-241	FHP	1.50	7.4/14.8	9.5"	19	230V
1	3500	48/56	230/115	6155-242	FHP	1.40	8.8/17.6	10"	21	230V

(1) Length not including shaft

Square Flange Motor

The 8500 and 8600 series jet pumps use the Nema J motor, which has a single phase, Open Drip Proof (ODP) capacitor start.

Features:

- 303 Stainless steel shaft
- Shaft threads 7/16-20 UNF-2A, 0.625" Diameter, .91" long from face
- Ball bearings (locked drive end bearing)
- Continuous duty at 40°C/104°F Ambient, 60Hz
- Automatic reset thermal overload protector
- Round frame (without base)
- Power leads and ground wire supplied for proper connection to the pressure switch
- Voltage change device



Two Compartment Products | E-Z Access

HP	RPM	Frame	Volts	Catalog Number	Type	Service Factor	SF* AMPS	MTR LGTH(1)	Ship WGT	Factory Wired
1/3	3500	48Y	115/230	6164-203	FHP	1.95	10.6/5.3	11.23"	17	115V
1/2	3500	48Y	115/230	6164-200	FHP	1.90	10.0/5.0	12.0"	19	115V
3/4	3500	48Y	230/115	6164-201	FHP	1.65	7.6/14.3	12.27"	22	230V
1	3500	48Y	230/115	6164-202	FHP	1.65	9.2/18.4	12.35"	24	230V

*Service Factor Amps. may vary with motor manufacturer - refer to label on motor.

(1) Length not including shaft

Nema C Motor

The 1000 and 1500 series jet pumps use the Nema C (Keyed Shaft Motor), which has a single phase, Open Drip Proof (ODP)⁽²⁾ capacitor start.



Features:

- Carbon steel shaft (not in contact with the water)
- Shaft 0.625" Diameter, x 2.07" long from face
- Ball bearings (locked drive end bearing)
- Continuous duty at 40°C/104°F Ambient, 60Hz
- Automatic reset thermal overload protector
- Round frame (without base), Nema 56C mounting
- Power leads and ground wire supplied for proper connection to the pressure switch
- Voltage change device (except 2 HP)

Two Compartment Products | E-Z Access

HP	RPM	Frame	Catalog Volts	Number	Type	Service Factor	SF* AMPS	MTR LGTH(1)	Ship WGT	Factory Wired
1/2	3500	48/56	115/230	6127-152	FHP	1.60	10.8/5.4	9.0"	16	115V
3/4	3500	48/56	230/115	6127-154	FHP	1.50	7.4/14.8	9.5"	21	230V
1	3500	48/56	230/115	6127-160	FHP	1.65	9.0/18.0	10"	24	230V
1 1/2	3500	48/56	230/115	6127-156	FHP	1.30	10.7/21.4	10.5"	28	230V

*Service Factor Amps. may vary with motor manufacturer - refer to label on motor.

*Includes run capacitor for higher efficiency

(1) Length not including shaft

(2) Contact factory for three phase and/or TEFC motors

Single Stage

Shallow Well - 8200 or 8600 Series

High Capacity

(1) 7650JP-1/3 HP

7651JP-1/2 HP

7652JP-3/4 HP

7653JP-1 HP

High Pressure

(1) 7654JP-1/3 HP

7655JP-1/2 HP

7656JP-3/4 HP

7657JP-1 HP

(1) = 1/3 HP 8600 Series ONLY



Deep Well

4" Two Pipe, 1" Drive Pipe,
and 1 1/4" Return Pipe

7502JP-1/3 HP

7503JP-1/3 HP

7508JP-1/2 HP

7509JP-1/2 HP

7901JP-3/4 & 1 HP

7902JP-1 HP

7903JP-1 HP

7906JP-3/4 HP

7907JP-3/4 HP



Two Pipe

2" Single Pipe

7733JP-1/3 HP

7734JP-1/3 HP

7735JP-1/2 HP

7736JP-1/2 HP

7808JP-3/4 & 1 HP

7809JP-1 HP

7810JP-1 HP

7812JP-3/4 HP

7813JP-3/4 HP



Single Pipe

For specific performance, see charts on page 5, 7, 9 & 11

Multi-Stage

Shallow Well

7659JP For 1575

7658JP For 1510

7652JP For 1515



Deep Well

4" Two Pipe, 1" Drive Pipe,
and 1 1/4" Return Pipe

7109MP For 1075 & 1575

7110MP For 1075 & 1575

7111MP For 1075 & 1575

7112MP For 1010 & 1510

7113MP For 1010 & 1510

7114MP For 1010 & 1510



Two Pipe

2" Single Pipe

7125MP For 1075 & 1575

7126MP For 1075 & 1575

7127MP For 1075 & 1575

7128MP For 1010 & 1510

7129MP For 1010 & 1510

7130MP For 1010 & 1510



Single Pipe

For specific performance, see charts on page 12 & 13
(2" well casing serves as the drive pipe)

* For better efficiency, use increasing fittings to allow 1 1/4" drive pipe

Adapters | Flanges

All tapped for 1 1/4" suction pipe. Gaskets, Bolts & Washer Included



101 Casing Adapter

For all 8200, 8600 and 1500 Series. With tapped openings for offset installations using two pipes to the jet pump and single pipe jet ejector in the well. Slips onto the well casing and is secured by tightening the two bolts and nuts (one pictured). Also allows the pump to bolt directly to the well head using the specially designed fiber gasket between the two flat faces.

Sizes Available: 2" or 3"



106 Casing Adapter

For all single pipe 1000 Series. Slips onto the well casing and is secured by tightening the two bolts and nuts (one pictured). Thick rubber compression gasket eliminates threading or welding of casing. 1 1/4" x 1" face bushing or reducing nipple required to permit use of 1" drop pipe. Adapters and flanges bolt directly to the base of all 1000 and 1000SW Series pumps and 8200, 8600, and 1500 series. Sizes Available: 2"



108 Threaded Flange

For all 1000 Series. Tapped openings permit use directly over standard 4" well seal as well as offset installation of all 1000 and 1000SW Series pumps. Furnished with all 1000SW pumps.

Sizes Available: 4" | Includes 1" and 1 1/4" NPT

Miscellaneous



105 - Automatic Regulating Valve

Spring loaded to maintain prime even with rising and lowering water levels. Required for deep well use only.

Sizes Available: 1"



6411-225 - Turned Coupling

Attaches to single pipe ejector and mating drop pipe or reducing nipple. Plated finish for corrosion resistance.

Allows greater flow when used inside 2" well casings. Sizes Available: 1 1/4"



3126-676 Face Bushing

For use with 2" and 3" single pipe jet ejectors and casing adapters. Sizes Available: 1 1/4" x 1"



6127-300 - Reducing/Increasing Nipple

Attaches to single pipe ejector and other uses. Sizes Available: 1 1/4" x 1" x 8"

Tubing and Fittings

3127-361 - Straight 1/4" plastic x 1/8" MPT

3127-381 - 90° 1/4" plastic x 1/4" MPT

6610-169 - Plastic tubing 1/4" x 5'

3104-326 - Conduit Locknut

3127-362 - Straight 1/4" plastic x 1/4" MPT

3127-382 - 90° 1/4" plastic x 1/8" MPT

6610-168 - Plastic tubing 1/4" x 100'

6814-177 Spray Paint

A.Y. McDonald Green - 13 oz.

Pump Accessories

A.Y. McDonald offers a full line of accessories to complete your pumping system.



No-Lead Silicon Bronze Check Valves Spring Loaded

400 PSI working pressure. Bronze finished body

500SB - FNPT x FNPT, No tappings
3/4", 1", 1 1/4", 1 1/2", 2"

540SB - FNPT x FNPT, tapped 1/8" and 1/4"
1", 1 1/4", 1 1/2", 2"

500MS - FNPT x MNPT, No tappings
1" x 1 1/4", 1 1/4" x 1 1/4", 2" x 2"



Pipe Holder - 8871

For 1", 1 1/4", 1 1/2", or 2" pipe

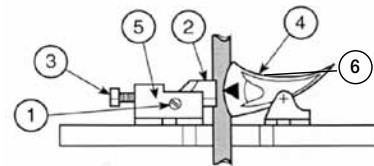
- Solid cast iron construction
- Time proven design
- 2000 lb. non-shock load limit



Stainless Steel Check Valves - Spring Loaded

400 PSI working pressure.

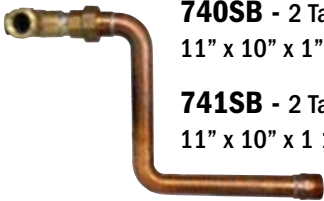
500MSS - FNPT x MNPT, No tappings
1" x 1 1/4", 1 1/4" x 1 1/4"



Pipe Holder Repair Parts

- 1 - 3117-612 Set screw 1/2-13 x 3/4
- 2 - 6814-236 Adjusting slide
- 3 - 3117-611 Adjusting screw
- 4 - 6814-235 Pipe holder dog
- 5 - 6814-234 Body Casting
- 6 - 6814-237 Pin
- 7 - 6814-238 Wood Base

No-Lead Elevated Tank Tees



740SB - 2 Taps - 3/4" x 1"
11" x 10" x 1" - Length x Height x Connection

741SB - 2 Taps - 1" x 1 1/4"
11" x 10" x 1 1/4" - Length x Height x Connection

6214 - No-Lead Pressure Relief Valves

- No-Lead Brass Construction
- Composition Disc on Brass Seat
- 180°F Max. Temperature
- Field Adjusting Not Recommended



400SB - No-Lead Silicon Bronze Foot Valves

Perforated stainless steel strainer - Spring loaded
200 PSI working pressure
3/4", 1", 1 1/4", 1 1/2", 2"

Sizes Available:

- 1/2", 3/4", 1" - Factory set at 75 PSI or 30 PSI
- 1 1/4", 1 1/2", 2" - Factory Set at 65 PSI or 30 PSI



1/2" - 1 1/4"



1 1/2" - 2"

Pump Accessories

Sanitary Well Seals

Two-piece, cast iron construction. Rubber Composition Seal.

459S - One Pipe

- 4" well..... 1", 1 1/4"
- 4 1/2" well .. 1 1/4"
- 5" well..... 1", 1 1/4"
- 5 5/8" well .. 1", 1 1/4"
- 6" well..... 1", 1 1/4", 1 1/2", 2"



460S - Two Pipe

- 4" well..... 1 1/4" x 1"
- 5" well..... 1 1/4" x 1"
- 5 5/8" well .. 1 1/4" x 1"
- 6" well..... 1 1/4" x 1"
- 6" well..... 1 1/2" x 1 1/4"



Plastic Sanitary Well Seals

Two-piece, plastic construction. Rubber Composition Seal.



- 401S - 4" well.....1"
- 402S - 4" well.....1 1/4"
- 451S - 4 1/2" well..... 1"
- 452S - 4 1/2" well 1 1/4"
- 453S - 4 1/2" well 1 1/2"
- 501S - 5" well..... 1"
- 601S - 6" well..... 1"
- 602S - 6" well..... 1 1/4"

Also available in two pipe, contact factory.

Air Volume Controls

Float Types

894 3129-383 Deep Well



Diaphragm type

- 30-AV 3129-378 - 1/4"
- 42-AV 3129-388 - 1/4"
- 80-AV 3129-379 - 1/4"
- 120-AV 3129-380 - 3/8"
- 45-AV 3129-389 - 1/4"
- 100-AV 3129-386 - 3/8"



REPAIR KITS available (see price list)

Float & Valve

8713 Float Valve

18" long - 3/4" or 1"
Repair Parts available (see price list)



8715 Floats for Float Valve

3" x 12" diameter float



Pressure Gauge

5999-897 Pressure Gauge

0-100 lbs. - 2" Dial - MPT. 1/4" Brass stem.
Steel case, Vertical installation



For electrical accessories, please see price list.

"FSG" Pressure switches are rated to 1 1/2 HP, 115V, single phase and/or 2 HP, 230V, single phase or up to 3 HP, 230V, three phase. Submersible pumps above 2 HP, one phase require deluxe control boxes with these switches.

Switches

A.Y. McDonald

Model No.	Size	Setting	Model
3129-421	1/4"	20-40	(9013FSG2J20)
3129-423	1/4"	30-50	(9013FSG2J21)
3129-432	1/4"	40-60	(9013FSG2J24)
3129-442	1/4"	20-40	(9013FSG2J20C20) 20 pack
3129-443	1/4"	30-50	(9013FSG2J21C20) 20 pack
3129-448	1/4"	40-60	(9013FSG2J24C20) 20 pack



Switches with "P" include pulsation plug to dampen surges to the switch

3129-414	1/4"	20-40	(9013FSG2J20P)
3129-436	1/4"	30-50	(9013FSG2J21P)

A.Y. McDonald

Model No.	Size	Setting	Model
Switches with "M4" include auto cut-off if pressure drops to about 10 PSIG below cut-in pressure - requires manual reset with lever provided.			
3129-420	1/4"	20-40	(9013FSG2J20M4)
3129-433	1/4"	30-50	(9013FSG2J21M4)
3129-438	1/4"	40-60	(9013FSG2J24M4)



Switches with "M1" include manual cut-off lever to allow circuit interruption at the switch to service the pump.

3129-439	1/4"	30-50	(9013FSG2J21M1)
----------	------	-------	-----------------

A.Y. McDonald

Model No.	Size	Setting	Model
"GSG" heavier duty switches are rated to 3 HP 230 V. Single phase and 5 HP 230 V. Three phase plus DC to 1 HP. They require use of deluxe control boxes on submersible pumps above 3 HP single phase.			
3129-430	1/4"	20-40	(9013GSG2J20)
3129-435	1/4"	30-50	(9013GSG2J21)
3129-434	1/4"	40-60	(9013GSG2J24)



A.Y. McDonald

Model No.	Size	Setting
3129-457	1/4"	20-40
3129-458	1/4"	30-50
3129-459	1/4"	40-60





Quality made easy.

The A.Y. McDonald DuraMAC™ booster pump is built with quality components that make it last longer in the field. It includes a 2-gallon tank to help avoid water hammer, as well as dry run protection if incoming water is interrupted. Compact size and quiet operation are benefits your customers will appreciate.

Choose A.Y. McDonald for:

- Friendly, responsive, dedicated customer service specialists
- Products built exclusively for professional installation
- Application-specific solutions to meet your needs
- Comprehensive product warranty program

Visit aymcdonald.com to learn more about our quality product lines, dependable customer service, and more than 156 years of industry-leading expertise.

More than a brand. We're a family.

aymcdonald.com ◆ 1-800-292-2737 ◆ sales@aymcdonald.com





A.Y. McDonald Mfg. Co. is a leading manufacturer of Waterworks Brass, Plumbing Valves, Pumps and Water Systems, and High Pressure Gas Valves and Meter Bars. The Company has distinguished itself with a proud tradition of quality and reliability since its founding in 1856.

The mission of A.Y. McDonald Mfg. Co., in the words of our founder, is “to make good products and sell them honestly.” We, the stockholders and employees, accomplish this by extending the McDonald family culture through excellent customer service and by focusing on our customers’ needs.



WARNING: It is unlawful in CALIFORNIA & VERMONT (effective 1/1/2010); MARYLAND (effective 1/1/2012); LOUISIANA (effective 1/1/2013) and the UNITED STATES OF AMERICA (effective 1/4/2014) to use any product in the installation or repair of any public water system or any plumbing in a facility or system that provides water for human consumption if the wetted surface area of the product has a weighted average lead content greater than 0.25%. This prohibition does not extend to service saddles used in California, Louisiana or under USA Public Law 111-380.

