

# SUBMITTAL DATA SHEET

Irrigation & Booster Pumps  
 Superbooster | Centrifugal

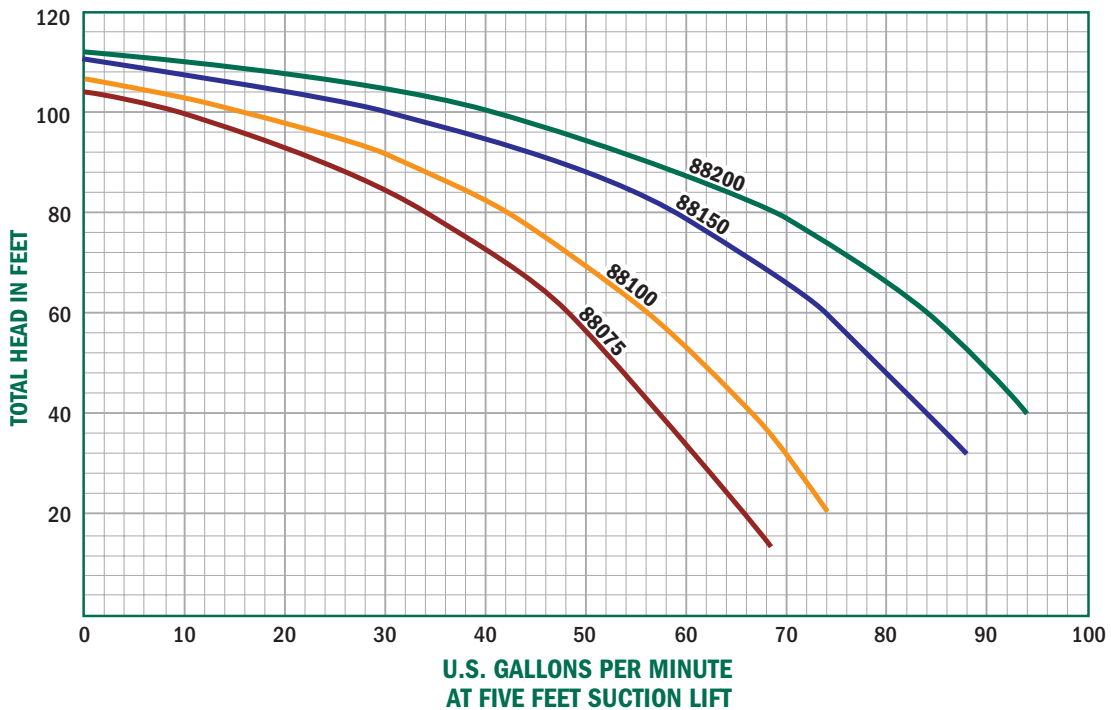
## 88000 Series - Self-Priming Centrifugal Pumps



A.Y. McDonald offers a full line of centrifugal pumps built for years of trouble free operation, with the highest pump efficiency impellers and diffusers. The impellers are extra smooth and are made of molded glass filled thermoplastic. Glass filled engineered thermoplastic replaceable diffusers are easily serviced and inexpensive to maintain. The 88000 series is ideal for both residential / commercial lawn and turf sprinkler systems.

All 88000 Series Centrifugal Pumps come with a 1 1/2" NPT discharge, 2" NPT suction, and sizes range from 3/4 to 2 horse power (HP).

### Performance Curve



### SUBMITTAL INFORMATION

- Casing & Seal Plate-Built from rugged cast iron
- Shaft Seal - Standard 5/8" rotating mechanical seal, for a reliable seal against water leakage
- Drain Plug - For easy drainage of pump
- Priming Plug - To facilitate rapid priming
- O-Ring Casing Seal - For positive seal & ease of service
- Brass Wear Ring - Installed in diffuser to maximize hydraulic pump efficiency
- Motor - Single phase capacitor start, 115/230 volt with Higher than Nema service factors
- Stainless Steel motor shaft for corrosion resistance

**NO-LEAD:** The weighted average of the wetted surface of this no-lead product contacted by consumable water contains less than one quarter of one percent (0.25%) lead.



A.Y. McDonald Mfg. Co.  
 P.O. Box 508  
 Dubuque, IA 52004-0508

Toll Free: 1-800-292-2737  
 Fax: 1-800-832-9296  
 Hours: 7:00 a.m. - 5:00 p.m., CST

sales@aymcdonald.com  
 www.aymcdonald.com

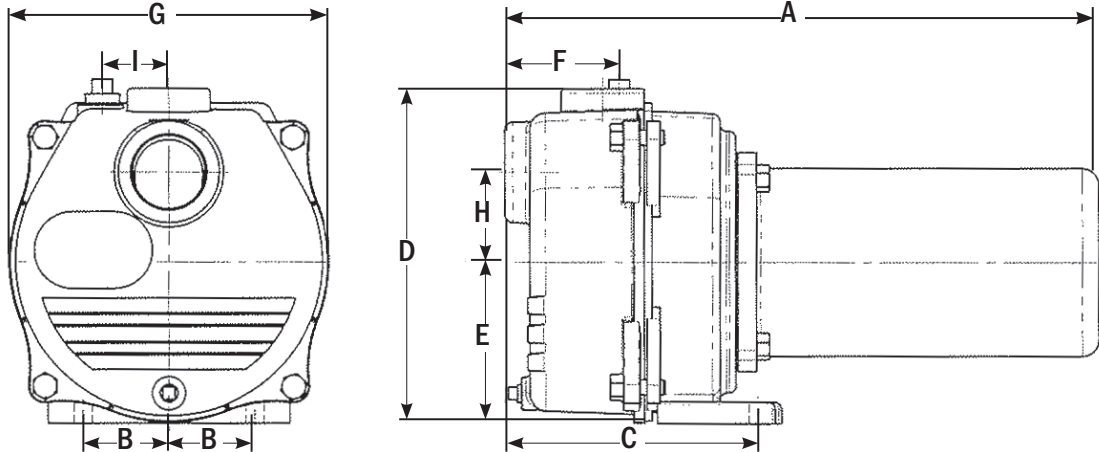
A.Y. McDonald considers the information on this assembly drawing correct when published. Item and option availability, including specifications, are subject to change without notice.

Submitted by:

# SUBMITTAL DATA SHEET

Irrigation & Booster Pumps  
Superbooster | Centrifugal

## 88000 Series - Self-Priming Centrifugal Pumps



### Dimensions

Model	Inches								
	A	B	C	D	E	F	G	H	I
88075	10.88	2.59	7.63	10.03	4.84	2.95	9.63	2.69	2.00
88100	11.88	2.59	7.63	10.03	4.84	2.95	9.63	2.69	2.00
88150	12.63	2.59	7.63	10.03	4.84	2.95	9.63	2.69	2.00
88200	12.65	2.59	7.63	10.03	4.84	2.95	9.63	2.69	2.00

### Performance

Model	HP	Suction Lift - FT.	Capacities in GPM at Discharge Pressure				Max. PSI
			10	20	30	40	
88075	3/4	5	63	52	40	12	45
88100	1	5	72	62	46	20	45
88150	1 1/2	5	90	80	64	40	47
88200	2	5	97	90	74	47	48

### Specifications

Model	HP	Volts	Phase	Impeller Material	Suction NPT	Discharge NPT	SF	Ship WT. (lbs.)
88075	3/4	115/230	1	Noryl	2"	1 1/2"	1.65	64
88100	1	115/230	1	Noryl	2"	1 1/2"	1.65	66
88150	1 1/2	115/230	1	Noryl	2"	1 1/2"	1.47	72
88200	2	230	1	Brass	2"	1 1/2"	1.30	76

NO-LEAD: The weighted average of the wetted surface of this no-lead product contacted by consumable water contains less than one quarter of one percent (0.25%) lead.



A.Y. McDonald Mfg. Co.  
P.O. Box 508  
Dubuque, IA 52004-0508

Toll Free: 1-800-292-2737  
Fax: 1-800-832-9296  
Hours: 7:00 a.m. - 5:00 p.m., CST

sales@aymcdonald.com  
www.aymcdonald.com

A.Y. McDonald considers the information on this assembly drawing correct when published. Item and option availability, including specifications, are subject to change without notice.

Submitted by: