

## 8100 Series - Shallow Well

A.Y. McDonald offers a full line of shallow well and convertible jet pumps built for years of trouble free operation, with high-efficiency impellers and diffusers. The 8100 series shallow well capacity is up to 25 gallons per minute (GPM) and pressures to 80 PSI.

All 8100 Series Shallow Well Pumps come with a 1 1/4" suction pipe and 1" top or side discharge. The sizes range from 1/2 to 1 horse power (HP).

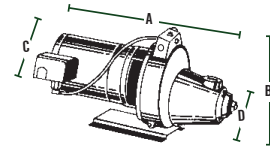
### Features:

- Nema J (Threaded Shaft) Motor 7/16" - 20 Threads
- Pressure switch factory settings:  
 1/2 HP High Capacity = 20-40 PSI  
 1/2 HP High Pressure = 30-50 PSI  
 All 3/4 and 1 HP = 30-50 PSI
- \* Maximum Amp. Draw at factory voltage setting.



### Models Available High Capacity

Model No.	HP	Volt	*Max. Amps	Switch	Impeller	A	B	C	D	WT
8150	1/2	<b>115/230</b>	11.2	20/40	plastic	20"	10"	10.5"	8"	45
8151	1/2	<b>115/230</b>	11.2	20/40	brass	20"	10"	10.5"	8"	46
8170	3/4	<b>230/115</b>	7.4	30/50	plastic	19.5"	10"	10.5"	8"	48
8171	3/4	<b>230/115</b>	7.4	30/50	brass	19.5"	10"	10.5"	8"	50
8110	1	<b>230/115</b>	8.8	30/50	plastic	20"	10"	10.5"	8"	51
8111	1	<b>230/115</b>	8.8	30/50	brass	20"	10"	10.5"	8"	53



Overall Length "A" | Overall Height "B"  
 Overall Width with Pressure Switch "C"  
 Overall Width without Pressure Switch "D"  
 \*See table to left for dimensions.

### High Pressure

Model No.	HP	Volt	*Max. Amps	Switch	Impeller	A	B	C	D	WT
8150HP	1/2	<b>115/230</b>	11.2	30/50	plastic	20"	10"	10.5"	8"	46
8151HP	1/2	<b>115/230</b>	11.2	30/50	brass	20"	10"	10.5"	8"	47
8170HP	3/4	<b>230/115</b>	7.4	30/50	plastic	19.5"	10"	10.5"	8"	49
8171HP	3/4	<b>230/115</b>	7.4	30/50	brass	19.5"	10"	10.5"	8"	49
8110HP	1	<b>230/115</b>	8.8	30/50	plastic	20"	10"	10.5"	8"	52
8111HP	1	<b>230/115</b>	8.8	30/50	brass	20"	10"	10.5"	8"	53

Factory Voltage Setting listed first in bold type.

# 8100 Series - Shallow Well

## High Capacity | Shallow Well

Model No.	HP	Suction Lift - Ft.	Capacities in GPM at Discharge Pressure (PSI)				MAX Shut Off Pressure
			20	30	40	50	
8150	1/2	5	15.6	15.6	8.6	2.3	58
8151		15	11.7	11.7	6.5	1.2	
		25	6.6	6.6	4.7	--	
8170	3/4	5	18.8	18.8	16.2	8.8	64
8171		15	14.4	14.4	12.3	3.9	
		25	8.6	8.6	7.3	2.7	
8110	1	5	24.2	24.0	23.0	15.0	64
8111		15	20.1	18.6	18.4	10.9	
		25	11.6	11.4	11.3	4.7	

## High Pressure | Shallow Well

Model No.	HP	Suction Lift - Ft.	Capacities in GPM at Discharge Pressure (PSI)					MAX Shut Off Pressure
			30	40	50	60	70	
8150HP	1/2	5	7.6	7.1	5.7	2.7		70
8151HP		15	5.5	5.4	4.3	2.0		
		25	3.7	3.6	2.9			
8170HP	3/4	5	9.4	9.4	7.8	4.2		74
8171HP		15	7.0	7.0	5.9	2.9		
		25	4.6	4.6	3.8	2.1		
8110HP	1	5	13.4	13.4	12.7	9.2	3.0	80
8111HP		15	10.0	10.0	9.4	6.5	2.4	
		25	6.2	6.2	6.0	4.3	1.8	

**1 - Zinc Plated Plug**  
(With Pressure Gauge Tap & 1/4" plug)

**2 - Impeller**  
Available in either dynamically balanced bronze or engineered thermoplastic

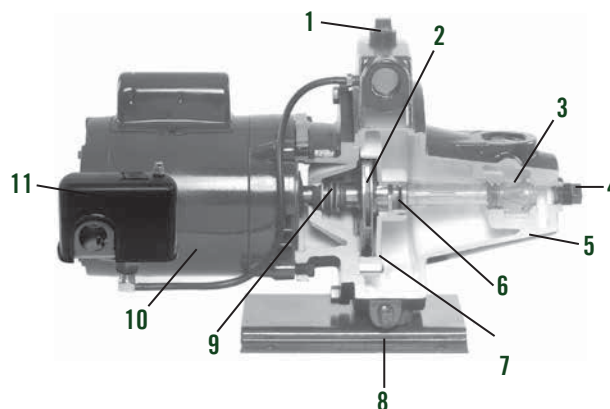
**3 - Nozzle-Venturi (Jet Ejector) Assembly**  
Unitized construction made of non-distorting Polycarbonate with excellent heat resistance

**4 - Zinc Plated Nozzle Clean-out Plug**

**5 - Cast Iron Pump Body & Motor Adapter**

**6 - Buna-N O-ring (On Venturi)**

**7 - Diffuser**  
Multi-volute engineered thermoplastic diffuser for maximum capacity and pressure



**8 - Drain Plug**

**9 - Shaft Seal**  
Standard 5/8" ceramic carbon rotating mechanical seal

**10 - Standard, Capacitor Start, Nema J Motor**  
Built to NEMA specifications by nationally known manufacturers to assure local service availability. Choice of 1/2, 3/4 and 1 H.P. 50 Hz. or 60 Hz.

**11 - Pressure Switch**  
Easily adjusted for higher or lower operating pressures