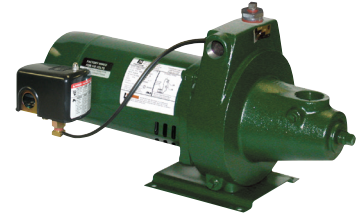


SUBMITTAL DATA SHEET

Jet Pumps
Convertible | Shallow Well

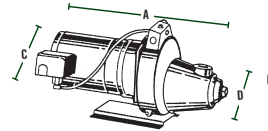
8500 Series - Shallow Well



All 8500 Series Shallow Well Pumps come with a 1 1/4" suction pipe and 1" top or side discharge. The sizes range from 1/3 to 1 horsepower (HP).

Models Available High Capacity

Model No.	HP	Volt	*Max. Amps	Impeller	A	B	C	D	WT
8530	1/3	115/230	10.6	plastic	19.5"	10"	10.5"	8"	38
8531	1/3	115/230	10.6	brass	19.5"	10"	10.5"	8"	40
8550	1/2	115/230	12.0	plastic	20"	10"	10.5"	8"	43
8551	1/2	115/230	12.0	brass	20"	10"	10.5"	8"	44
8570	3/4	230/115	7.6	plastic	20.2"	10"	10.5"	8"	43
8571	3/4	230/115	7.6	brass	20.2"	10"	10.5"	8"	45
8510	1	230/115	9.2	plastic	20.6"	10"	10.5"	8"	45
8511	1	230/115	9.2	brass	20.6"	10"	10.5"	8"	47

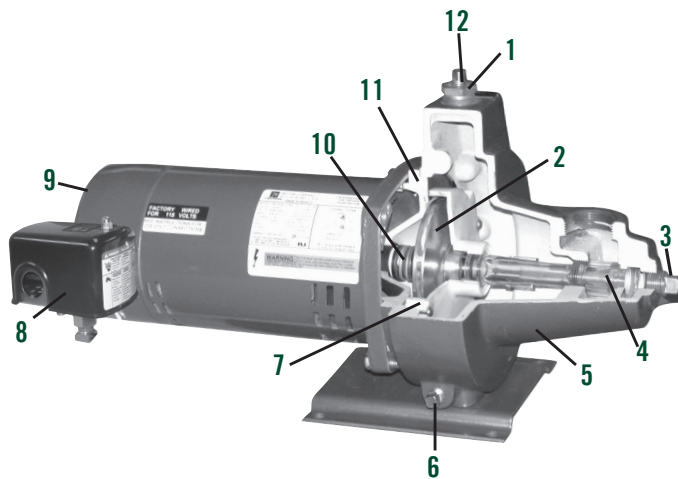


Overall Length "A"
Overall Height "B"
Overall Width with Pressure Switch "C"
Overall Width without Pressure Switch "D"
*See table to left for dimensions.

High Pressure

Model No.	HP	Volt	*Max. Amps	Impeller	A	B	C	D	WT
8530HP	1/3	115/230	10.6	plastic	19.5"	10"	10.5"	8"	41
8531HP	1/3	115/230	10.6	brass	19.5"	10"	10.5"	8"	42
8550HP	1/2	115/230	12.0	plastic	20"	10"	10.5"	8"	44
8551HP	1/2	115/230	12.0	brass	20"	10"	10.5"	8"	42
8570HP	3/4	230/115	7.6	plastic	20.2"	10"	10.5"	8"	44
8571HP	3/4	230/115	7.6	brass	20.2"	10"	10.5"	8"	44
8510HP	1	230/115	9.2	plastic	20.6"	10"	10.5"	8"	45
8511HP	1	230/115	9.2	brass	20.6"	10"	10.5"	8"	47

Factory Voltage Setting listed first in bold type.



- 1 - Zinc Plated Plug
(With Pressure Gauge Tap and 1/4" plug in side discharge, see picture above)
- 2 - Impeller
Available in engineered polycarbonate thermoplastic
- 3 - Zinc Plated Nozzle Cleanout Plug
- 4 - Nozzle-Venturi (jet Ejector) Assembly
Unitized construction made of non-distorting Polycarbonate with excellent heat resistance
- 5 - Cast Iron Pump Body
- 6 - Drain Plug
- 7 - Diffuser
Multi-volute engineered thermoplastic diffuser for maximum capacity and pressure
- 8 - Pressure Switch
Easily adjusted for higher or lower operating pressures
- 9 - High Service Factor, Capacitor Start, Threaded Shaft, Square Flange Motor
Built to specifications by nationally known manufacturers to assure local service availability. Choice of 1/3, 1/2, 3/4 and 1 H.P. 50 Hz. or 60 Hz.
- 10 - Shaft Seal
Standard 5/8" ceramic carbon rotating mechanical seal
- 11 - Thermoplastic Seal / Condensation Plate
Provides air gap between motor and water chamber
- 12 - Discharge
1" Top or 3/4" Side discharge

SUBMITTAL INFORMATION

- Pressure switch factory settings:
1/3 and 1/2 HP High Capacity = 20-40 PSI
1/3 and 1/2 HP High Pressure = 30-50 PSI
All 3/4 and 1 HP = 30-50 PSI
- Square Flange Motor 7/16" - 20 Threads
- * Maximum Amp. Draw at factory voltage setting.

NO-LEAD: The weighted average of the wetted surface of this no-lead product contacted by consumable water contains less than one quarter of one percent (0.25%) lead.



A.Y. McDonald Mfg. Co.
P.O. Box 508
Dubuque, IA 52004-0508

Toll Free: 1-800-292-2737
Fax: 1-800-832-9296
Hours: 7:00 a.m. - 5:00 p.m., CST

sales@aymcdonald.com
www.aymcdonald.com

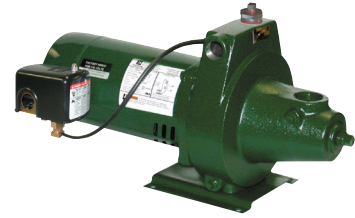
A.Y. McDonald considers the information on this assembly drawing correct when published. Item and option availability, including specifications, are subject to change without notice.

Submitted by:

SUBMITTAL DATA SHEET

Jet Pumps
Convertible | Shallow Well

8500 Series - Shallow Well



All 8500 Series Shallow Well Pumps come with a 1 1/4" suction pipe and 1" top or side discharge. The sizes range from 1/3 to 1 horsepower (HP).

8500 Series - High Capacity | Shallow Well

Model No.	HP	Suction Lift - Ft.	Capacities in GPM at Discharge Pressure (PSI)				MAX Shut Off Pressure
			20	30	40	50	
8530 8531	1/3	5	12.6	12.6	7.4	2.5	57
		15	10.0	10.0	6.0	1.3	
		25	5.8	5.8	2.7	--	
8550 8551	1/2	5	15.6	15.6	8.6	2.3	58
		15	11.7	11.7	6.5	1.2	
		25	6.6	6.6	4.7	--	
8570 8571	3/4	5	18.8	18.8	16.2	8.8	61
		15	14.4	14.4	12.3	3.9	
		25	8.6	8.6	7.3	2.7	
8510 8511	1	5	24.2	24.0	23.0	15	64
		15	20.1	18.6	18.4	10.9	
		25	11.6	11.4	11.3	4.7	

8500 Series - High Pressure | Shallow Well

Model No.	HP	Suction Lift - Ft.	Capacities in GPM at Discharge Pressure (PSI)					MAX Shut Off Pressure
			30	40	50	60	70	
8530HP 8531HP	1/3	5	6.7	6.1	4.3	2.3		70
		15	4.8	4.6	3.3	1.1		
		25	3.0	2.9	2.1			
8550HP 8551HP	1/2	5	7.6	7.1	5.7	2.7		74
		15	5.5	5.4	4.3	2.0		
		25	3.7	3.6	2.9			
8570HP 8571HP	3/4	5	9.4	9.4	7.8	4.2		75
		15	7.0	7.0	5.9	2.9		
		25	4.6	4.6	3.8	2.1		
8510HP 8511HP	1	5	13.4	13.4	12.7	9.2	3.0	80
		15	10.0	10.0	9.4	6.5	2.4	
		25	6.2	6.2	6.0	4.3	1.8	

NO-LEAD: The weighted average of the wetted surface of this no-lead product contacted by consumable water contains less than one quarter of one percent (0.25%) lead.



A.Y. McDonald Mfg. Co.
P.O. Box 508
Dubuque, IA 52004-0508

Toll Free: 1-800-292-2737
Fax: 1-800-832-9296
Hours: 7:00 a.m. - 5:00 p.m., CST

sales@aymcdonald.com
www.aymcdonald.com

A.Y. McDonald considers the information on this assembly drawing correct when published. Item and option availability, including specifications, are subject to change without notice.

Submitted by: