

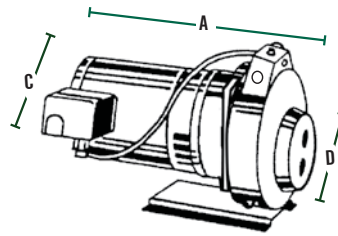
8600 Series - Convertible

A.Y. McDonald offers a full line of shallow well and convertible jet pumps built for years of trouble free operation, with high-efficiency impellers and diffusers. With appropriate jet ejector the 8600 series convertible capacity is up to 65 gallons per minute (GPM) and pressures to 80 PSI.

All 8600 Series Convertible Pumps come with a 1 1/4" suction pipe and 1" top or side discharge. The sizes range from 1/3 to 1 horse power (HP).

Features:

- Square Flange Motor 7/16" - 20 Threads
- Deep Well performance to 120 feet to water
- Pressure switch factory settings:
1/3 and 1/2 HP = 20-40 PSI
3/4 and 1 HP = 30-50 PSI
- Two pipe tapping 1" x 1 1/4"
- * Maximum Amp. Draw at factory voltage setting.



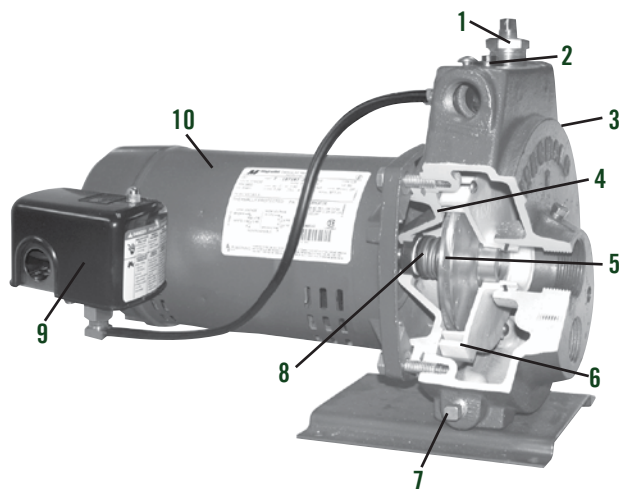
Overall Length "A"
Overall Height "B"
Overall Width with Pressure Switch "C"
Overall Width without Pressure Switch "D"
*See table to left for dimensions.

Models Available

Model No.	HP	Volt	*Max. Amps	Impeller	A	B	C	D	WT
8630	1/3	115/230	10.6	plastic	15.2"	10"	10.5"	8"	35
8631	1/3	115/230	10.6	brass	15.2"	10"	10.5"	8"	36
8650	1/2	115/230	12.0	plastic	15.5"	10"	10.5"	8"	37
8651	1/2	115/230	12.0	brass	15.5"	10"	10.5"	8"	38
8670	3/4	230/115	7.6	plastic	15.9"	10"	10.5"	8"	39
8671	3/4	230/115	7.6	brass	15.9"	10"	10.5"	8"	40
8610	1	230/115	9.2	plastic	16.2"	10"	10.5"	8"	42
8611	1	230/115	9.2	brass	16.2"	10"	10.5"	8"	44

*Factory Voltage Setting listed first in bold type.

- Optional jet ejectors: High Capacity and High Pressure



1 - Zinc Plated Plug
(With Pressure Gauge Tap and 1/4" plug)

2 - Internal Regulating Valve
(Manual adjustment for deep well only)

3 - Cast Iron Pump Body

4 - Seal / Condensation Plate
Provides air gap between motor and water chamber

5 - Impeller
Available in engineered polycarbonate thermoplastic

6 - Diffuser
Multi-volute engineered thermoplastic diffuser for maximum capacity and pressure

7 - Drain Plug

8 - Shaft Seal
Standard 5/8" ceramic carbon rotating mechanical seal

9 - Pressure Switch
Easily adjusted for higher or lower operating pressures

10 - High Service Factor, Capacitor Start, Threaded Shaft, Square Flange Motor
Built to NEMA specifications by nationally known manufacturers to assure local service availability. Choice of 1/3, 1/2, 3/4 and 1 H.P. 50 Hz. or 60 Hz.

8600 Series - Convertible

8600 Series - Convertible | Shallow Well Performance

Model No.	HP	Jet Ejector*	Suction Lift - Ft.	Capacities in GPM at Discharge Pressure (PSI)						MAX Shut Off Pressure
				20	30	40	50	60	70	
8630 8631	1/3	650-JP Hi-Capacity	5	12.6	12.6	7.4	2.5			57
			15	10.0	10.0	6.0	1.3			
			25	5.8	5.8	2.0				
		654-JP Hi-Pressure	5	6.8	6.8	6.1	4.3	2.3		70
			15	4.8	4.8	4.6	3.3	1.1		
			25	3.0	3.0	2.9	2.1			
8650 8651	1/2	651-JP Hi-Capacity	5	15.6	15.6	8.6	2.3			58
			15	11.7	11.7	6.5	1.2			
			25	6.6	6.6	4.7				
		655-JP Hi-Pressure	5	7.6	7.6	7.1	5.7	2.7		74
			15	5.5	5.5	5.4	4.3	2.0		
			25	3.7	3.7	3.6	2.9			
8670 8671	3/4	652-JP Hi-Capacity	5	18.8	18.8	16.2	8.8			61
			15	14.4	14.4	12.3	3.9			
			25	8.6	8.6	7.3	2.7			
		656-JP Hi-Pressure	5	9.7	9.4	9.4	7.8	4.2		75
			15	7.1	7.0	7.0	5.9	2.9		
			25	4.7	4.6	4.6	3.8	2.1		
8610 8611	1	653-JP Hi-Capacity	5	24.2	24.0	23.0	15.0			64
			15	20.1	18.6	18.4	10.9			
			25	11.6	11.4	11.3	4.7			
		657-JP Hi-Pressure	5	13.3	13.3	13.3	12.7	9.2	3.0	80
			15	10.0	10.0	10.0	9.4	6.5	2.4	
			25	6.2	6.2	6.2	6.0	4.3	1.8	

Shallow Well Performance without Jet Ejector

Model No.	HP	Jet Ejector*	Suction Lift - Ft.	Capacities in GPM at Discharge Pressure (PSI)						MAX Shut Off Pressure
				10	15	20	25	30	35	
8630	1/3	Without	10	45	41.5	30	15			26
8631		Jet	20	40	31	20				
8650	1/2	Without	10	49.5	47	39.5	25	11		34
8651		Jet	20	45	40.5	28	11.5			
8670	3/4	Without	10	60	58	56	51.5	40		38
8671		Jet	20	52	52	50	41	19		
8610	1	Without	10	65	63	61	57	50	41.5	42
8611		Jet	20	64	53.5	52	48	41	26	

8600 Series - Convertible | Deep Well Performance at 20 PSI | For 20-40 PSI Pressure Switch Setting

Model No.	HP	Well Casing Size	Jet Ejector*	Deep Well Capacities in GPM - At Depth to Water in Feet									
				30	40	50	60	70	80	90	100	110	120
8630 8631	1/3	4"	7502-JP	9.8	8.0	6.2							
			7503-JP		6.9	5.7	4.3	3.3					
			7733-JP	8.8	7.2	5.6							
			7734-JP		6.2	5.1	3.8	3.0					
8650 8651	1/2	4"	7508-JP	12.7	10.5	8.8							
			7509-JP		9.3	8.1	6.3	5.0	4.0				
			7735-JP	11.3	9.4	7.9							
			7736-JP		8.3	7.3	5.7	4.6					
8670 8671	3/4	4"	7901-JP	16.1	13.0	9.6							
			7906-JP			9.9	8.4	6.5	5.1				
			7907-JP						4.7	3.9	3.3	2.5	
			7808-JP	14.3	11.6	8.5							
			7812-JP			8.9	7.5	5.8	4.6				
			7813-JP						4.2	3.6	2.9	2.2	
8610 8611	1	4"	7901-JP	16.8	14.3	11.9							
			7902-JP			11.8	9.9	8.1	6.3				
			7903-JP						5.5	4.8	4.3	3.5	2.8
			7808-JP	15.0	12.9	10.7							
			7809-JP			10.4	8.8	7.2	5.6				
		2"	7810-JP						4.8	4.2	3.8	3.1	2.6

*Jet Ejectors must be ordered separately