

SUBMITTAL DATA SHEET

Jet Pumps
Convertible | Shallow Well

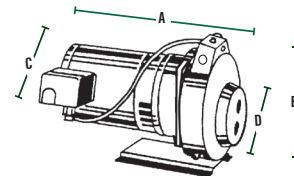
8600 Series - Convertible



All 8600 Series Convertible Pumps come with a 1 1/4" suction pipe and 1" top or side discharge. The sizes range from 1/3 to 1 horsepower (HP).

Models Available

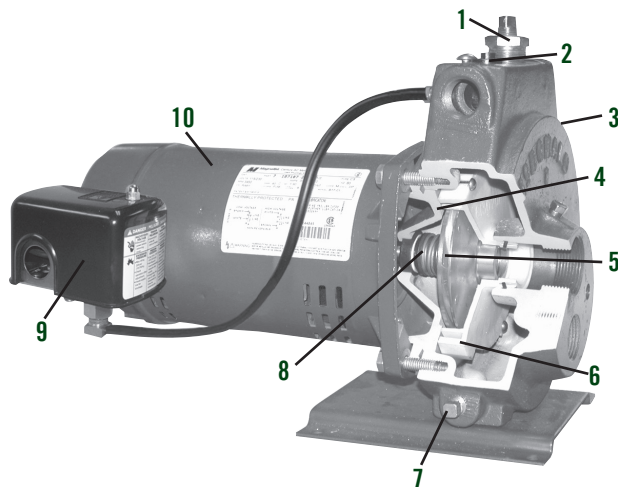
Model No.	HP	Volt	*Max. Amps	Impeller	A	B	C	D	WT
8630	1/3	115/230	10.6	plastic	15.2"	10"	10.5"	8"	35
8631	1/3	115/230	10.6	brass	15.2"	10"	10.5"	8"	36
8650	1/2	115/230	12.0	plastic	15.5"	10"	10.5"	8"	37
8651	1/2	115/230	12.0	brass	15.5"	10"	10.5"	8"	38
8670	3/4	230/115	7.6	plastic	15.9"	10"	10.5"	8"	39
8671	3/4	230/115	7.6	brass	15.9"	10"	10.5"	8"	40
8610	1	230/115	9.2	plastic	16.2"	10"	10.5"	8"	42
8611	1	230/115	9.2	brass	16.2"	10"	10.5"	8"	44



Overall Length "A"
Overall Height "B"
Overall Width with Pressure Switch "C"
Overall Width without Pressure Switch "D"
*See table to left for dimensions.

*Factory Voltage Setting listed first in bold type.

- Optional jet ejectors: High Capacity and High Pressure



- 1 - Zinc Plated Plug
(With Pressure Gauge Tap and 1/4" plug)
- 2 - Internal Regulating Valve
(Manual adjustment for deep well only)
- 3 - Cast Iron Pump Body
- 4 - Seal / Condensation Plate
Provides air gap between motor and water chamber
- 5 - Impeller
Available in engineered polycarbonate thermoplastic
- 6 - Diffuser
Multi-volute engineered thermoplastic diffuser for maximum capacity and pressure
- 7 - Drain Plug
- 8 - Shaft Seal
Standard 5/8" ceramic carbon rotating mechanical seal
- 9 - Pressure Switch
Easily adjusted for higher or lower operating pressures
- 10 - High Service Factor, Capacitor Start, Threaded Shaft, Square Flange Motor
Built to NEMA specifications by nationally known manufacturers to assure local service availability. Choice of 1/3, 1/2, 3/4 and 1 H.P. 50 Hz. or 60 Hz.

SUBMITTAL INFORMATION

- Square Flange Motor 7/16" - 20 Threads
- Pressure switch factory settings:
1/3 and 1/2 HP = 20-40 PSI
3/4 and 1 HP = 30-50 PSI
- Deep Well performance to 120 feet to water
- Two pipe tapping 1" x 1 1/4"
- * Maximum Amp. Draw at factory voltage setting.

NO-LEAD: The weighted average of the wetted surface of this no-lead product contacted by consumable water contains less than one quarter of one percent (0.25%) lead.



A.Y. McDonald Mfg. Co.
P.O. Box 508
Dubuque, IA 52004-0508

Toll Free: 1-800-292-2737
Fax: 1-800-832-9296
Hours: 7:00 a.m. - 5:00 p.m., CST

sales@aymcdonald.com
www.aymcdonald.com

A.Y. McDonald considers the information on this assembly drawing correct when published. Item and option availability, including specifications, are subject to change without notice.

Submitted by:

SUBMITTAL DATA SHEET

Jet Pumps
Convertible | Shallow Well

8600 Series - Convertible



8600 Series - Convertible | Shallow Well Performance

Model No.	HP	Jet Ejector*	Suction Lift - Ft.	Capacities in GPM at Discharge Pressure (PSI)						MAX Shut Off Pressure
				20	30	40	50	60	70	
8630 8631	1/3	650-JP Hi-Capacity	5	12.6	12.6	7.4	2.5			57
			15	10.0	10.0	6.0	1.3			
			25	5.8	5.8	2.0				
		654-JP Hi-Pressure	5	6.8	6.8	6.1	4.3	2.3		70
			15	4.8	4.8	4.6	3.3	1.1		
			25	3.0	3.0	2.9	2.1			
8650 8651	1/2	651-JP Hi-Capacity	5	15.6	15.6	8.6	2.3			58
			15	11.7	11.7	6.5	1.2			
			25	6.6	6.6	4.7				
		655-JP Hi-Pressure	5	7.6	7.6	7.1	5.7	2.7		74
			15	5.5	5.5	5.4	4.3	2.0		
			25	3.7	3.7	3.6	2.9			
8670 8671	3/4	652-JP Hi-Capacity	5	18.8	18.8	16.2	8.8			61
			15	14.4	14.4	12.3	3.9			
			25	8.6	8.6	7.3	2.7			
		656-JP Hi-Pressure	5	9.7	9.4	9.4	7.8	4.2		75
			15	7.1	7.0	7.0	5.9	2.9		
			25	4.7	4.6	4.6	3.8	2.1		
8610 8611	1	653-JP Hi-Capacity	5	24.2	24.0	23.0	15.0			64
			15	20.1	18.6	18.4	10.9			
			25	11.6	11.4	11.3	4.7			
		657-JP Hi-Pressure	5	13.3	13.3	13.3	12.7	9.2	3.0	80
			15	10.0	10.0	10.0	9.4	6.5	2.4	
			25	6.2	6.2	6.2	6.0	4.3	1.8	

Shallow Well Performance without Jet Ejector

Model No.	HP	Jet Ejector*	Suction Lift - Ft.	10	15	20	25	30	35	MAX Shut Off Pressure
				10	15	20	25	30	35	
8630 8631	1/3	Without Jet	10	45	41.5	30	15			26
			20	40	31	20				
8650 8651	1/2	Without Jet	10	49.5	47	39.5	25	11		34
			20	45	40.5	28	11.5			
8670 8671	3/4	Without Jet	10	60	58	56	51.5	40		38
			20	52	52	50	41	19		
8610 8611	1	Without Jet	10	65	63	61	57	50	41.5	42
			20	64	53.5	52	48	41	26	

8600 Series - Convertible | Deep Well Performance at 20 PSI | For 20-40 PSI Pressure Switch Setting *Jet Ejectors must be ordered separately

Model No.	HP	Well Casing Size	Jet Ejector*	Performance at 20 PSI									
				30	40	50	60	70	80	90	100	110	120
8630 8631	1/3	4"	7502-JP	9.8	8.0	6.2							
		4"	7503-JP		6.9	5.7	4.3	3.3					
		2"	7733-JP	8.8	7.2	5.6							
		2"	7734-JP		6.2	5.1	3.8	3.0					
8650 8651	1/2	4"	7508-JP	12.7	10.5	8.8							
		4"	7509-JP		9.3	8.1	6.3	5.0	4.0				
		2"	7735-JP	11.3	9.4	7.9							
		2"	7736-JP		8.3	7.3	5.7	4.6					
8670 8671	3/4	4"	7901-JP	16.1	13.0	9.6							
		4"	7906-JP			9.9	8.4	6.5	5.1				
		4"	7907-JP						4.7	3.9	3.3	2.5	
		2"	7808-JP	14.3	11.6	8.5							
		2"	7812-JP			8.9	7.5	5.8	4.6				
		2"	7813-JP						4.2	3.6	2.9	2.2	
8610 8611	1	4"	7901-JP	16.8	14.3	11.9							
		4"	7902-JP			11.8	9.9	8.1	6.3				
		4"	7903-JP						5.5	4.8	4.3	3.5	2.8
		2"	7808-JP	15.0	12.9	10.7							
		2"	7809-JP			10.4	8.8	7.2	5.6				
		2"	7810-JP						4.8	4.2	3.8	3.1	2.6

NO-LEAD: The weighted average of the wetted surface of this no-lead product contacted by consumable water contains less than one quarter of one percent (0.25%) lead.



A.Y. McDonald Mfg. Co.
P.O. Box 508
Dubuque, IA 52004-0508

Toll Free: 1-800-292-2737
Fax: 1-800-832-9296
Hours: 7:00 a.m. - 5:00 p.m., CST

sales@aymcdonald.com
www.aymcdonald.com

A.Y. McDonald considers the information on this assembly drawing correct when published. Item and option availability, including specifications, are subject to change without notice.

Submitted by: