

# SUBMITTAL DATA SHEET

DuraMAC™ Booster Pumps

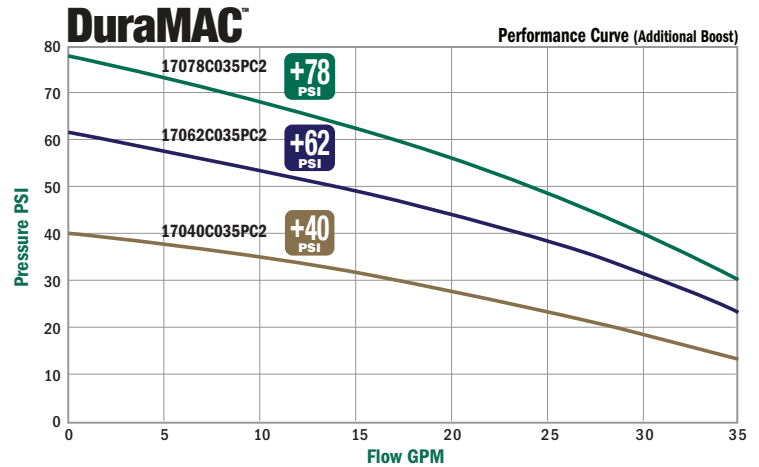
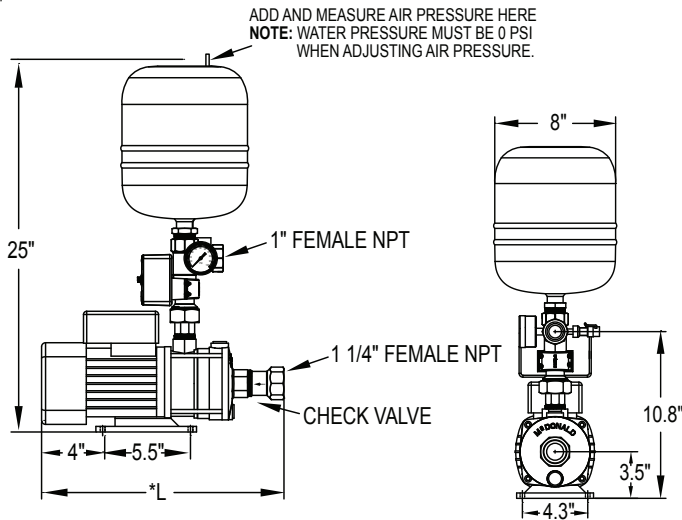
Residential | Light Commercial | Irrigation

## DuraMAC™ - Light Commercial & Irrigation



See Pumps & Accessories Price List for Limited Warranty details.

Not all boosting applications require complicated boosting systems. The DuraMAC™ Boosting system is simple, versatile, sophisticated, and reliable. Quite simply, it is the world's most versatile boosting system for residential use.



### 35 Gallon / Minute (GPM) Max

DuraMAC™ Model	Pump Boost	Amps	Length "L"	Voltage	Power	*Pressure Reducing Valve Recommended for installation with incoming pressure greater than:	Wt.
17040C035PC2	40 PSI	5.0	15.43"	230 - 60 Hz	1 HP	40 PSI	38
17062C035PC2	62 PSI	6.3	16.49"	230 - 60 Hz	1 HP	18 PSI	41
17078C035PC2	78 PSI	6.8	17.55"	230 - 60 Hz	1 1/2 HP	2 PSI (for use with holding tank)	35

\*Many plumbing codes do not recommend system pressure exceeding 80 PSI. Refer to local plumbing codes for maximum boosted pressure.

### SUBMITTAL INFORMATION

- Water pressure boosting system for irrigation or light commercial use
- Easy set-up installation
- Digital control for three modes of operation
- Durable stainless steel and no-lead brass connections
- Two gallon pressure tank included
- TEFC single phase motor for quiet operation
- Electronics separated and sealed from waterway
- Pressure gauge included
- No-Lead brass check valve included
- Dry-Run protection

NO-LEAD: The weighted average of the wetted surface of this no-lead product contacted by consumable water contains less than one quarter of one percent (0.25%) lead.



**A.Y. McDonald Mfg. Co.**  
P.O. Box 508  
Dubuque, IA 52004-0508

**Toll Free: 1-800-292-2737**  
**Fax: 1-800-832-9296**  
**Hours: 7:00 a.m. - 5:00 p.m., CST**

sales@aymcdonald.com  
www.aymcdonald.com

A.Y. McDonald considers the information on this assembly drawing correct when published. Item and option availability, including specifications, are subject to change without notice.

Submitted by:

# SUBMITTAL DATA SHEET

## DuraMAC™ Booster Pumps Residential | Light Commercial | Irrigation **DuraMAC™ - Light Commercial & Irrigation**



See Pumps & Accessories Price List for Limited Warranty details.

### Sizing Information

DuraMAC™ Booster Systems are designed to shut off when no flow is detected. Pump pressure boost should be added to current system pressure to determine total system pressure when boosted.

**Example:**

Household system pressure before boost = 30 PSI

$$\begin{array}{c} \mathbf{30} \\ \text{Household} \\ \text{Pressure} \end{array} + \begin{array}{c} \text{Total Pump} \\ \text{Pressure} \end{array} = \begin{array}{c} \text{Total Pressure} \\ \text{After Boost} \end{array} \quad \text{*Not Recommended to Exceed 80 PSI}$$

**Models Available:**

17040C035PC2	+40
17062C035PC2	+62
17078C035PC2	+78

$$\begin{array}{c} \mathbf{30} \\ \text{Household} \\ \text{Pressure} \end{array} + \begin{array}{c} \mathbf{40} \\ \text{Total Pump} \\ \text{Pressure} \end{array} = \begin{array}{c} \mathbf{70} \\ \text{Total Pressure} \\ \text{After Boost} \end{array}$$

Based on this example, the recommended model for this application is the 17040C035PC2.

For systems with fluctuating pressure, a pressure reducing valve is recommended to assure system pressure stays below 80 PSI.

### Sizing Chart

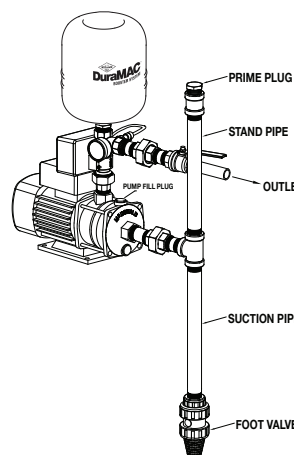
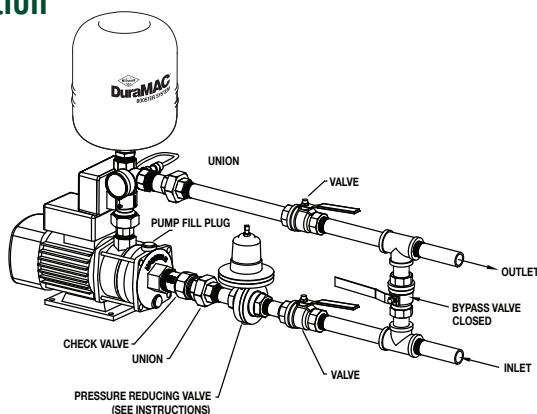
Total static pressure DuraMAC™ pump

Incoming Pressure (PSI)	17040C035PC2 <b>+40 PSI</b>	17062C035PC2 <b>+62 PSI</b>	17078C035PC2 <b>+78 PSI</b>
60			
55			
50	90		
45	85		
40	80		
35	75		
30	70		
25	65	87	
20	60	82	
15	55	77	93
10	50	72	88

### Materials of Construction

- Impellers 304 Stainless Steel
- Pump Casing Inlet 301 Stainless Steel
- Pump Casing Outlet 301 Stainless Steel
- Pump Seal (stationary) Silicon Carbide
- Pump Seal (rotating) Carbon / NBR
- Diffuser 304 Stainless Steel
- Check Valve No-Lead Brass
- Pump Controller Cross No-Lead Brass

### Typical Installation



**NO-LEAD:** The weighted average of the wetted surface of this no-lead product contacted by consumable water contains less than one quarter of one percent (0.25%) lead.



**A.Y. McDonald Mfg. Co.**  
P.O. Box 508  
Dubuque, IA 52004-0508

**Toll Free:** 1-800-292-2737  
**Fax:** 1-800-832-9296  
**Hours:** 7:00 a.m. - 5:00 p.m., CST

sales@aymcdonald.com  
www.aymcdonald.com

A.Y. McDonald considers the information on this assembly drawing correct when published. Item and option availability, including specifications, are subject to change without notice.

**Submitted by:**