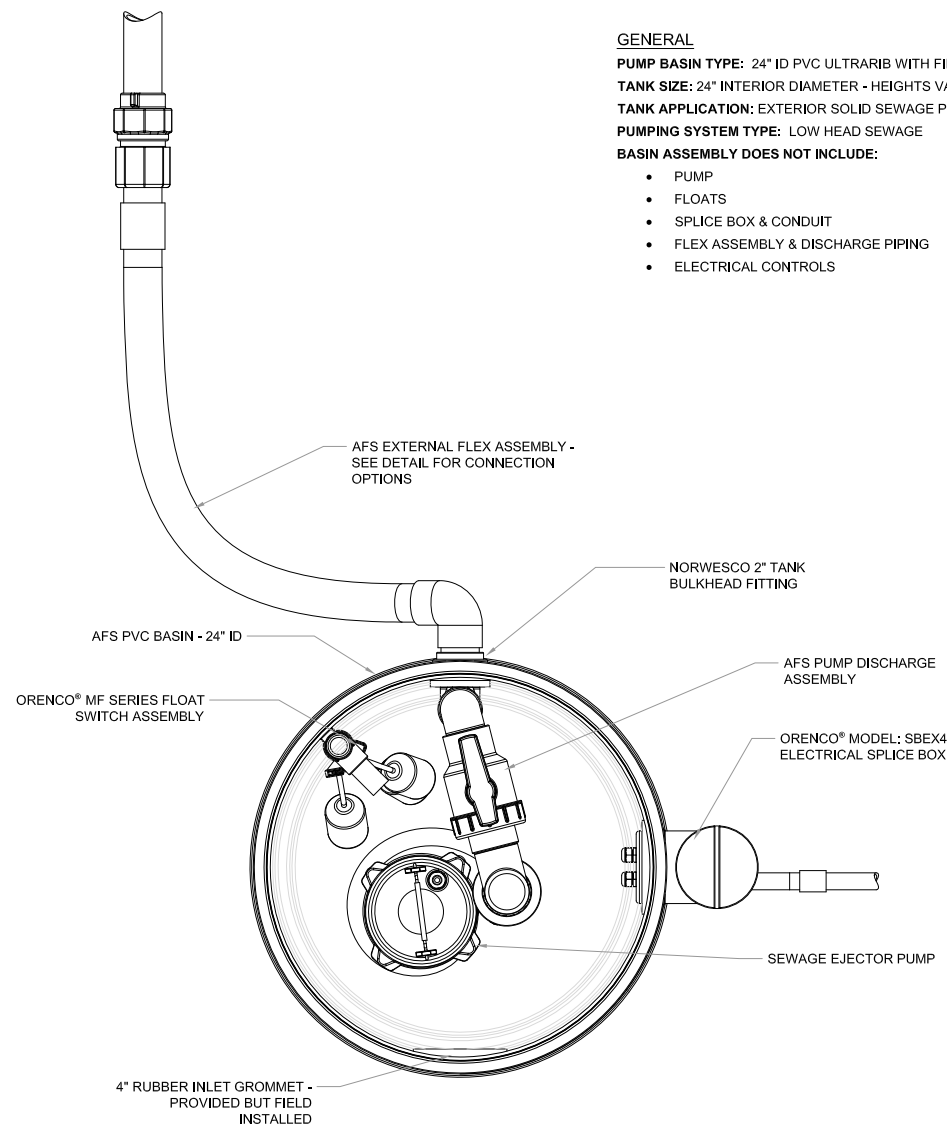


SYSTEM DESCRIPTION

GENERAL

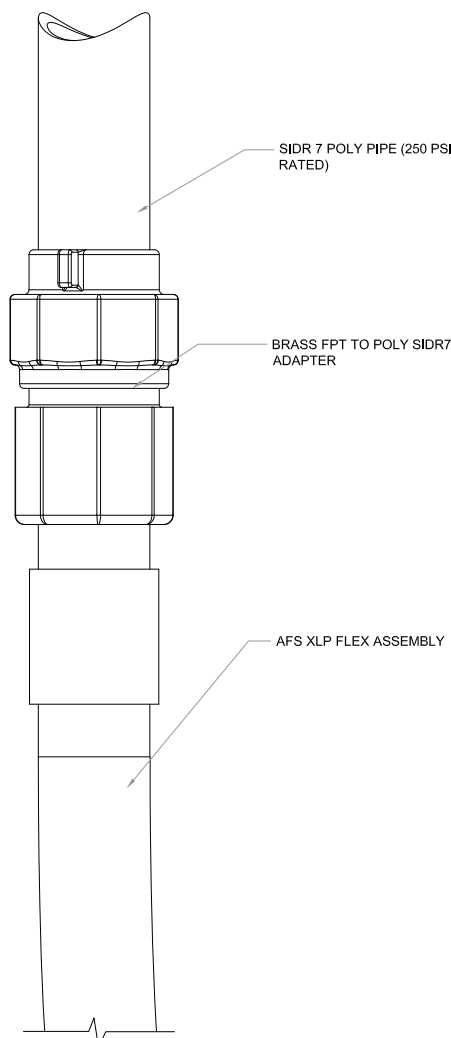
PUMP BASIN TYPE: 24" ID PVC ULTRARIB WITH FIBERGLASS LID & EPOXY BONDED BOTTOM
TANK SIZE: 24" INTERIOR DIAMETER - HEIGHTS VARY DEPENDING ON APPLICATION
TANK APPLICATION: EXTERIOR SOLID SEWAGE PUMPING SYSTEM
PUMPING SYSTEM TYPE: LOW HEAD SEWAGE
BASIN ASSEMBLY DOES NOT INCLUDE:

- PUMP
- FLOATS
- SPLICE BOX & CONDUIT
- FLEX ASSEMBLY & DISCHARGE PIPING
- ELECTRICAL CONTROLS



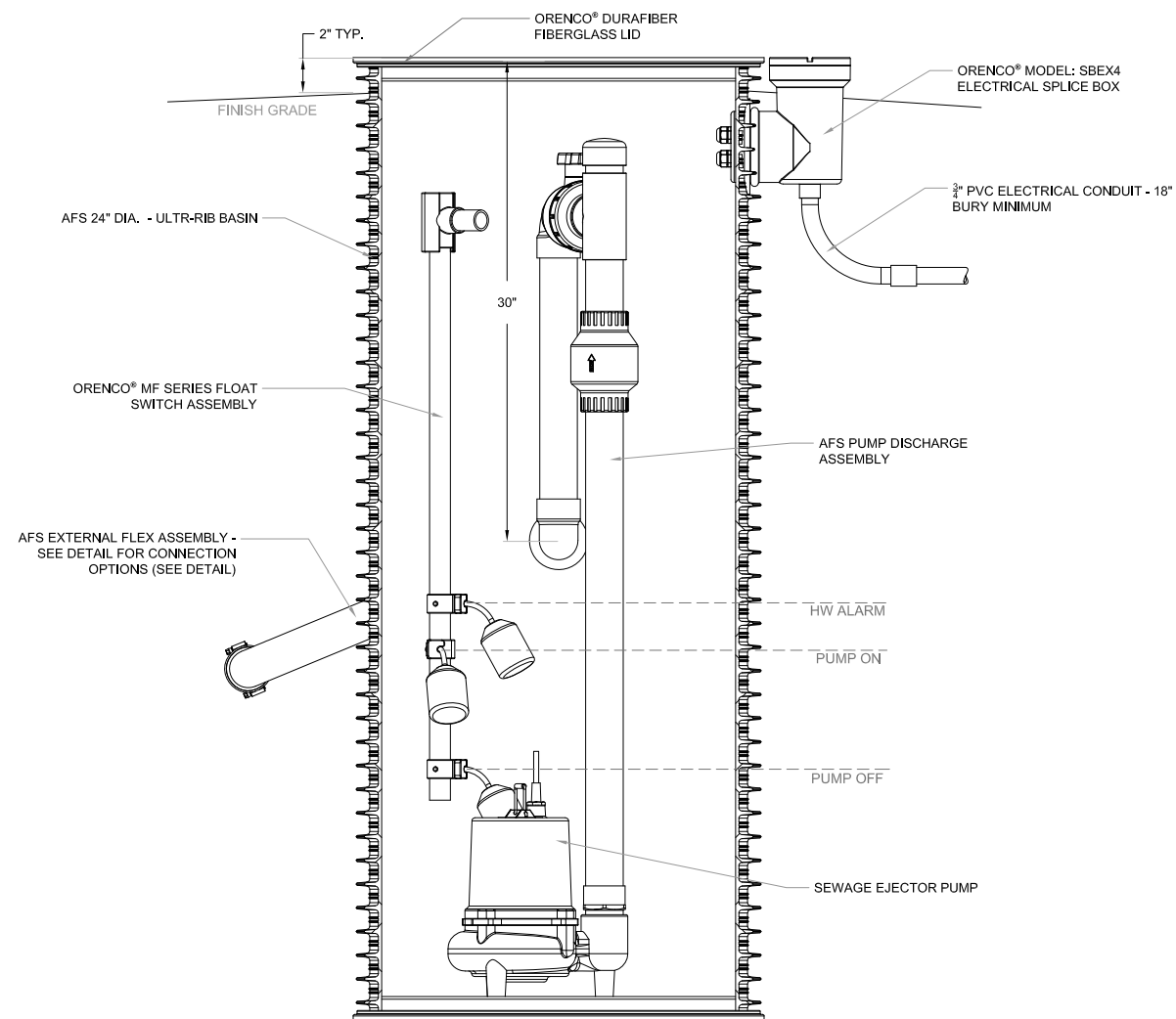
AFS 24" PUMP BASIN - PLAN VIEW
 SCALE: 1" = 1'

1
 PB1.0



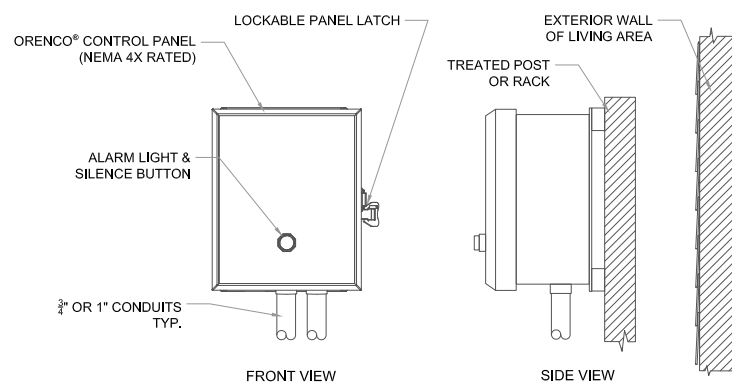
TRANSPORT LINE CONNECTION DETAIL
 SCALE: NTS

2
 PB1.0



AFS 24" PUMP BASIN - PROFILE VIEW
 SCALE: 1" = 1'

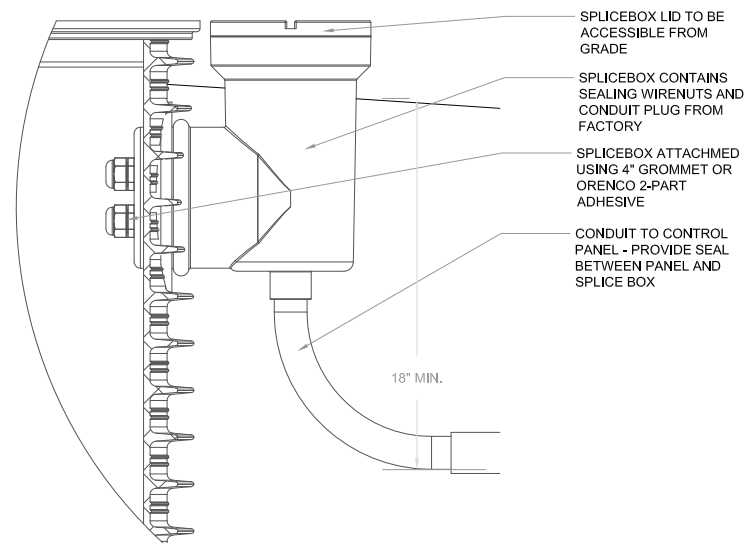
3
 PB1.0



CONTROL PANEL DETAIL
 SCALE: 1" = 2'

4
 PB1.0

- PANEL MOUNTING AND CIRCUIT REQUIREMENTS:**
- PANEL MUST BE MOUNTED WITHIN 50' & VISUAL SIGHT OF PUMP EQUIPMENT ACCESS COVER
 - IF MOUNTED ON AN EXTERIOR WALL, AVOID LIVING AREAS DUE TO CONTACTOR "THUMPING" HEARD IN THE INTERIOR OF THE HOME
 - USE DETAIL AT LEFT FOR ALTERNATIVE MOUNTING
 - SINGLE PUMP PANELS REQUIRE: 2 - 20 AMP, 120 VOLT DESIGNATED CIRCUITS FOR 115 VOLT SYSTEMS, OR 1 - 20 AMP, 240 VOLT DESIGNATED CIRCUIT, AND 1 - 20 AMP, 120 VOLT DESIGNATED CIRCUIT FOR 230 VOLT SYSTEMS
 - DUAL PUMP PANELS REQUIRE: 3 - 20 AMP, 120 VOLT DESIGNATED CIRCUITS FOR 120 VOLT SYSTEMS, OR 2 - 20 AMP, 240 VOLT DESIGNATED CIRCUIT, AND 1 - 20 AMP, 120 VOLT DESIGNATED CIRCUIT FOR 230 VOLT SYSTEMS
 - 1 - CAT5 OR CAT6 FOR PHONE OR ETHERNET (VERICOMM PANELS ONLY)
 - 5' OF ADDITIONAL CIRCUIT WIRE REQUIRED AT THE PANEL LOCATION



ELECTRICAL SPLICE BOX DETAIL
 SCALE: NTS

5
 PB1.0

AFSPBA2460 EJECTOR PUMP BASIN ASSEMBLY

PB1.0	DWG NO.	DATE	SCALE	DRAWN BY	CHECKED BY
10/05/15			NTS	RJK, ACW	SAJ

AFS
 AUTOMATED FLOW SYSTEMSSM

625 BEST AVE
 COEUR D'ALENE, ID 83814
 PHONE 208.664.2133

4444 S YELLOWSTONE HWY
 IDAHO FALLS, ID 83402
 208.529.6868

WWW.RCWORST.COM

4101 E BROADWAY
 SPOKANE, WA 99202
 PHONE 509.534.5616