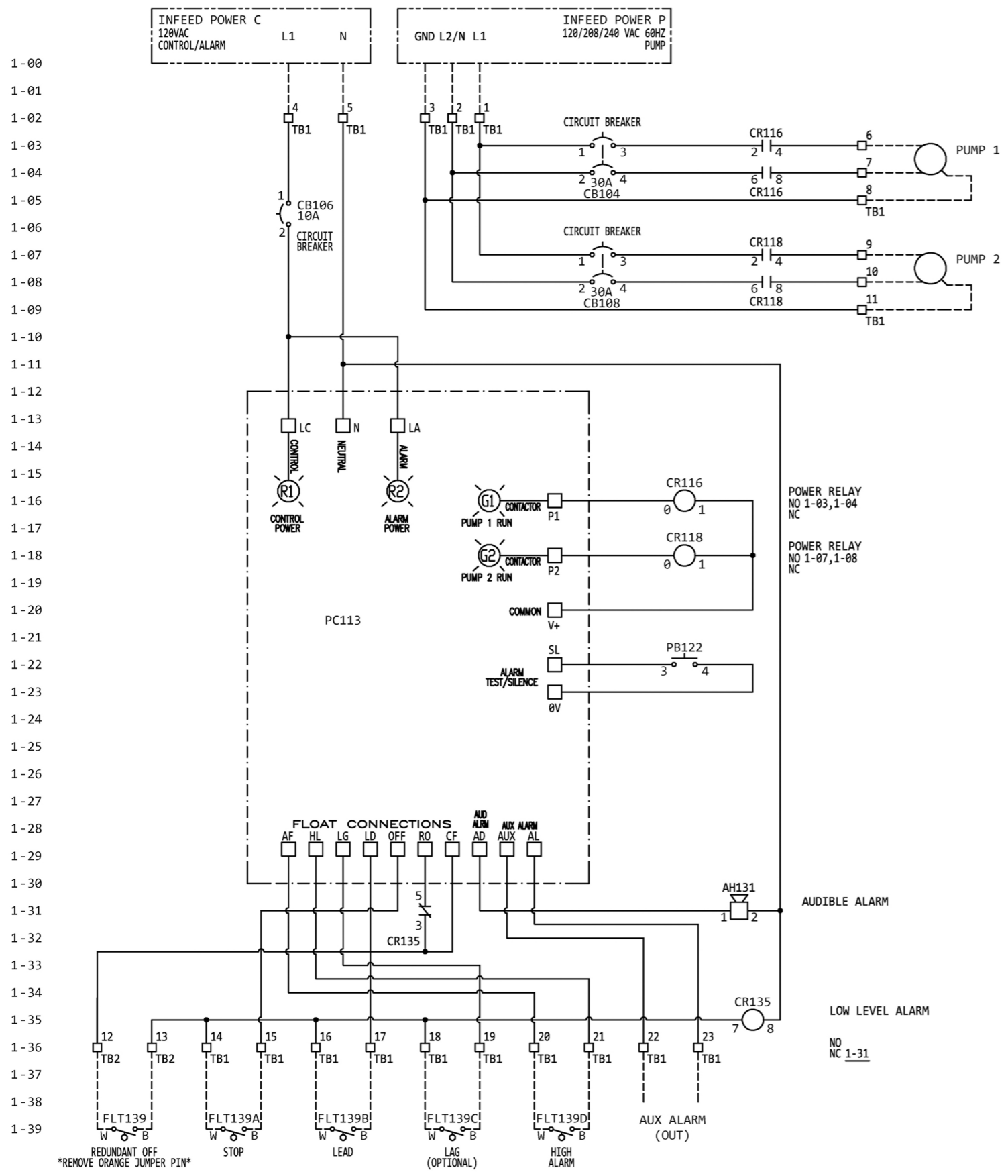


AFS DUPLEX DUAL VOLTAGE CONTROL PANEL
 PART NUMBER: AFSCPD120/240
 WIRING DIAGRAM

AFSS2DV	DWG NO	DATE	SCALE	DRAWN BY	CHECKED BY
12/30/21	NTS	ACW	SAJ		

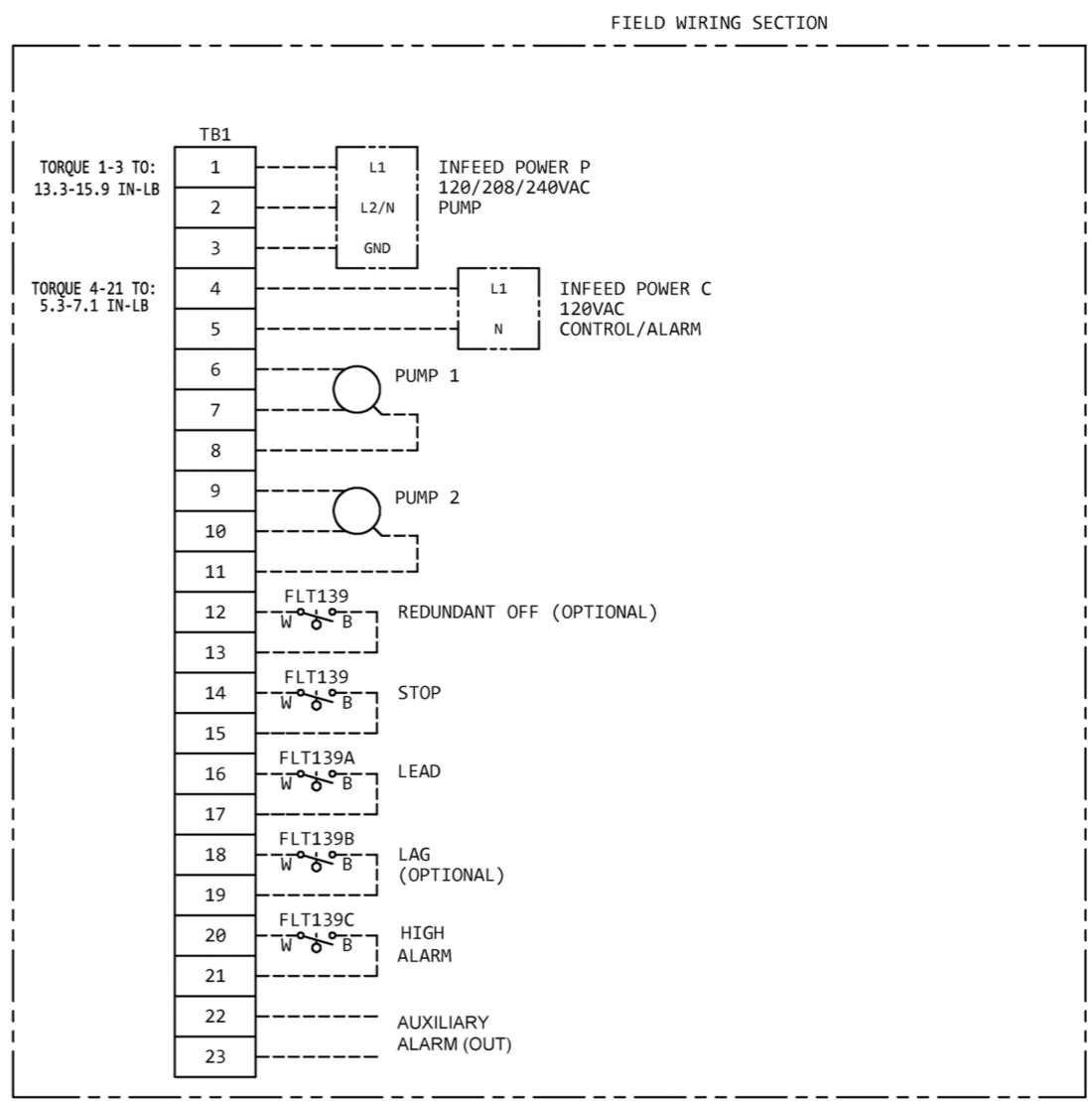
4101 E BROADWAY
 SPOKANE, WA 99202
 208.529.6868
 WWW.RCWORST.COM

625 BEST AVE
 COEUR D'ALENE, ID 83814
 208.664.2133



1-00
1-01
1-02
1-03
1-04
1-05
1-06
1-07
1-08
1-09
1-10
1-11
1-12
1-13
1-14
1-15
1-16
1-17
1-18
1-19
1-20
1-21
1-22
1-23
1-24
1-25
1-26
1-27
1-28
1-29
1-30
1-31
1-32
1-33
1-34
1-35
1-36
1-37
1-38
1-39

1-40
1-41
1-42
1-43
1-44
1-45
1-46
1-47
1-48
1-49
1-50
1-51
1-52
1-53
1-54
1-55
1-56
1-57
1-58
1-59
1-60
1-61
1-62
1-63
1-64
1-65
1-66
1-67
1-68
1-69
1-70
1-71
1-72
1-73
1-74
1-75
1-76
1-77
1-78
1-79



- NOTES:
- FIELD WIRING IS SHOWN
 - TEMPERATURE RATING OF FIELD INSTALLED CONDUCTORS MUST BE AT LEAST 140° F. (60° C.).
 - FIELD WIRING WILL ACCEPT COPPER CONDUCTORS ONLY.
 - CONNECT GROUND IN PANEL TO A SECURE EARTH GROUND.
 - THE USE OF SEPARATE POWER SOURCES FOR PUMP AND ALARM ARE RECOMMENDED.
 - OVERLOAD PROTECTION, MAIN DISCONNECT AND OVER CURRENT PROTECTION OF INCOMING FEEDER CIRCUIT PROVIDED BY OTHERS AND MUST BE SIZED ACCORDING TO THE PUMP/MOTOR MANUFACTURER SPECIFICATIONS.

PUMP 1 SPECIFICATIONS BRAND: _____ MODEL: _____ SERIAL #: _____ VAC: ___ FLA: ___ HP: ___ DRAWDOWN: _____ SQUIRT: _____	PUMP 2 SPECIFICATIONS BRAND: _____ MODEL: _____ SERIAL #: _____ VAC: ___ FLA: ___ HP: ___ DRAWDOWN: _____ SQUIRT: _____	FLOAT HEIGHT (DEMAND) STOP: _____ FT START: _____ FT ALARM: _____ FT LAG: _____ FT	INSTALLATION INST. BY: _____ DATE: _____ TELEPHONE: _____
--	--	---	--

REMOVE ORANGE JUMPER PIN