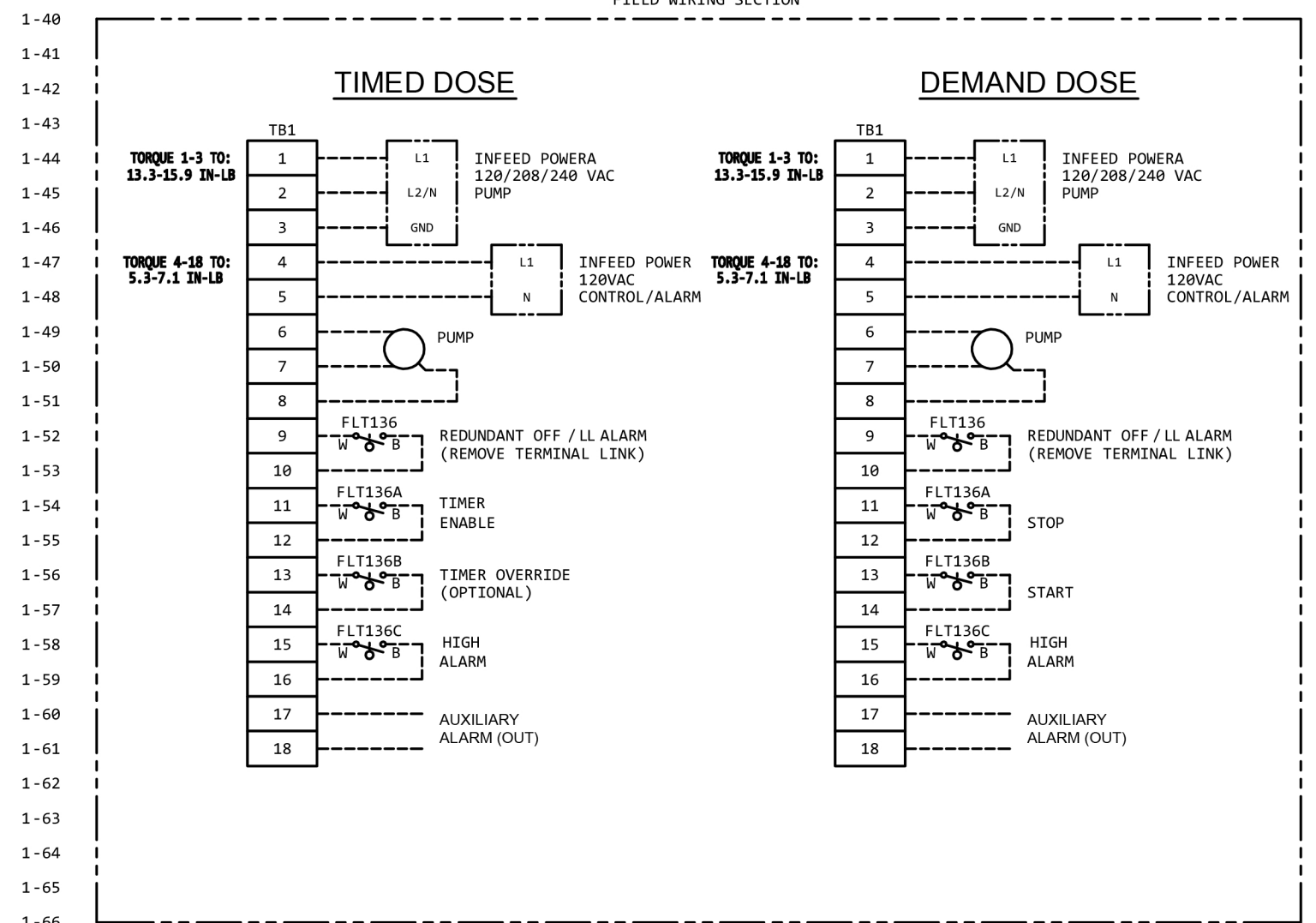


AFSS2WD	DWG NO	DATE	SCALE	DRAWN BY	CHECKED BY
02/23/21			NTS	ACW	SAJ

4101 E BROADWAY  
 SPOKANE, WA 99202  
 PHONE 509.534.5616

**AFS**  
 AUTOMATED FLOW SYSTEMS  
 625 BEST AVE  
 COEUR D'ALENE, ID 83814  
 PHONE 208.664.2133

FIELD WIRING SECTION



1-40  
1-41  
1-42  
1-43  
1-44  
1-45  
1-46  
1-47  
1-48  
1-49  
1-50  
1-51  
1-52  
1-53  
1-54  
1-55  
1-56  
1-57  
1-58  
1-59  
1-60  
1-61  
1-62  
1-63  
1-64  
1-65  
1-66  
1-67  
1-68  
1-69  
1-70  
1-71  
1-72  
1-73  
1-74  
1-75  
1-76  
1-77  
1-78  
1-79

- NOTES:
1. FIELD WIRING IS SHOWN -----
  2. TEMPERATURE RATING OF FIELD INSTALLED CONDUCTORS MUST BE AT LEAST 140° F. (60° C.).
  3. FIELD WIRING WILL ACCEPT COPPER CONDUCTORS ONLY.
  4. CONNECT GROUND LUG IN PANEL TO A SECURE EARTH GROUND.
  5. THE USE OF SEPARATE POWER SOURCES FOR PUMP AND ALARM ARE RECOMMENDED.
  6. OVERLOAD PROTECTION, MAIN DISCONNECT AND OVER CURRENT PROTECTION OF INCOMING FEEDER CIRCUIT PROVIDED BY OTHERS AND MUST BE SIZED ACCORDING TO THE PUMP/MOTOR MANUFACTURER SPECIFICATIONS.

**PUMP SPECIFICATIONS**

BRAND: \_\_\_\_\_  
 MODEL: \_\_\_\_\_  
 SERIAL #: \_\_\_\_\_  
 VAC: \_\_\_\_\_ FLA: \_\_\_\_\_ HP: \_\_\_\_\_  
 DRAWDOWN: \_\_\_\_\_  
 SQUIRT: \_\_\_\_\_

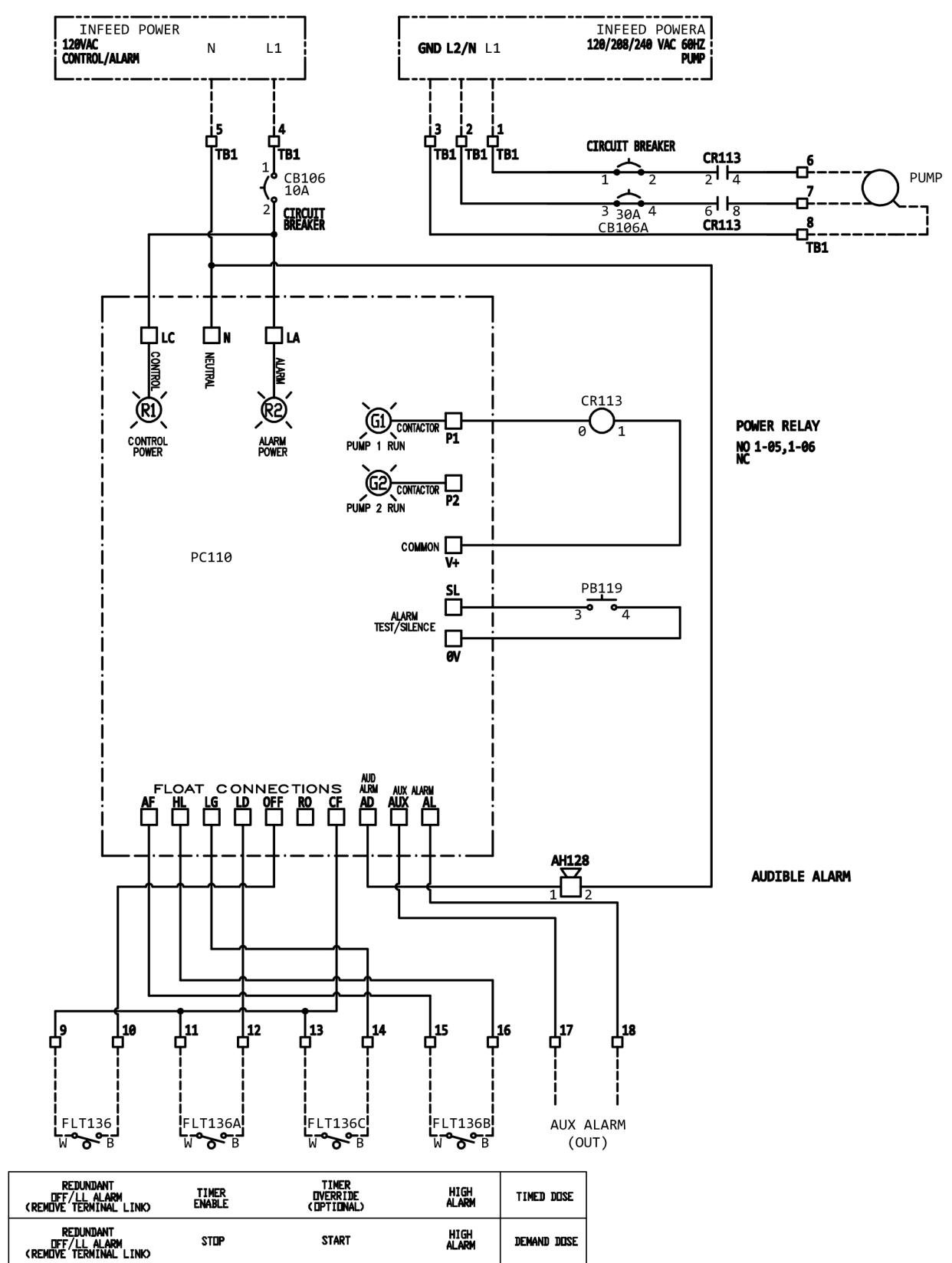
**FLOAT HEIGHT (TD)**

RED. OFF: \_\_\_\_\_ FT  
 TMR EN: \_\_\_\_\_ FT  
 ALARM: \_\_\_\_\_ FT  
 TIMER (OVERRIDE): \_\_\_\_\_ FT

**INSTALLATION**

INST. BY: \_\_\_\_\_ DATE: \_\_\_\_\_  
 TELEPHONE: \_\_\_\_\_

1-00  
1-01  
1-02  
1-03  
1-04  
1-05  
1-06  
1-07  
1-08  
1-09  
1-10  
1-11  
1-12  
1-13  
1-14  
1-15  
1-16  
1-17  
1-18  
1-19  
1-20  
1-21  
1-22  
1-23  
1-24  
1-25  
1-26  
1-27  
1-28  
1-29  
1-30  
1-31  
1-32  
1-33  
1-34  
1-35  
1-36  
1-37  
1-38  
1-39



REDUNDANT OFF/LL ALARM (REMOVE TERMINAL LINK)	TIMER ENABLE	TIMER OVERRIDE (OPTIONAL)	HIGH ALARM	TIMED DOSE
REDUNDANT OFF/LL ALARM (REMOVE TERMINAL LINK)	STOP	START	HIGH ALARM	DEMAND DOSE