

END-SUCTION CENTRIFUGAL PUMPS

Series: BCS
0.75 - 3 HP @ 3500 RPM
0.5 HP @ 1750 RPM
1 & 3 phases



SUCTION

1¼" or 1½" NPT horizontal.

DISCHARGE

1" or 1¼" NPT vertical.

SPHERICAL SOLIDS HANDLING

Up to 3/8" diameter.

MAX. WORKING PRESSURE

175 PSIG.

MAX. TEMPERATURES

250°F (121°C).

BODY

AISI 316 stainless steel.

INTERMEDIATE COUPLING

Cast iron.

IMPELLER

Design: open.

Material: AISI 316 stainless steel.

SEAL

Design: mechanical, type 01.

Material: carbon/silicon-carbide faces, Viton elastomers and 316 stainless steel metal parts.

SEAL PLATE

AISI 316 stainless steel.

SHAFT SLEEVE

AISI 316 stainless steel.

O-RINGS

Viton.

MOTOR

NEMA standard 56J frame motors from 0.75 to 3 HP at 3500 RPM and 0.5 HP at 1750 RPM. Open drip-proof and totally enclosed fan-cooled.

Single phase 115/230 V (3 HP model is 230 V only). Built in overload with auto reset provided. Three phase 208–230/460V.

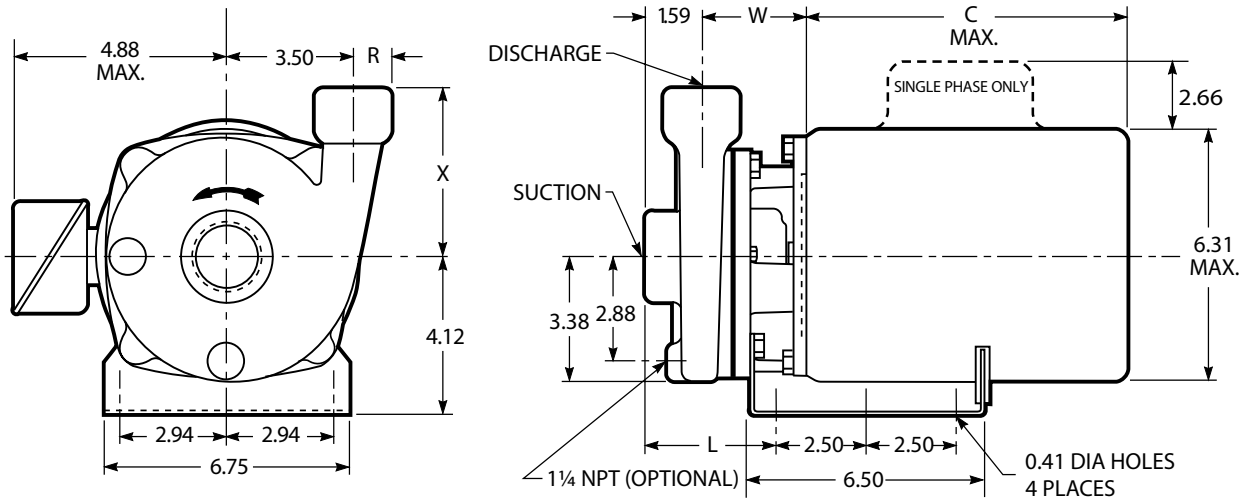
Overload protection must be provided.

HARDWARE

AISI 304 stainless steel.

PAINT

Solvent based enamel (only intermediate coupling).



DIMENSIONS IN INCHES

Dimensions and Weights – Determined by Pump

MODEL	SIZE	DIMENSIONS				WEIGHT MAX. OF PUMP
		L	R	W	X	
BCS 1 x 1¼-5	1 x 1¼	3.75	0.94	3.01	4.62	17
BCS 1¼ x 1½-5	1¼ x 1½	3.62	1.06	2.88	4.56	17

Available Motor Weights and Dimensions

HP	SINGLE PHASE		THREE PHASE		C MAX. LENGTH
	ODP	TEFC	ODP	TEFC	
0.5	16	21	19	18	10.5
0.75	19	24	21	21	11
1	22	26	23	21	11.38
1.5	28	35	27	27	12.06
2	33	39	32	33	13
3	38	47	36	42	14

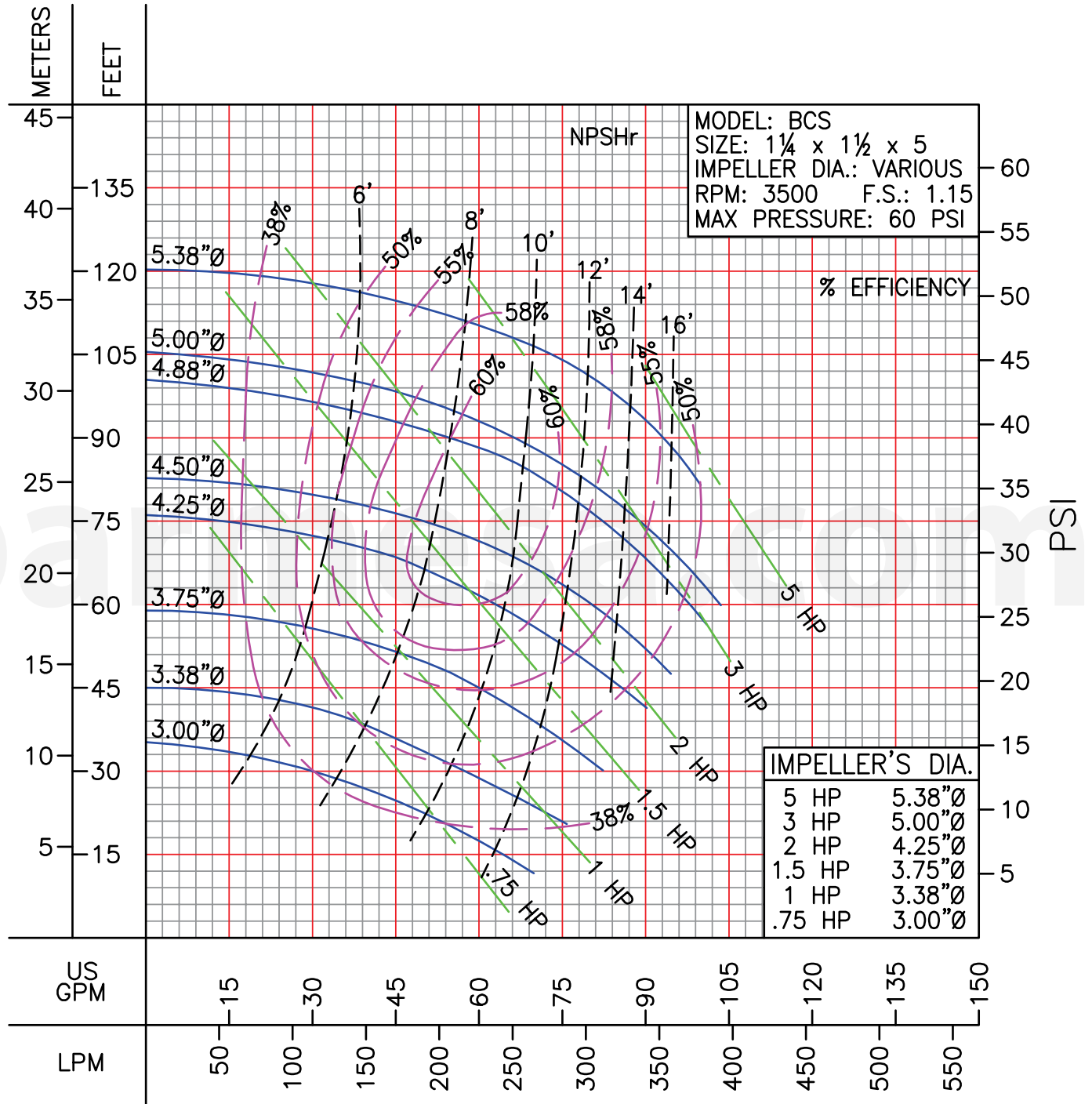
NOTES:

1. Pumps will be shipped with top vertical discharge as standard, for other orientations, remove casing bolts, rotate to desired position, and tighten 3/8" bolts to 24 lbf-ft.
2. Dimensions in inches, weight in pounds.
3. Not to be used for construction purposes unless certified.
4. Motor dimensions may vary with motor manufacturers.

*** Weight is liquid end only. For complete pump, add weight of applicable motor.**

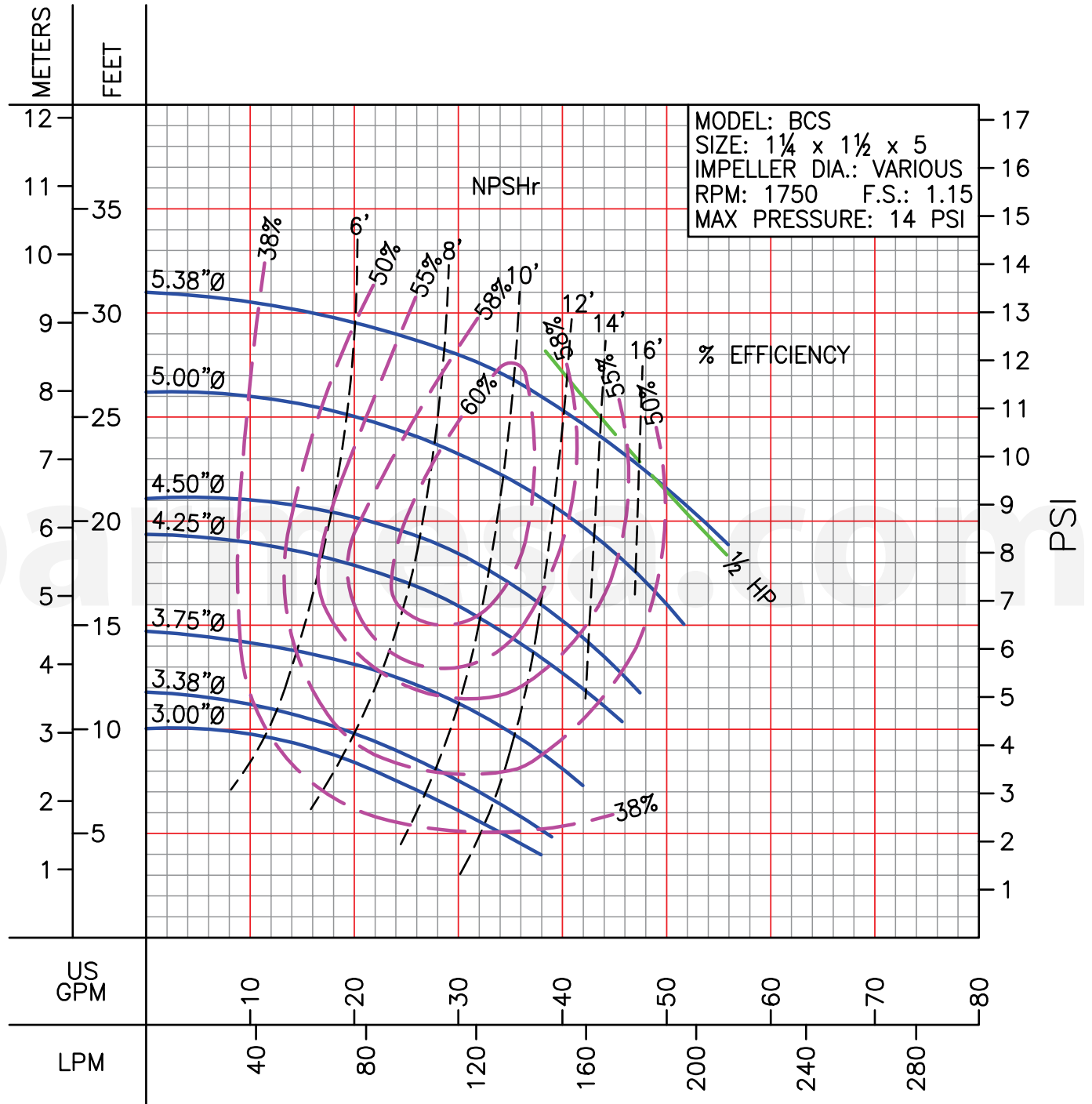
IMPORTANT!

1. Never use this pump to handle explosive liquids.



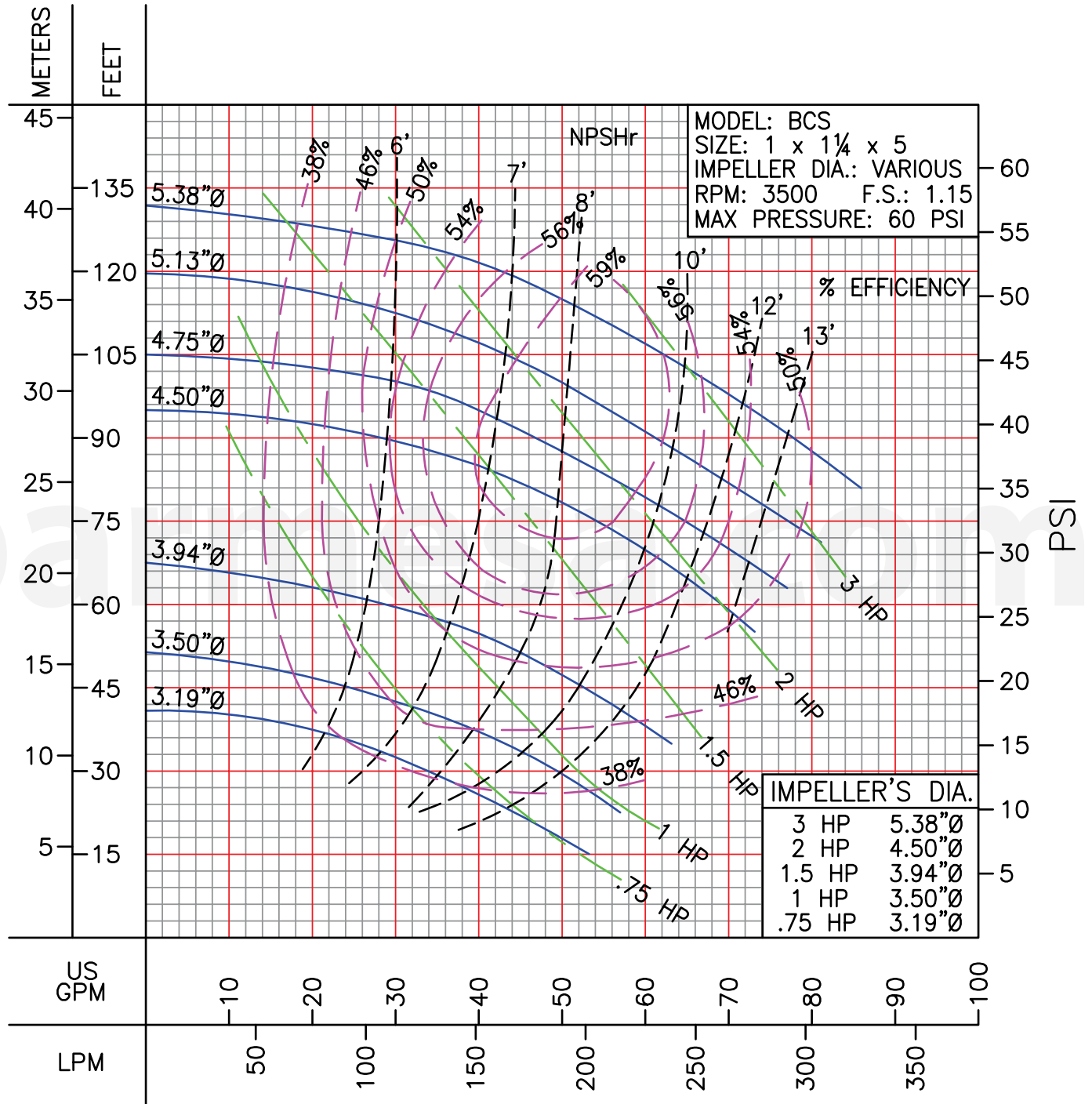
LIQUID: WATER
SPECIFIC GRAVITY: 1.00

TEMPERATURE: 70° F (21° C)
MAXIMUM DIA. SOLIDS: .38 in



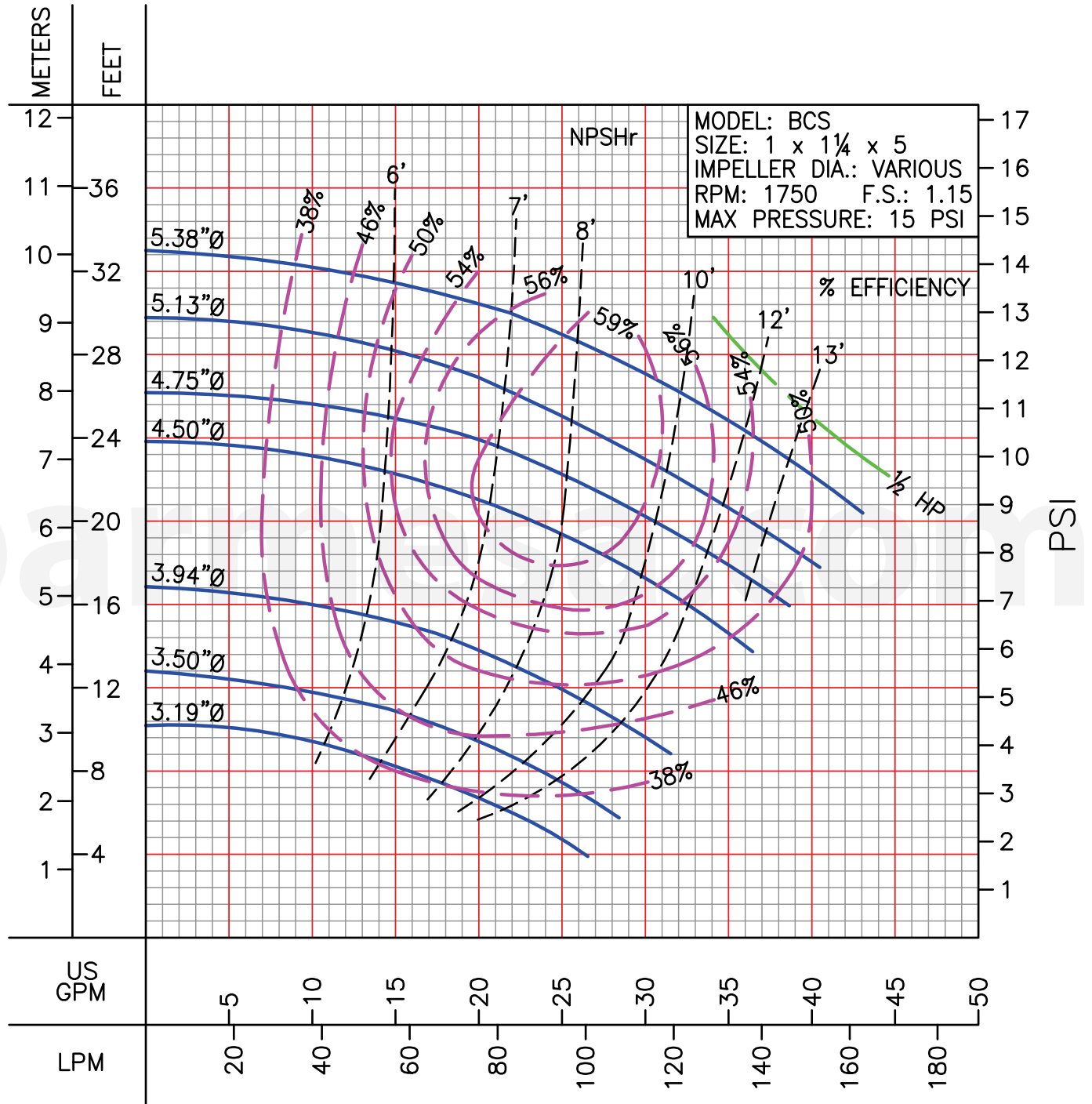
LIQUID: WATER
SPECIFIC GRAVITY: 1.00

TEMPERATURE: 70° F (21° C)
MAXIMUM DIA. SOLIDS: .38 in



LIQUID: WATER
SPECIFIC GRAVITY: 1.00

TEMPERATURE: 70° F (21° C)
MAXIMUM DIA. SOLIDS: .38 in



MODEL: BCS
SIZE: 1 x 1¼ x 5
IMPELLER DIA.: VARIOUS
RPM: 1750 F.S.: 1.15
MAX PRESSURE: 15 PSI

LIQUID: WATER
SPECIFIC GRAVITY: 1.00

TEMPERATURE: 70° F (21° C)
MAXIMUM DIA. SOLIDS: .38 in