



# Barmesa<sup>®</sup> Pumps

Quality Pumps Since 1953



BMV / BMVF  
series

[barmesa.com](http://barmesa.com)

# Index

Vertical multi-stage pump .....	<b>1</b>
Nomenclature .....	<b>2</b>
Performance scope & specification .....	<b>3</b>
NPSH & operation in parallel .....	<b>4</b>
Maximum working pressure & ambient temperature .....	<b>5</b>
Material .....	<b>6</b>
Curves BMV(F)1 .....	<b>8</b>
Curves BMV(F)2 .....	<b>9</b>
Curves BMV(F)3 .....	<b>10</b>
Curves BMV(F)4 .....	<b>11</b>
Curves BMV(F)8 .....	<b>12</b>
Curve BMVF10 .....	<b>13</b>
Curves BMV(F)12 .....	<b>14</b>
Curves BMV(F)15 .....	<b>15</b>
Curve BMVF16 .....	<b>16</b>
Curves BMV(F)20 .....	<b>17</b>
Curves BMV(F)32 .....	<b>18</b>
Curves BMV(F)42 .....	<b>19</b>
Curves BMV(F)65 .....	<b>20</b>
Curves BMV(F)85 .....	<b>21</b>
Curves BMV(F)120 .....	<b>22</b>
Curves BMV(F)150 .....	<b>23</b>
.....	<b>23</b>

# Vertical multi-stage pump

## Pump

The BMV pump is driven by a standard electric motor. The motor output shaft directly connects with the pump shaft through a coupling. The pressure-resistant cylinder and flow passage components are fixed between pump head and inlet & outlet section with stay bolts. The inlet and outlet are located at the pump bottom at the same plane. This kind of pump can be equipped with an intelligent protector to effectively prevent it from dry-running, out-of-phase and overload.

## Premium efficiency motor

- ▶ Totally enclosed, fan-cooled, standard efficiency.
- ▶ 2 pole, 3 phase, 60 Hz, 230 / 460 volt.
- ▶ IP55 protection class.
- ▶ Class "F" insulation.

## Operation conditions

- ▶ Thin, clean, non-flammable and non-explosive liquid containing, no solid granules and fibers.
- ▶ Liquid temperature:  
Normal temperature:  $-15\text{ }^{\circ}\text{C}\sim+70\text{ }^{\circ}\text{C}$   
Hot water type:  $-15\text{ }^{\circ}\text{C}\sim+105\text{ }^{\circ}\text{C}$
- ▶ Ambient temperature: hasta  $+40\text{ }^{\circ}\text{C}$
- ▶ Altitude: up to 1000 m

## Application

The BMV pump is vertical multi-stage centrifugal pump, the pipeline structure can ensure that the pump can be directly installed in the pipeline system which pipe diameters are the same and the outlet and inlet at the same level. This design of structure makes the connection from pump to pipe more compact. Have different specifications and different series, to meet the requirement of flow rate and pressure. Can transfer not only water but also various industrial liquid medium, suitable for different temperature, flow rate and pressure range. BMV is suitable for mild corrosive liquid.

### Water supply:

- ▶ Water filtering and conveying.
- ▶ Water partition.
- ▶ Net pressure boosting for high-rise buildings.
- ▶ Industrial water pressure boosting.

### Industrial boosting:

- ▶ Process water system.
- ▶ Cleaning system.
- ▶ High pressure washing system.
- ▶ Fire-fighting system.
- ▶ Car cleaning.

### Industrial liquid transportation:

- ▶ Cooling and air conditioning system.
- ▶ Boiler feed water system.
- ▶ Temperature system.
- ▶ Machine matching.

### Delivery:

- ▶ Oil and alcohol.
- ▶ Acid and alkali.
- ▶ Ethylene, glycol and coolant.

### Water treatment:

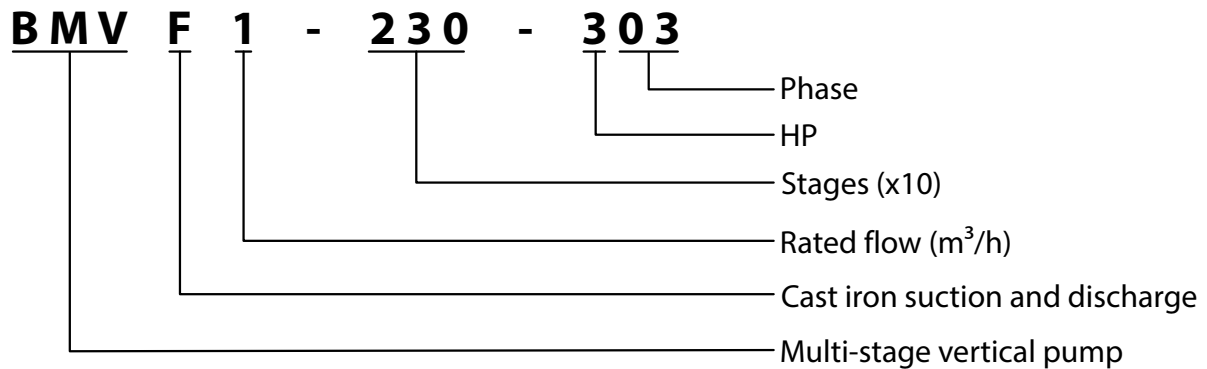
- ▶ Ultrafiltration system.
- ▶ Reverse osmosis system.
- ▶ Separator

### Irrigation:

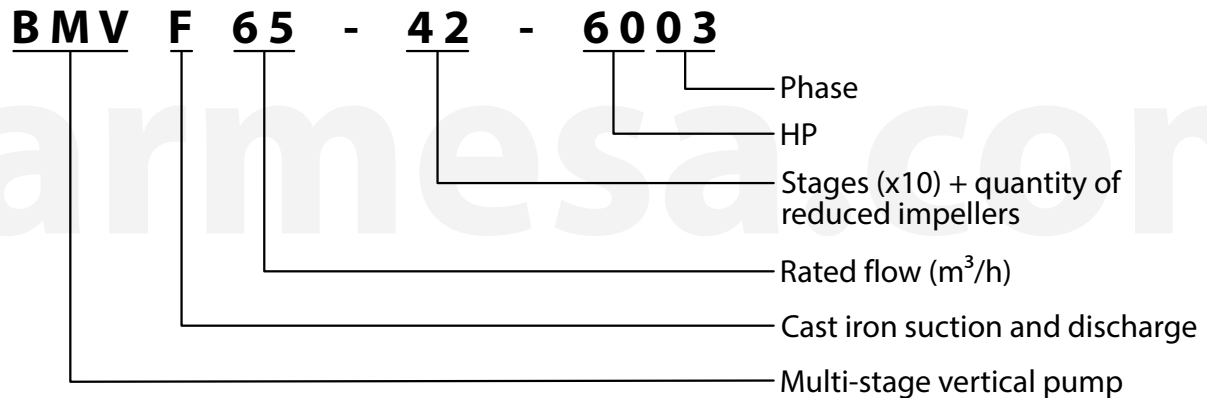
- ▶ Region irrigation.
- ▶ Sprinkler irrigation.
- ▶ Drip irrigation.

# Nomenclature

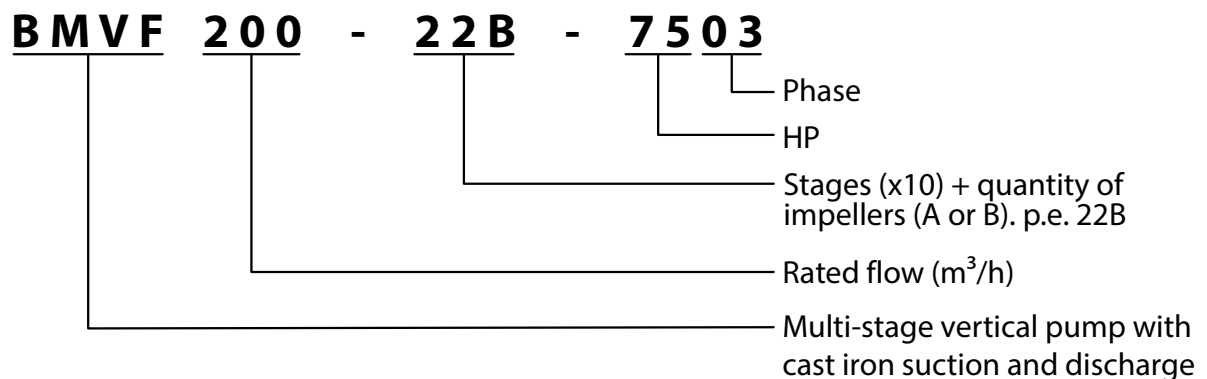
BMV(F)1, 2, 3, 4, 8, 10, 12, 15, 16, 20



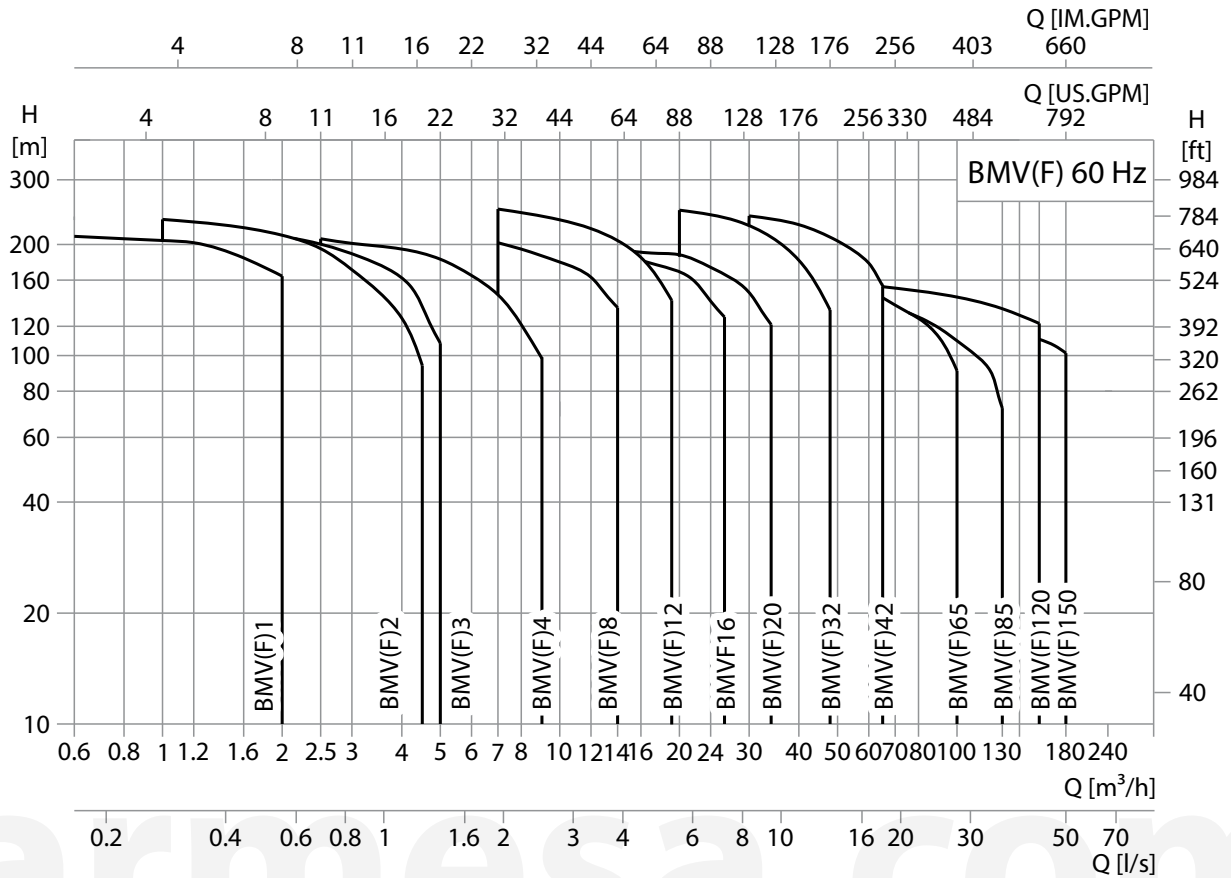
BMV(F)32, 42, 65, 90, 120, 150



BMVF200



# Performance scope & specification



PARAMETER	BMV1 BMVF1	BMV2 BMVF2	BMV3 BMVF3	BMV4 BMVF4	BMV8 BMVF8	BMVF10	BMV12 BMVF12	BMVF15	BMV16 BMVF16
Rated flow (m³/h)	1	2	3	4	8	10	12	15	16
Rated flow (l/s)	0.28	0.56	0.83	1.1	2.2	2.8	3.3	4.1	4.4
Flow range (m³/h)	0.6 - 2	1 - 4.5	1.5 - 5	2.5 - 8	7 - 14	7 - 15	7 - 19	9 - 26	10 - 26
Flow range (l/s)	0.17 - 0.56	0.28 - 1.25	0.42 - 1.4	0.7 - 2.2	1.9 - 3.9	1.9 - 4.1	1.9 - 5.3	2.5 - 7.2	2.8 - 7.2
Max. pressure (bar)	22	23.5	23	21	20	25	25	24	20
Motor capacity (kW)	0.37 - 3	0.55 - 4	0.37 - 4	0.75 - 5.5	0.75 - 11	1.5 - 11	1.1 - 15	1.5 - 18.5	2.2 - 18.5
Temp. range (°C)					-15 ~ 105				
Max. efficiency (%)	44	46	54	57	62	70	63	73	66
Flange	DN25	DN25	DN25	DN32	DN40	DN40	DN50	DN50	DN50

PARAMETER	BMV20 BMVF20	BMV32 BMVF32	BMV42 BMVF42	BMV65 BMVF65	BMV85	BMVF90	BMV120 BMVF120	BMV150 BMVF150	BMVF200
Rated flow (m³/h)	20	32	42	65	85	90	120	150	200
Rated flow (l/s)	5.6	8.9	12.5	17.8	25	25	33	41.6	55.6
Flow range (m³/h)	12 - 34	20 - 48	30 - 65	40 - 100	60 - 130	60 - 130	60 - 160	80 - 180	100 - 240
Flow range (l/s)	3.3 - 9.4	5.5 - 13.3	8.3 - 18	11.1 - 27.7	16.7 - 36.1	16.7 - 36.1	16.7 - 44.4	22 - 50	27.8 - 66.7
Max. pressure (bar)	20	25	26	18	15	15	15	14	15
Motor capacity (kW)	2.2 - 18.5	3 - 30	5.5 - 45	7.5 - 45	11 - 45	11 - 45	18.5 - 75	15 - 75	30 - 110
Temp. range (°C)					-15 ~ 105				
Max. efficiency (%)	69	73	75	76	77	77	74	73	78
Flange	DN50	DN65	DN80	DN100	DN100	DN100	DN125	DN125	DN150

# NPSH & operation in parallel

## Minimum inlet pressure NPSH

In case that the pressure in pump is lower than the steam pressure used to convey liquid, the cavitations will occur. To avoid cavitations, a minimum pressure at the inlet side of the pump shall be guaranteed. The maximum suction pressure can be calculated with following formula:

$$H = P_b \times 10.2 - \text{NPSH} - H_f - H_v - H_s$$

**P<sub>b</sub>** = atmosphere pressure [bar]  
(can be set as 1 bar)

In a closed system, P<sub>b</sub> means system pressure [bar].

**NPSH** = net positive suction head [m] (It can be read out from the point of possible max. flow rate shown on NPSH curve).

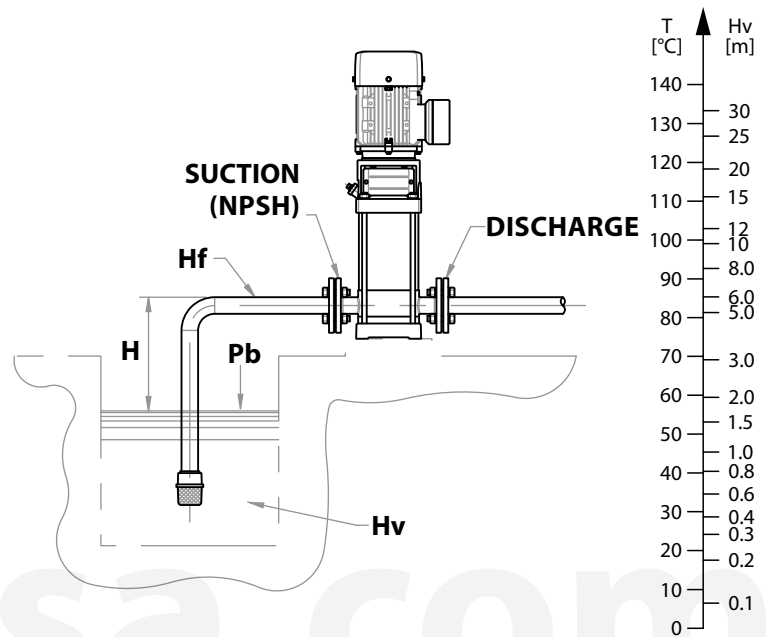
**H<sub>f</sub>** = pipeline loss at the inlet [m].

**H<sub>v</sub>** = steam pressure [m].

**H<sub>s</sub>** = safety margin = minimum 0.5 m delivery head.

If the calculated result H is positive, the pump may run under the max. suction pressure H.

In case the calculated result H is negative, a delivery head of min. inlet pressure is necessary.

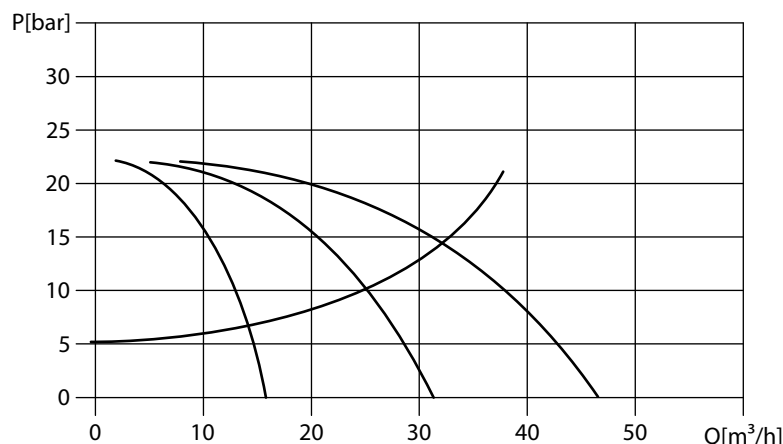


Check and ensure that the pump is not at cavitations state.

## Operation in parallel

Connecting several pumps in parallel running will benefit much more than running a single large pump.

- ▶ Applicable to different working states necessary in a variable flow system.
- ▶ Increasing the possibility of water supply when the pump is in failure. Because in case of pump failure, only part of the system flow is affected.

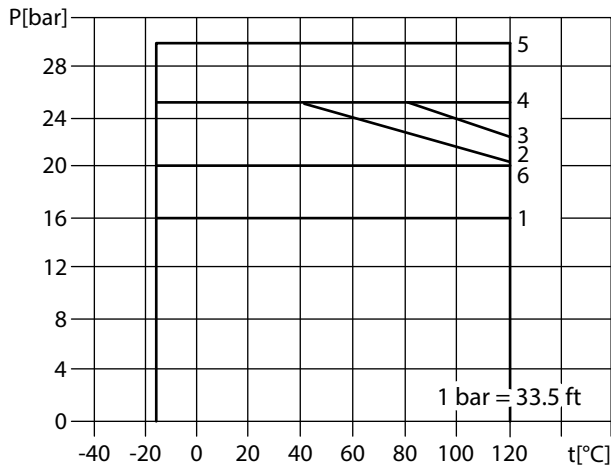


Two pumps or more can be connected in parallel running if necessary.

# Max. pressure & temperature

## Max. working pressure

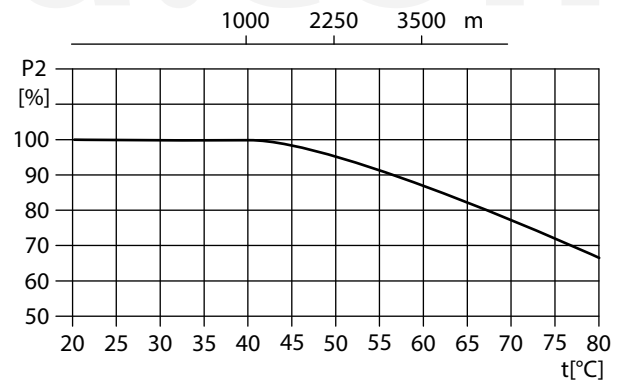
The following figure shows the limitation of pressure and temperature, which shall be in the scope as shown in the figure.

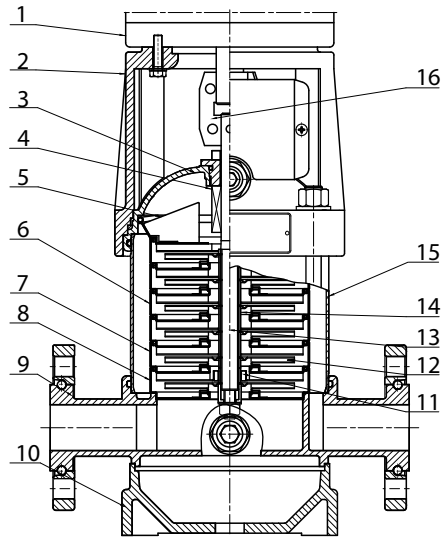


MODEL	CURVE No.
<b>BMV(F)1, 2, 3 &amp; 4</b>	2
<b>BMV10 &amp; 15</b>	3
<b>BMV(F)8, 12, 16 &amp; 20</b>	3
<b>BMV(F)32</b>	
32-22 ~ 32-552	1
32-60 ~ 32-92	4
32-90	5
<b>BMV(F)42</b>	
42-10 ~ 42-30	1
42-42 ~ 42-70	4
42-70	5
<b>BMV(F)65</b>	
65-11 ~ 65-30	1
65-42 ~ 52	4
<b>BMV85</b>	
85-10 ~ 85-30	1
85-42	4
<b>BMVF90</b>	
90-10 ~ 90-30	1
90-42	4
<b>BMV(F)120 &amp; 150</b>	6
<b>BMVF 200</b>	6

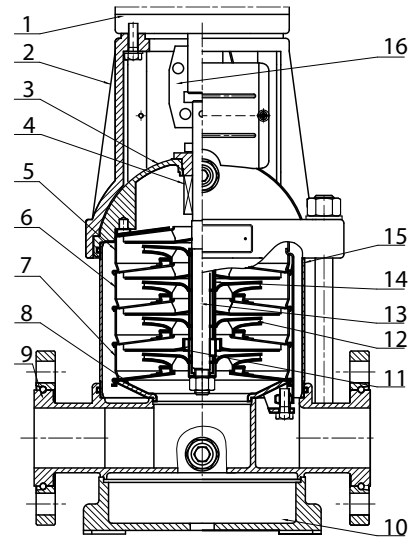
## Max. ambient temperature

When the pump operates under ambient temperature higher than 40 °C or under altitude higher than 1000 m, because of low air density and poor cooling effects, the motor output power P2 will be decreased to certain extent. If the pump is operated under the above-said conditions, it should be equipped with motor of higher power.





**BMV(F)1, 2, 3 & 4**

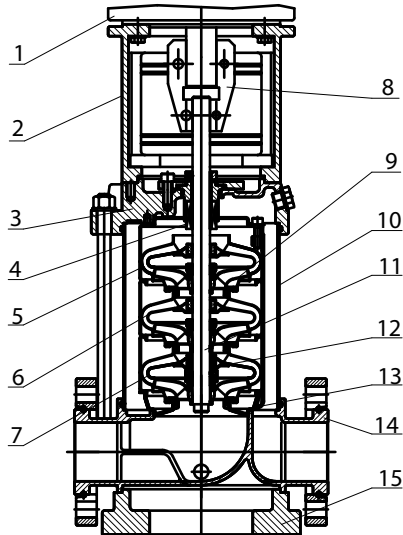


**BMV(F)8, 12, 16 & 20**

barmesa.com

ITEM	NAME	MATERIAL	AISI/ASTM
1	Motor	-	-
2	Pump head	Cast iron	ASTM 25B
3	Seal base	Stainless steel	AISI 304
4	Mechanical seal	-	-
5	Top diffuser	Stainless steel	AISI 304
6	Diffuser	Stainless steel	AISI 304
7	Support diffuser	Stainless steel	AISI 304
8	Inducer	Stainless steel	AISI 304
9	Inlet & outlet chamber	Stainless steel	AISI 304
10	Base plate	Cast iron	ASTM 25B
11	Bearing	Tungsten carbide	-
12	Impeller	Stainless steel	AISI 304
13	Shaft	Stainless steel	AISI 304/16L
14	Shaft sleeve	Stainless steel	AISI 304
15	Cylinder	Stainless steel	AISI 304
16	Coupling	Carbon steel	-

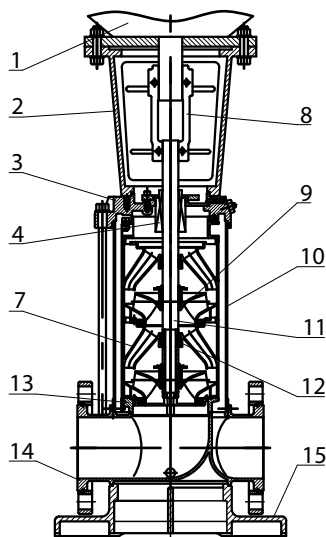




**BMV(F)32, 42, 65 & 85**

ITEM	NAME	MATERIAL	AISI/ASTM
1	Motor	-	-
2	Bracket	Cast iron/ ductile iron	ASTM25B ASTM70-50-05
3	Pump head	Stainless steel	AISI 304
4	Mechanical seal	-	-
5	Top diffuser	Stainless steel	AISI 304
6	Diffuser	Stainless steel	AISI 304
7	Support diffuser	Stainless steel	AISI 304
8	Coupling	Ductile iron	ASTM70-50-05
9	Impeller	Stainless steel	AISI 304
10	Cylinder	Stainless steel	AISI 304
11	Shaft	Stainless steel	AISI 304/16L
12	Bearing	Tungsten carbide	-
13	Inducer	Stainless steel	AISI 304
14	Inlet & outlet chamber	Stainless steel	AISI 304
15	Base	Cast iron	ASTM 25B

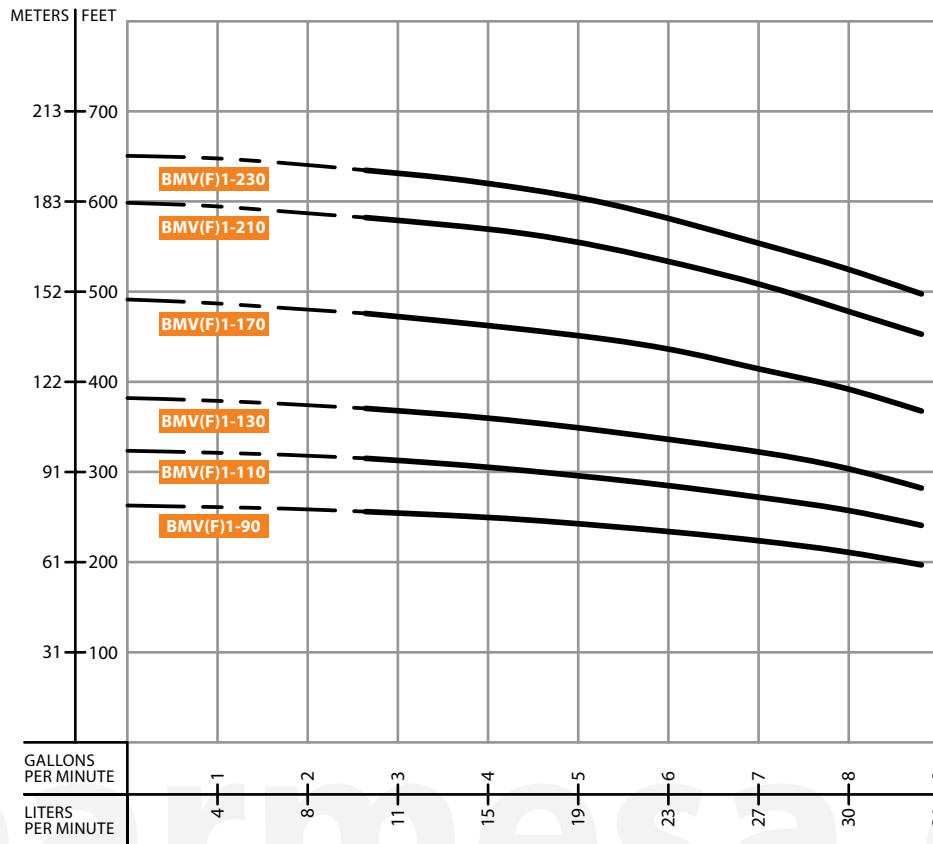
barmesa.com



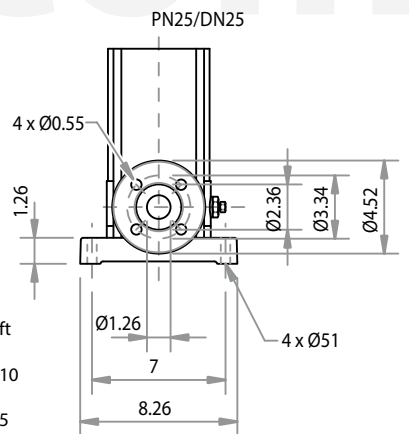
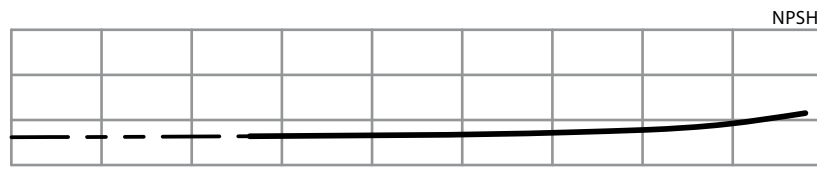
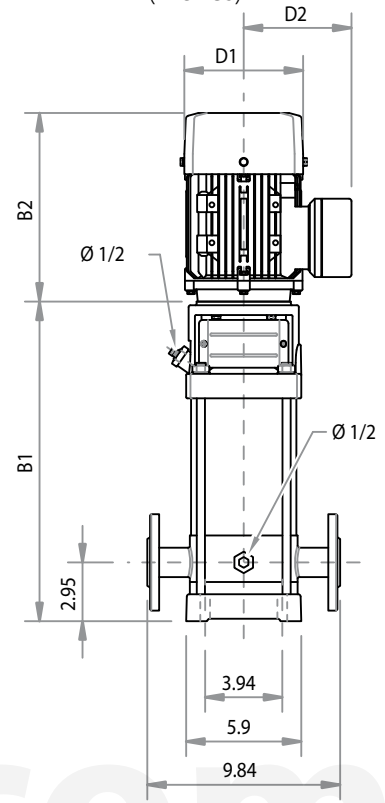
**BMV(F)120 & 150**

ITEM	NAME	MATERIAL	AISI/ASTM
1	Motor	-	-
2	Bracket	Cast iron/ ductile iron	ASTM25B ASTM70-50-05
3	Pump head	Stainless steel	AISI 304
4	Mechanical seal	-	-
7	Top diffuser	Stainless steel	AISI 304
8	Coupling	Ductile iron	ASTM70-50-05
9	Impeller	Stainless steel	AISI 304
10	Cylinder	Stainless steel	AISI 304
11	Shaft	Stainless steel	AISI 304/16L
12	Bearing	Tungsten carbide	-
13	Inducer	Stainless steel	AISI 304
14	Inlet & outlet chamber	Stainless steel	AISI 304
15	Base	Cast iron	ASTM 25B

# Curves BMV(F)1



Installation diagram (inches)



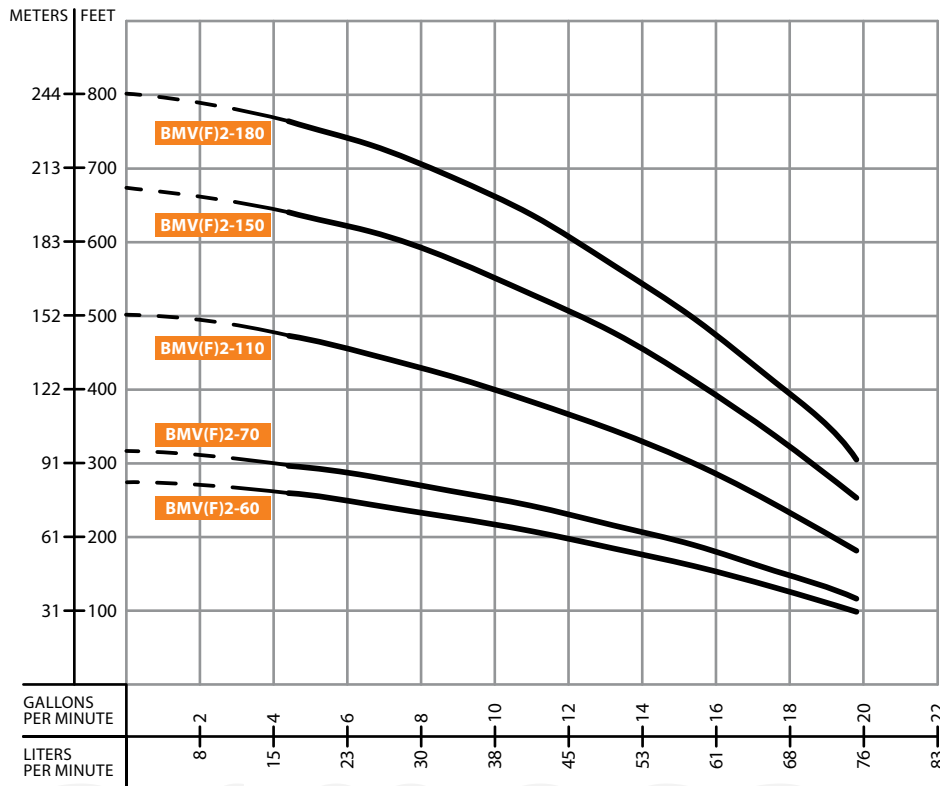
## Performance table

MODEL	STAGES	HP	Q (GPM)							
			2.6	3.5	4.4	5.3	6.2	7	7.9	8.8
BMV(F)1-90-103	9	1	249.3	246.1	242.8	239.5	232.9	216.5	210	196.9
BMV(F)1-110-153	11	1.5	311.7	305.1	295.3	285.4	278.9	265.7	255.9	239.5
BMV(F)1-130-153	13	1.5	367.5	360.9	351	344.5	328.1	311.7	305.1	282.2
BMV(F)1-170-203	17	2	472.4	462.6	456	449.5	433.1	406.8	393.7	367.5
BMV(F)1-210-303	21	3	580.7	570.9	564.3	551.2	531.5	502	482.3	452.8
BMV(F)1-230-303	23	3	633.2	623.4	616.8	603.7	570.9	547.9	528.2	498.7

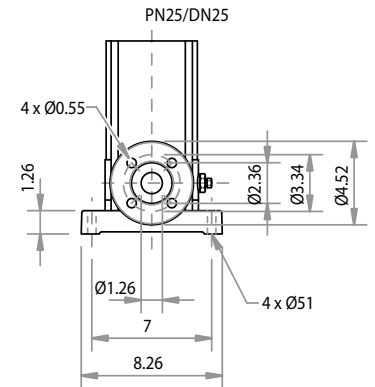
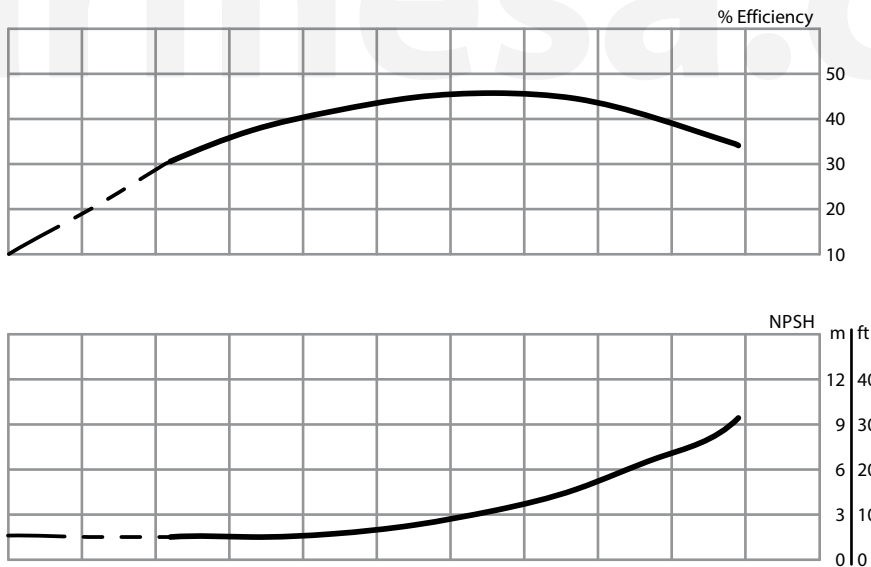
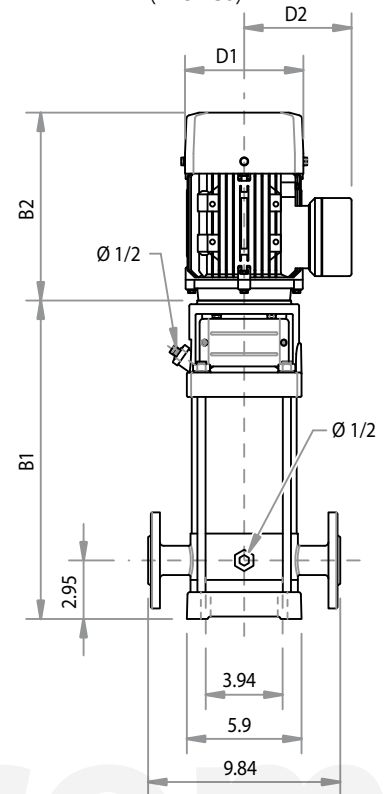
## Size and weight

B1	B2	B1+B2	Size (inches)		Weight (lb)
			D1	D2	
15.5	9.6	25.2	6.7	5.6	61.7
16.9	9.6	26.6	6.7	5.6	63.9
18.3	9.6	28	6.7	5.6	68.3
21.6	11.4	33	7.5	6.1	83.8
24.4	11.4	35.8	7.5	6.1	92.6
25.8	11.4	37.2	7.5	6.1	94.8

# Curves BMV(F)2



Installation diagram (inches)



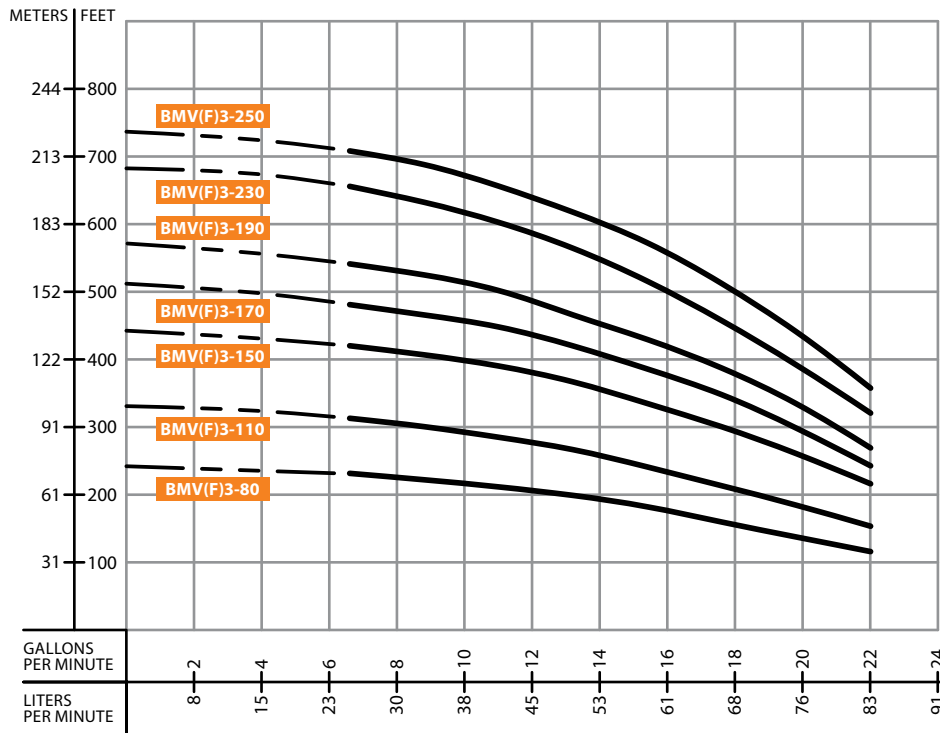
Performance table

MODEL	STAGES	HP	Q (GPM)							
			4.4	6.6	8.8	11	13.2	15.4	17.6	19.8
			H (ft)							
BMV(F)2-60-153	6	1.5	255.9	242.8	226.4	206.7	183.7	160.8	131.2	98.4
BMV(F)2-70-203	7	2	298.6	282.2	265.7	242.8	216.5	187	154.2	114.8
BMV(F)2-110-303	11	3	469.2	446.2	419.9	380.6	341.2	295.3	246.1	183.7
BMV(F)2-150-403	15	4	639.8	610.2	577.4	524.9	465.9	410.1	337.9	252.6
BMV(F)2-180-503	18	5	767.7	748	695.5	639.8	561	495.4	413.4	308.4

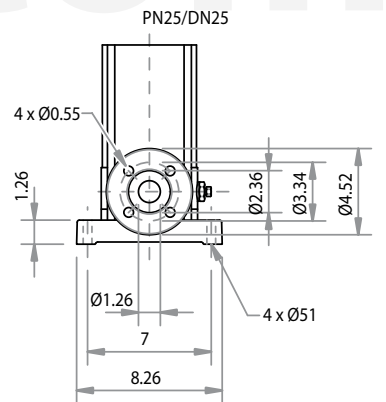
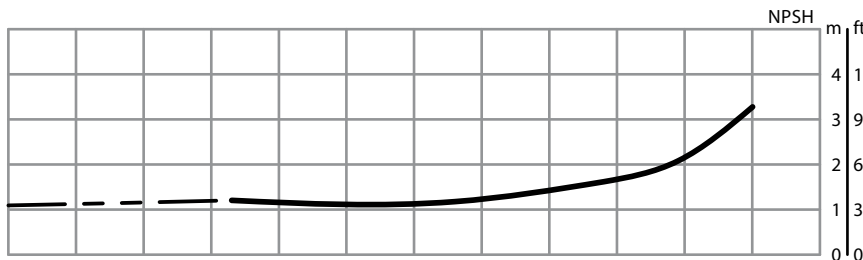
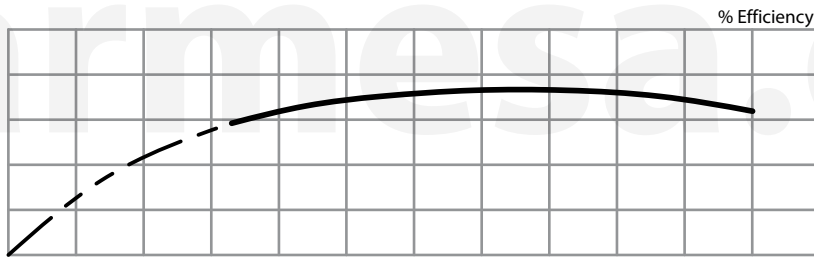
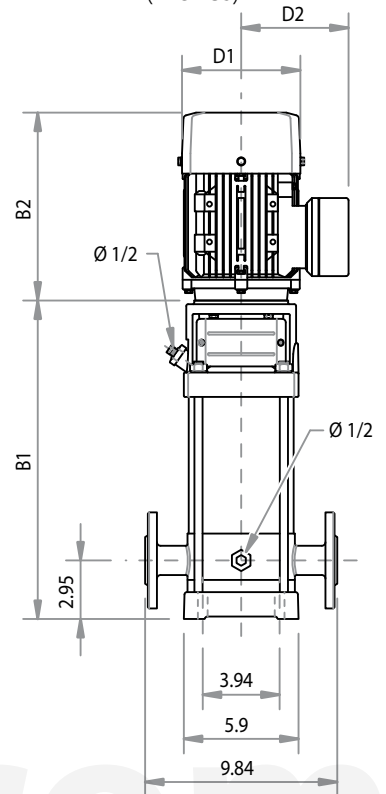
Size and weight

Size (inches)					Weight (lb)
B1	B2	B1+B2	D1	D2	
13.4	9.6	23	6.7	5.6	57.3
14.5	11.4	25.9	7.5	6.1	70.5
17.3	11.4	28.7	7.5	6.1	81.6
20.6	12.4	33	7.8	6.5	99.2
22.7	13.2	35.9	9.1	7.4	119

# Curves BMV(F)3



Installation diagram (inches)



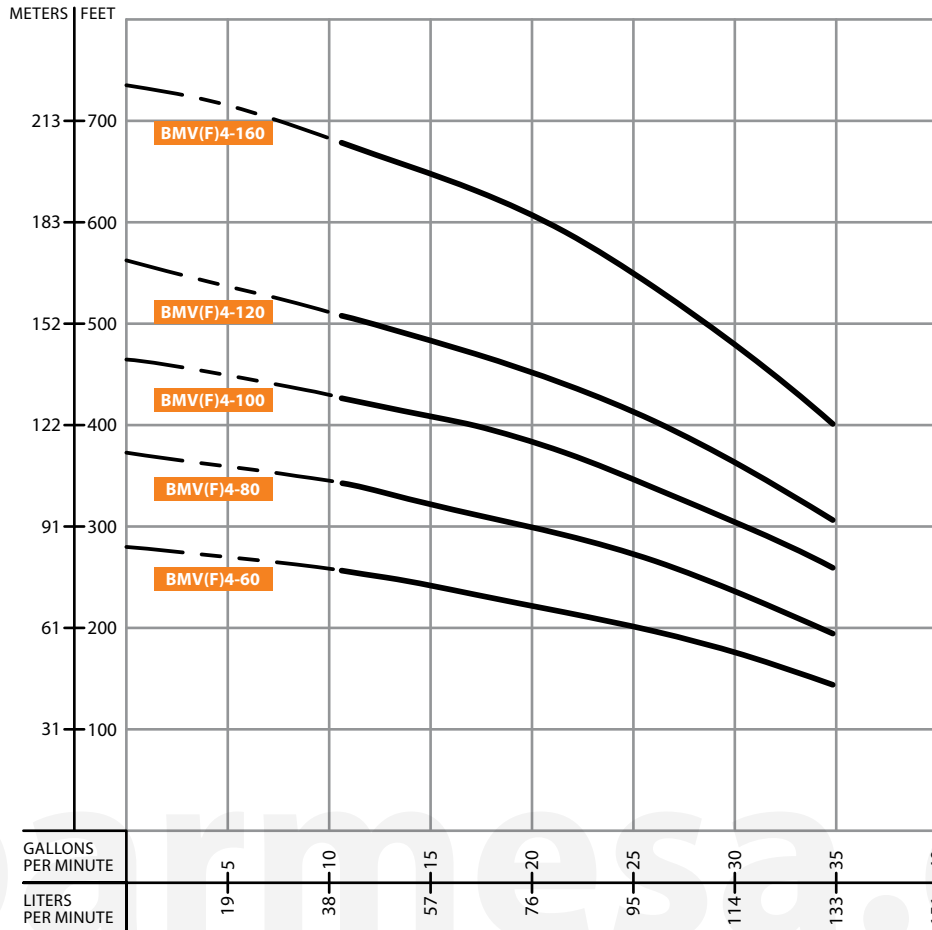
## Performance table

MODEL	STAGES	HP	Q (GPM)							
			6.6	8.8	11	13.2	15.4	17.6	19.8	22
BMV(F)3-80-153	8	1.5	229.7	219.8	210	200.1	173.9	160.8	144.4	114.8
BMV(F)3-110-203	11	2	315	301.8	285.4	269	242.8	226.4	193.6	157.5
BMV(F)3-150-303	15	3	423.2	413.4	393.7	367.5	324.8	305.1	265.7	213.3
BMV(F)3-170-303	17	3	482.3	469.2	449.5	419.9	374	347.8	298.6	242.8
BMV(F)3-190-403	19	4	541.3	524.9	502	465.9	403.5	387.1	334.6	269
BMV(F)3-230-403	23	4	656.2	636.5	607	570.9	505.2	465.9	400.3	321.5
BMV(F)3-250-503	25	5	711.9	692.3	662.7	613.5	547.9	505.2	439.6	354.3

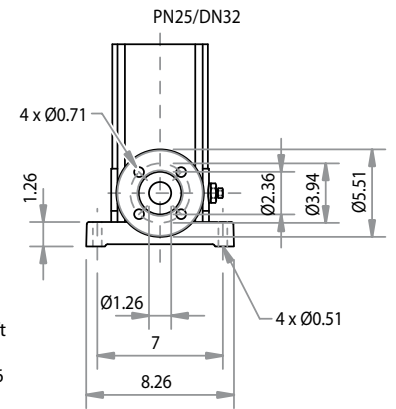
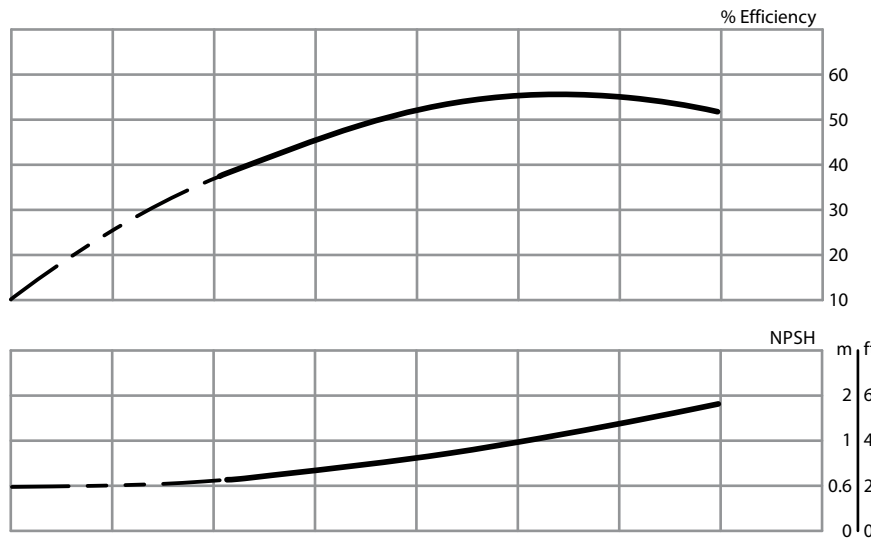
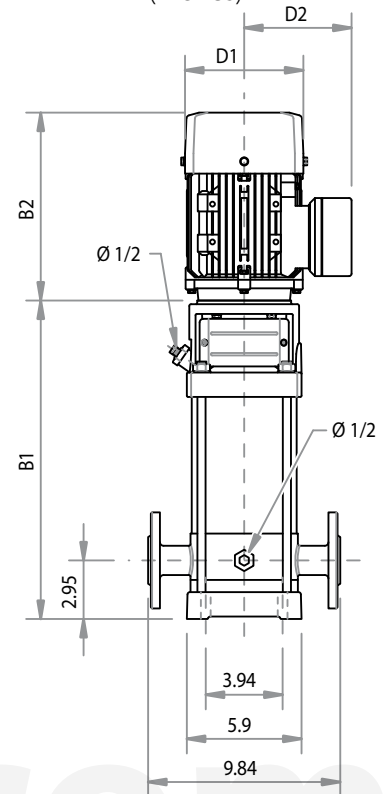
## Size and weight

Size (inches)					Weight (lb)
B1	B2	B1+B2	D1	D2	
14.8	9.6	24.4	6.7	5.6	59.5
17.3	11.4	28.7	7.5	6.1	75
20.2	11.4	31.6	7.5	6.1	86
21.6	11.4	33	7.5	6.1	88.2
23.4	12.4	35.8	7.8	6.5	105.8
26.2	12.4	38.6	7.8	6.5	110.2
27.6	13.2	40.8	9.1	7.4	127.9

# Curves BMV(F)4



Installation diagram (inches)



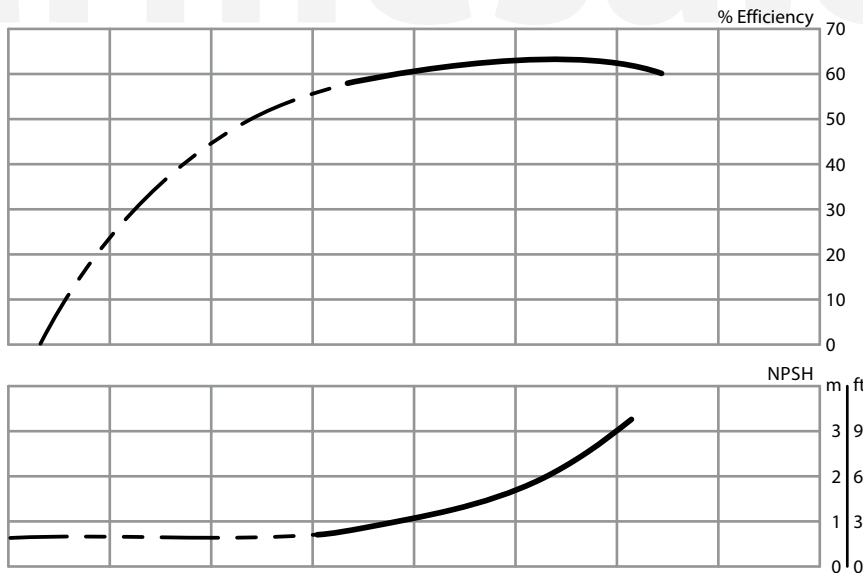
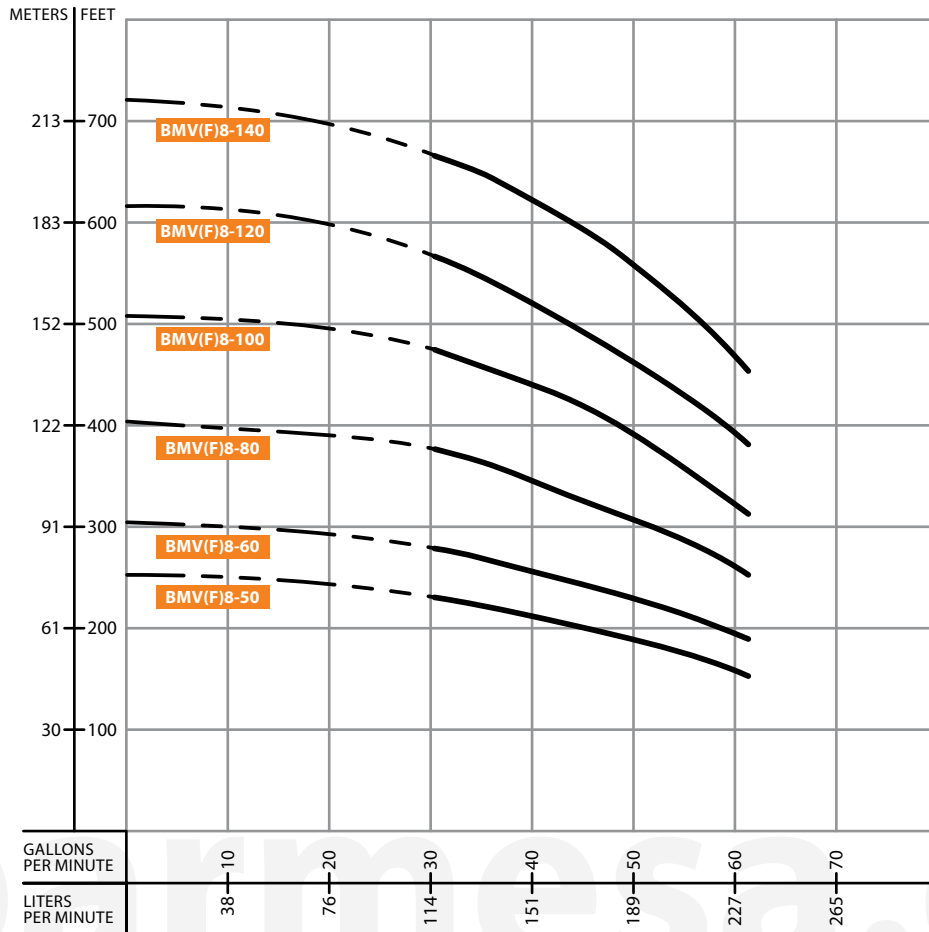
Performance table

MODEL	STAGES	HP	Q (GPM)						
			11	13.2	17.6	22	26.4	30.8	35.2
BMV(F)4-60-303	6	3	255.9	246.1	236.2	219.8	193.6	177.2	154.2
BMV(F)4-80-403	8	4	341.2	328.1	311.7	295.3	259.2	236.2	206.7
BMV(F)4-100-503	10	5	426.5	410.1	393.7	370.7	334.6	295.3	262.5
BMV(F)4-120-503	12	5	511.8	492.1	475.7	446.2	400.3	357.6	315
BMV(F)4-160-753	16	7.5	679.1	659.4	643	600.4	541.3	479	419.9

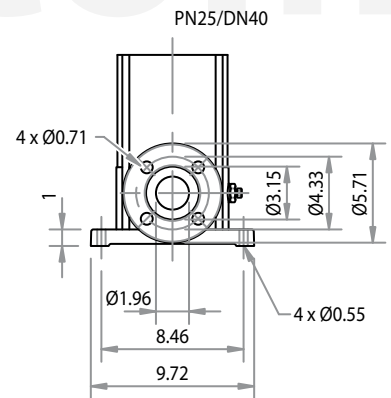
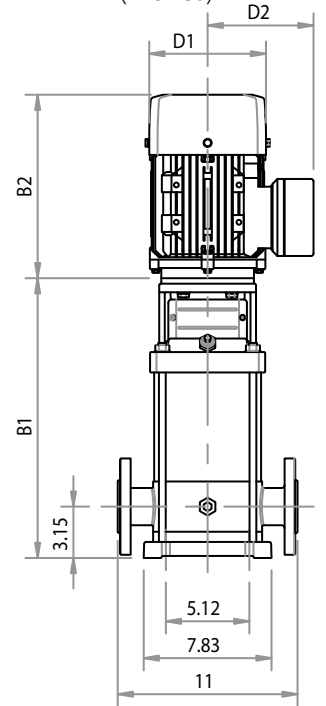
Size and weight

Size (inches)					Weight (lb)
B1	B2	B1+B2	D1	D2	
15.9	11.4	27.3	7.5	6.1	77.2
18.4	13.6	32	7.8	6.5	92.6
20.6	13.2	33.7	9.1	7.4	112.4
22.7	13.2	35.9	9.1	7.4	114.6
27.7	16.9	44.6	10.2	8.2	145.5

# Curves BMV(F)8



Installation diagram (inches)



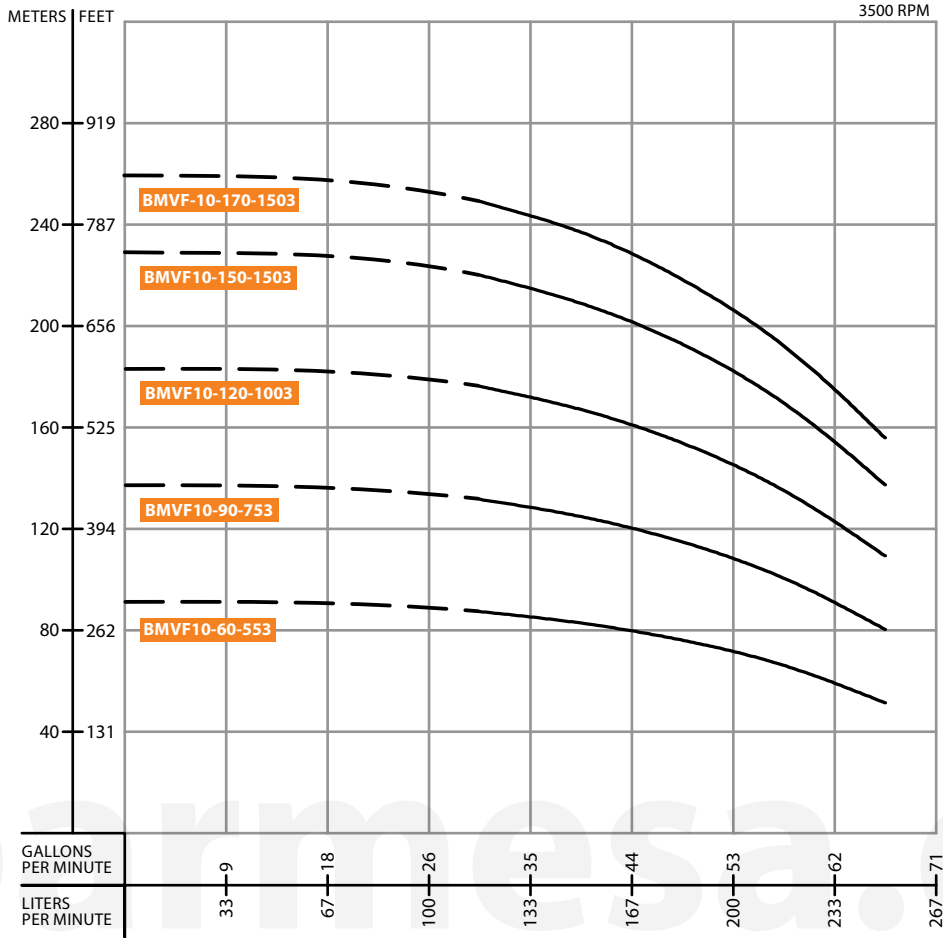
Performance table

MODEL	STAGES	HP	Q (GPM)							
			30.8	35.2	39.6	44	48.4	52.8	57.2	61.6
BMV(F)8-50-403	5	4	229.7	223.1	213.3	206.7	193.6	183.7	170.6	154.2
BMV(F)8-60-503	6	5	278.9	269	255.9	249.3	236.2	223.1	203.4	187
BMV(F)8-80-753	8	7.5	377.3	360.9	344.5	331.4	318.2	298.6	275.6	246.1
BMV(F)8-100-1003	10	10	475.7	459.3	433.1	413.4	400.3	377.3	344.5	311.7
BMV(F)8-120-1003	12	10	567.6	547.9	524.9	498.7	482.3	433.1	410.1	377.3
BMV(F)8-140-1503	14	15	662.7	639.8	616.8	587.3	570.9	534.8	482.3	442.9

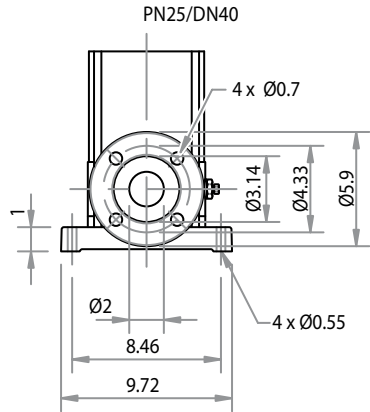
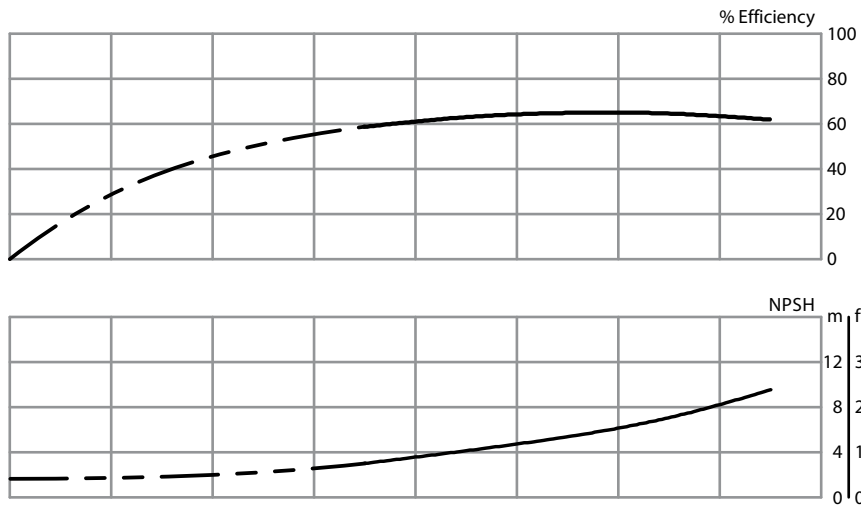
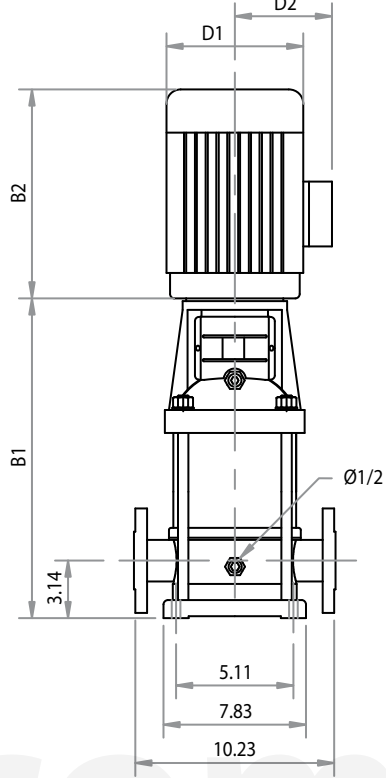
Size and weight

Size (inches)						Weight (lb)
B1	B2	B1+B2	D1	D2		
18	12.4	30.4	7.8	6.5	110.2	
19.2	13.2	32.4	9.1	7.4	127.9	
22.3	16.9	39.3	10.2	8.2	156.5	
24.7	16.9	41.6	10.2	8.2	176.4	
27	16.9	44	10.2	8.2	180.8	
32.9	19.3	52.2	13	10	337.3	

# Curve BMVF10



Installation diagram (inches)



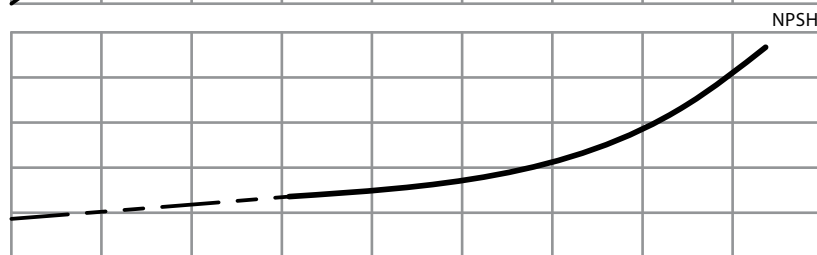
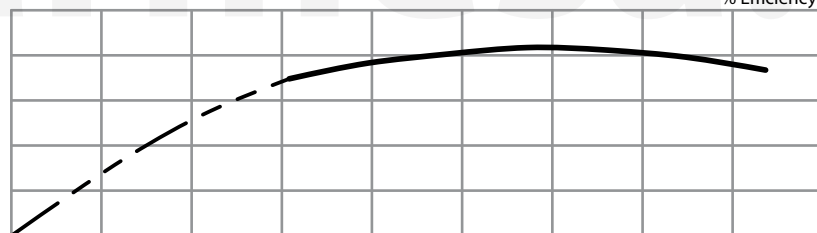
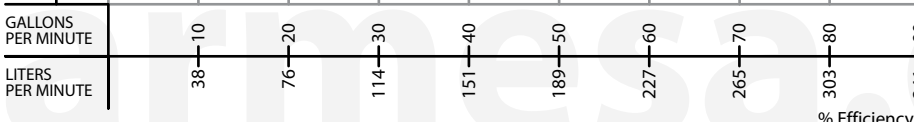
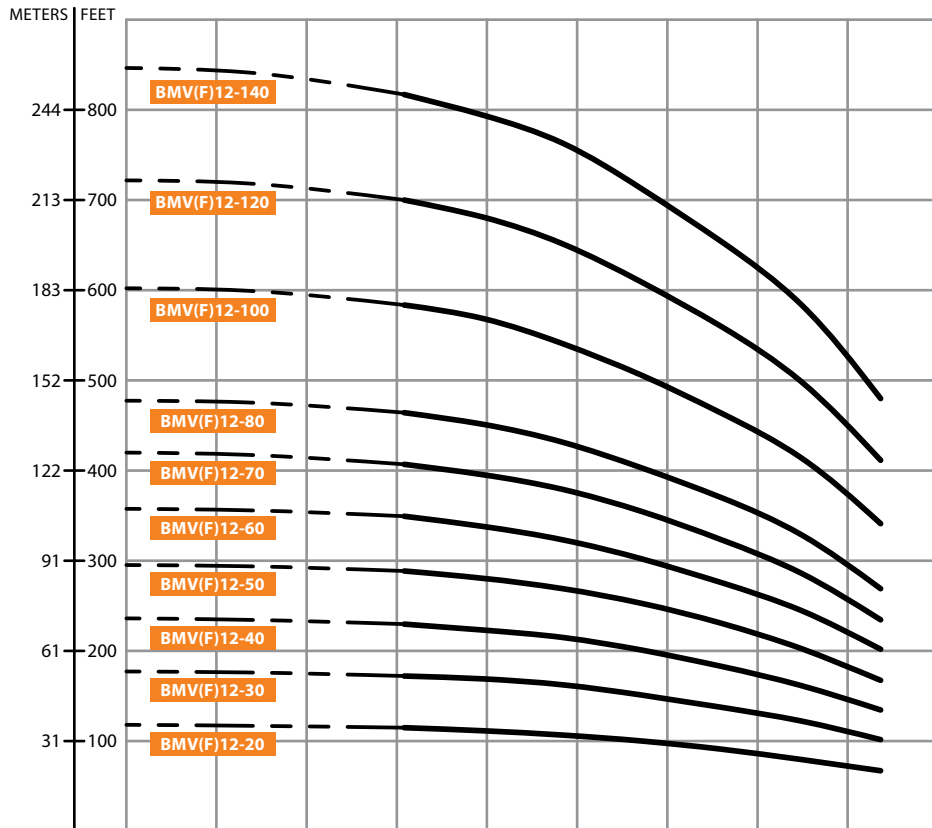
Performance table

MODEL	STAGES	HP	Q (GPM)						
			30.8	39.6	44	48	52.8	57.2	66
BMVF10-60-553	6	6	287.1	272.3	262.5	249.3	234.6	218.2	169
BMVF10-90-753	9	7.5	433.1	410.1	395.3	377.3	354.3	331.4	264.1
BMVF10-120-1003	12	10.0	579.1	547.9	528.2	505.2	472.4	444.6	359.3
BMVF10-150-1503	15	15	723.4	685.7	662.7	633.2	590.5	557.7	451.1
BMVF10-170-1503	17	15	818.6	777.6	751.3	716.9	669.3	631.6	511.8

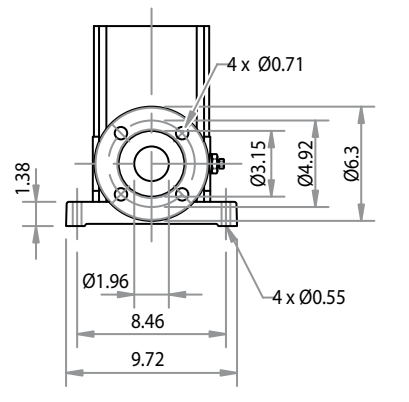
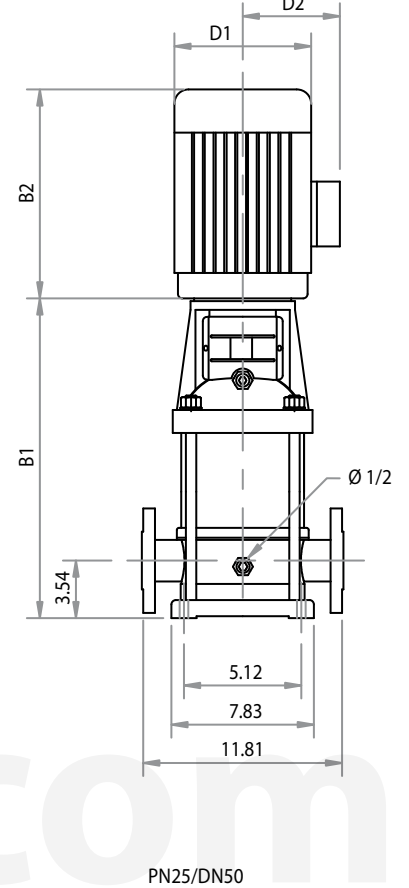
Size and weight

Size (inches)					Weight (lb)
B1	B2	B1+B2	D1	D2	
19.2	14.2	33.3	9.1	7.3	130.1
23.5	15.7	39.3	10.2	8.3	169.8
27	15.7	42.8	10.2	8.3	194
34.1	20.1	54.1	13	10	315.3
36.4	20.1	56.5	13	10	317.5

# Curves BMV(F)12



Installation diagram (inches)



Performance table

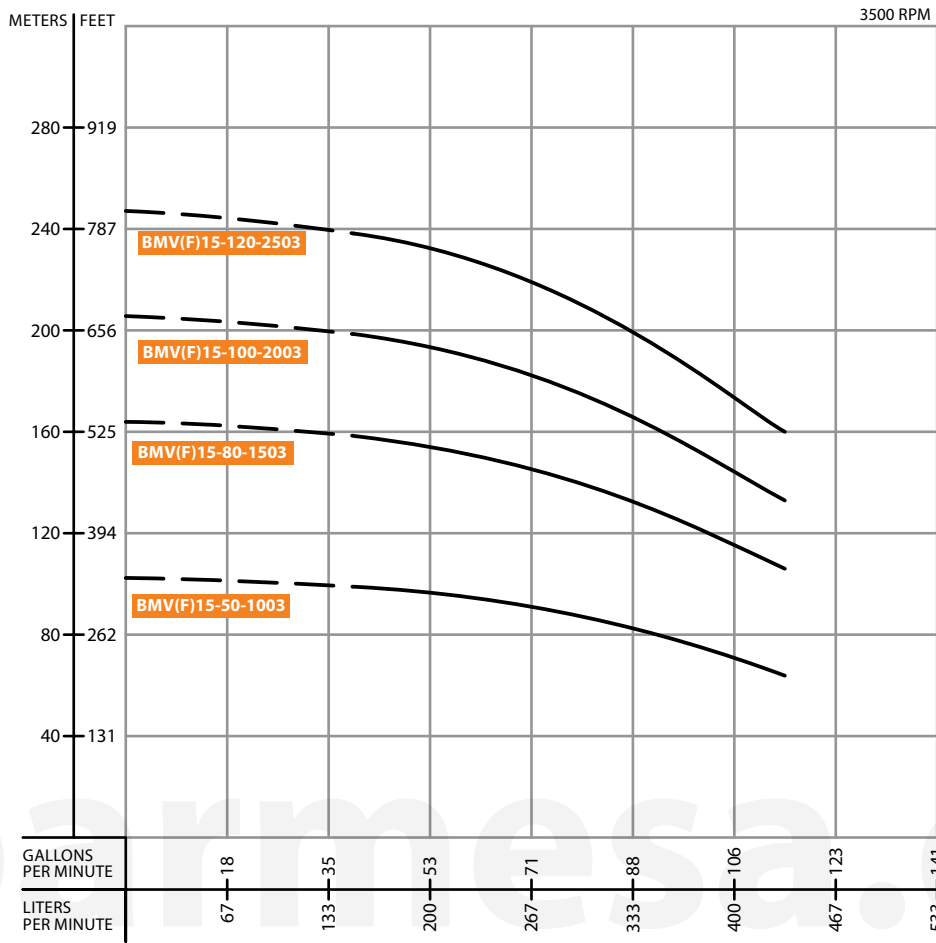
MODEL	STAGES	HP	Q (GPM)							
			30.8	39.6	48.4	52.8	57.2	66	74.8	83.7
BMV(F)12-20-303	2	3	114.8	111.5	106.6	105	100.1	88.6	80.4	67.3
BMV(F)12-30-503	3	5	172.2	169	164	157.5	150.9	136.2	123	101.7
BMV(F)12-40-753	4	7.5	229.7	223.1	214.9	210	201.8	180.4	162.4	134.5
BMV(F)12-50-753	5	7.5	288.7	282.2	269	262.5	252.6	229.7	203.4	167.3
BMV(F)12-60-1003	6	10	351	337.9	324.8	315	301.8	275.6	246.1	200.1
BMV(F)12-70-1003	7	10	406.8	397	380.6	367.5	351	318.2	288.7	232.9
BMV(F)12-80-1503	8	15	462.6	449.5	433.1	419.9	400.3	364.2	331.4	269
BMV(F)12-100-1503	10	15	584	567.6	544.6	528.2	502	459.3	419.9	341.2
BMV(F)12-120-2003	12	20	698.8	682.4	652.9	633.2	607	551.2	505.2	410.1
BMV(F)12-140-2003	14	20	816.9	794	764.4	738.2	708.7	649.6	590.6	475.7

Size and weight

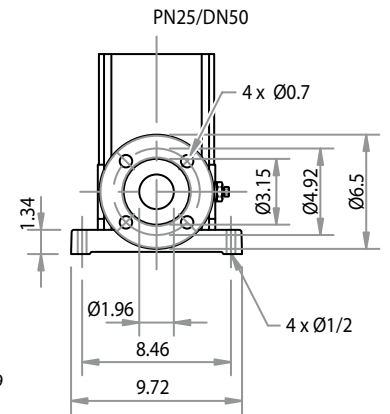
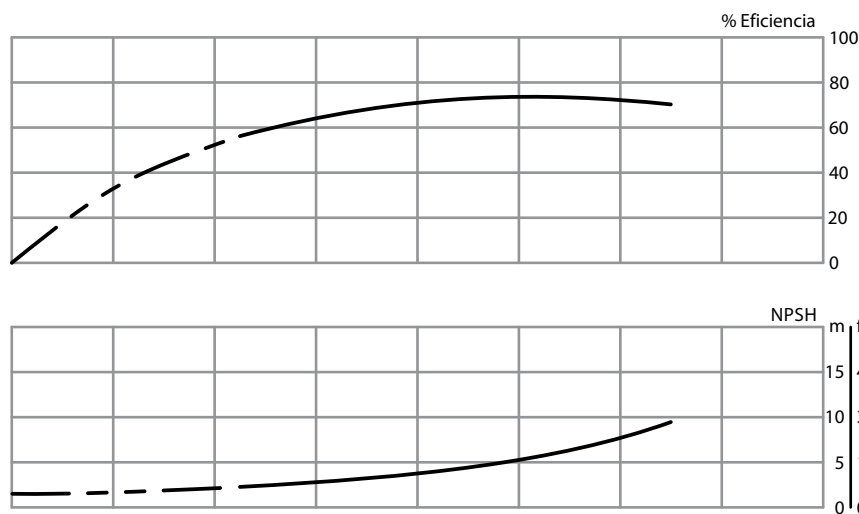
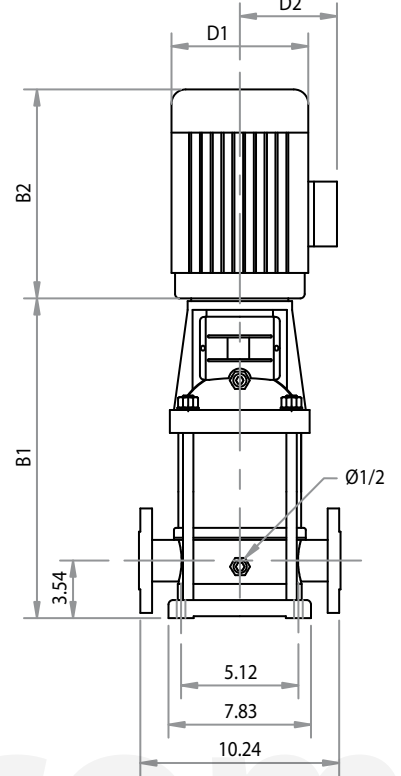
B1	B2	Size (inches)			Weight (lb)
		B1+B2	D1	D2	
14.4	11.4	25.9	7.5	6.1	90.4
16	13.2	29.2	9.1	7.4	123.5
18	16.9	34.9	10.2	8.2	152.1
19.2	16.9	36.1	10.2	8.2	156.5
20.4	16.9	37.3	10.2	8.2	169.8
21.5	16.9	38.5	10.2	8.2	172
26.2	19.3	45.5	13	10	324.1
28.5	19.3	47.8	13	10	332.9
30.9	19.3	50.2	13	10	361.6
33.3	19.3	52.6	13	10	368.2



# Curves BMV(F)15



Installation diagram (inches)



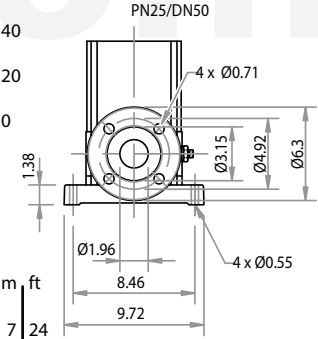
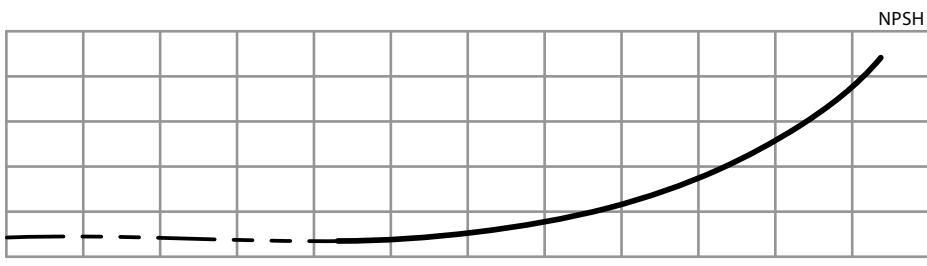
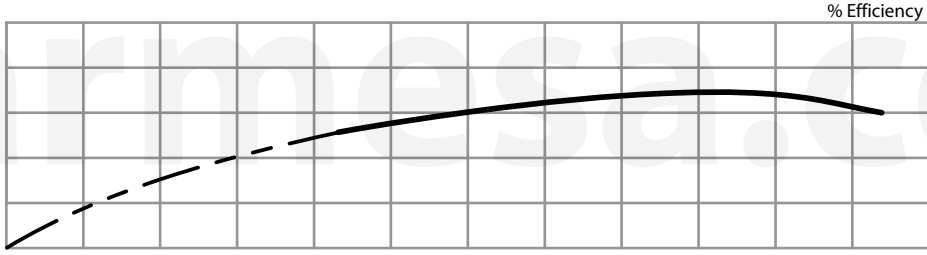
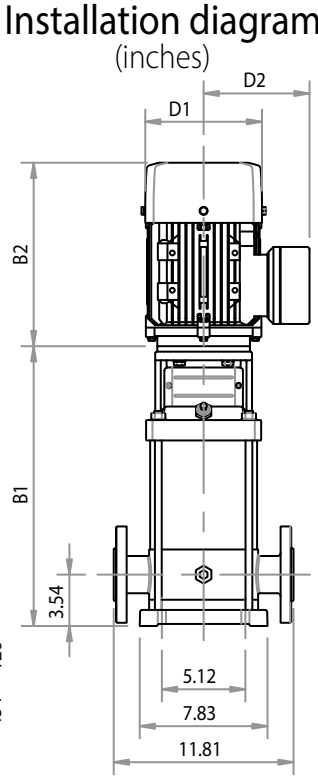
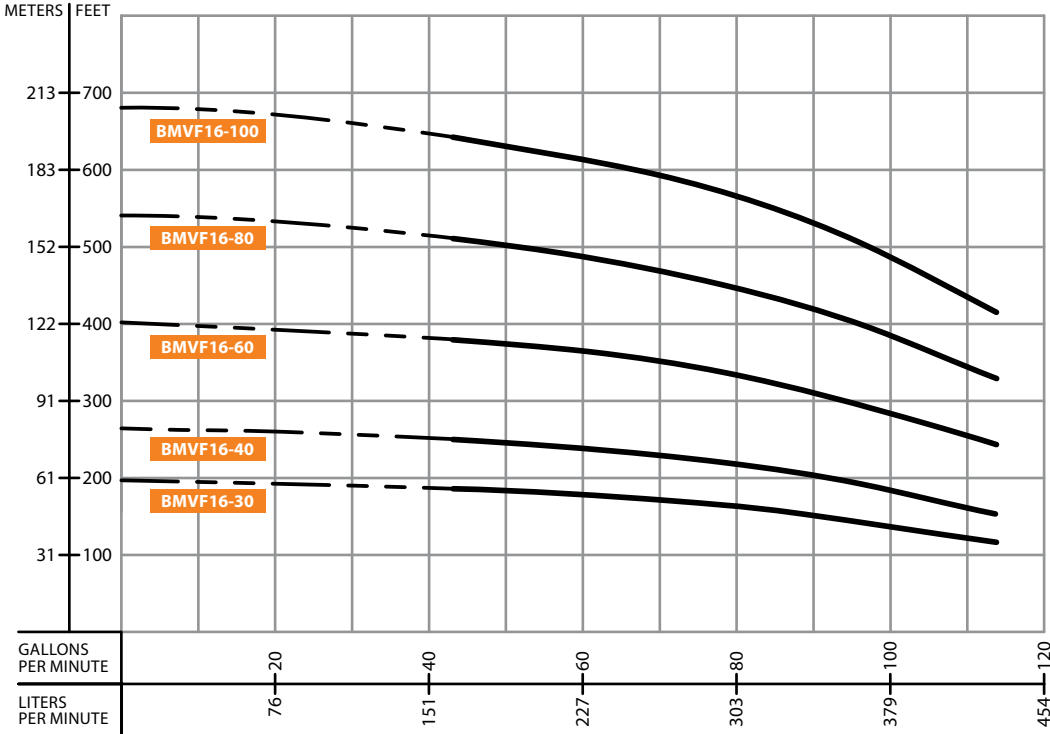
Performance table

MODEL	STAGES	HP	Q (GPM)								
			39.6	48.4	57.2	66	74.8	83.6	92.5	105.7	114.5
BMV(F)15-50-1003	5	10	324.8	315.0	311.7	303.5	293.6	277.2	262.5	232.9	210.0
BMV(F)15-80-1503	8	15	520	510.2	500.3	488.8	474.1	449.5	426.5	378.9	347.8
BMV(F)15-100-2003	10	20.0	651.2	638.1	626.6	611.9	592.2	564.3	533.1	475.7	436.4
BMV(F)15-120-2503	12	25	780.8	767.7	753.0	734.9	711.9	680.8	643	574.1	524.9

Size and weight

Size (inches)					Weight (lb)
B1	B2	B1+B2	D1	D2	
23.9	15.7	39.6	10.2	8.3	180.8
32.7	20.1	52.8	13.0	10	343.9
36.2	20.1	56.3	13.0	10	377.0
39.8	22	61.8	13.0	10	423.3

# Curve BMVF16



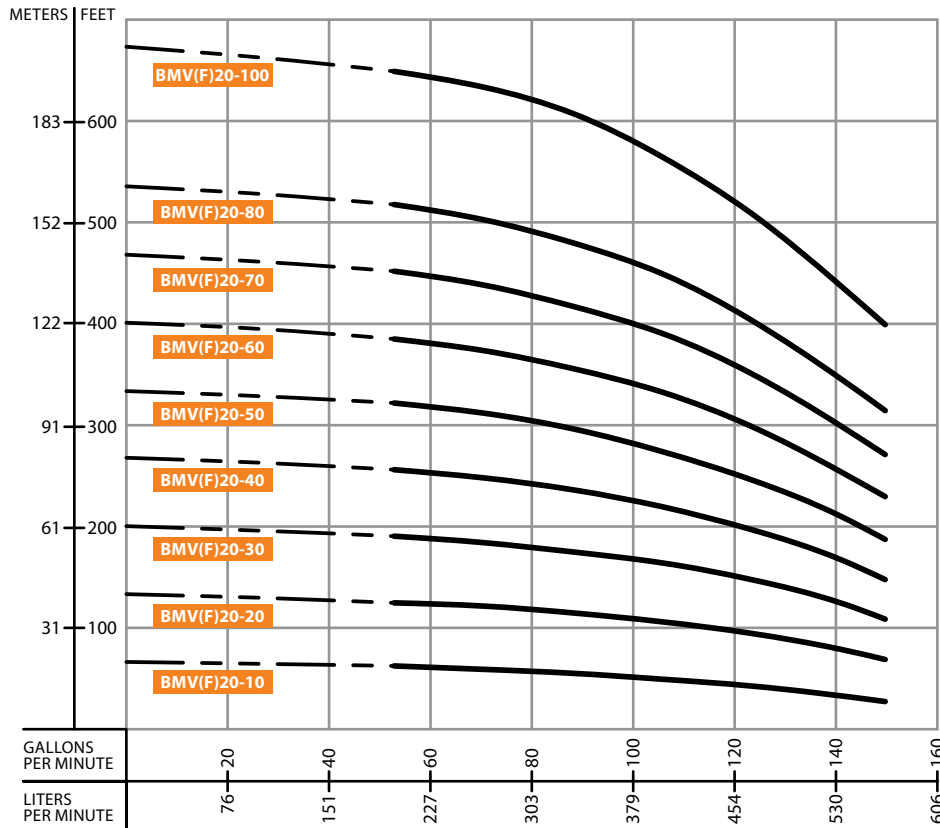
## Performance table

MODEL	STAGES	HP	Q (GPM)								
			44	52.8	61.6	70.4	79.3	88.1	96.9	105.7	114.5
BMVF16-30-753	3	7.5	187	183.7	180.4	177.2	167.3	157.5	147.6	131.2	118.1
BMVF16-40-1003	4	10	249.3	246.1	239.5	236.2	223.1	210	196.9	177.2	160.8
BMVF16-60-1503	6	15	377.3	370.7	364.2	354.3	334.6	315	298.6	269	246.1
BMVF16-80-2003	8	20	508.5	498.7	485.6	472.4	449.5	426.5	400.3	364.2	331.4
BMVF16-100-2503	10	25	646.3	629.9	613.5	593.8	570.9	541.3	502	456	416.7

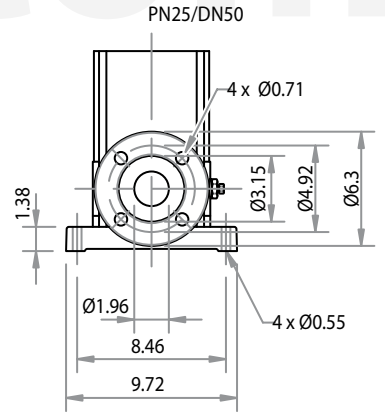
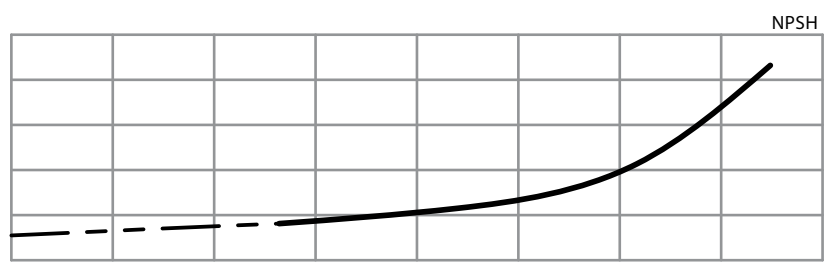
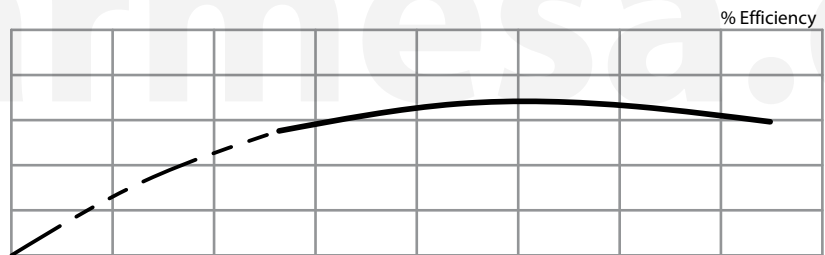
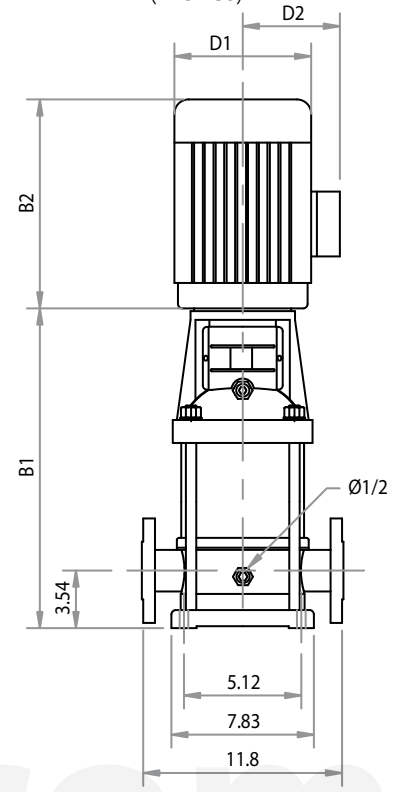
## Size and weight

B1	B2	B1+B2	Size (inches)		Weight (lb)
			D1	D2	
18.6	16.9	35.5	10.2	8.2	149.9
20.4	16.9	37.3	10.2	8.2	165.3
27.4	19.3	46.7	13	10	330.7
30.9	19.3	50.2	13	10	359.4
34.4	21.7	56.1	13	10	410.1

# Curves BMV(F)20



Installation diagram (inches)



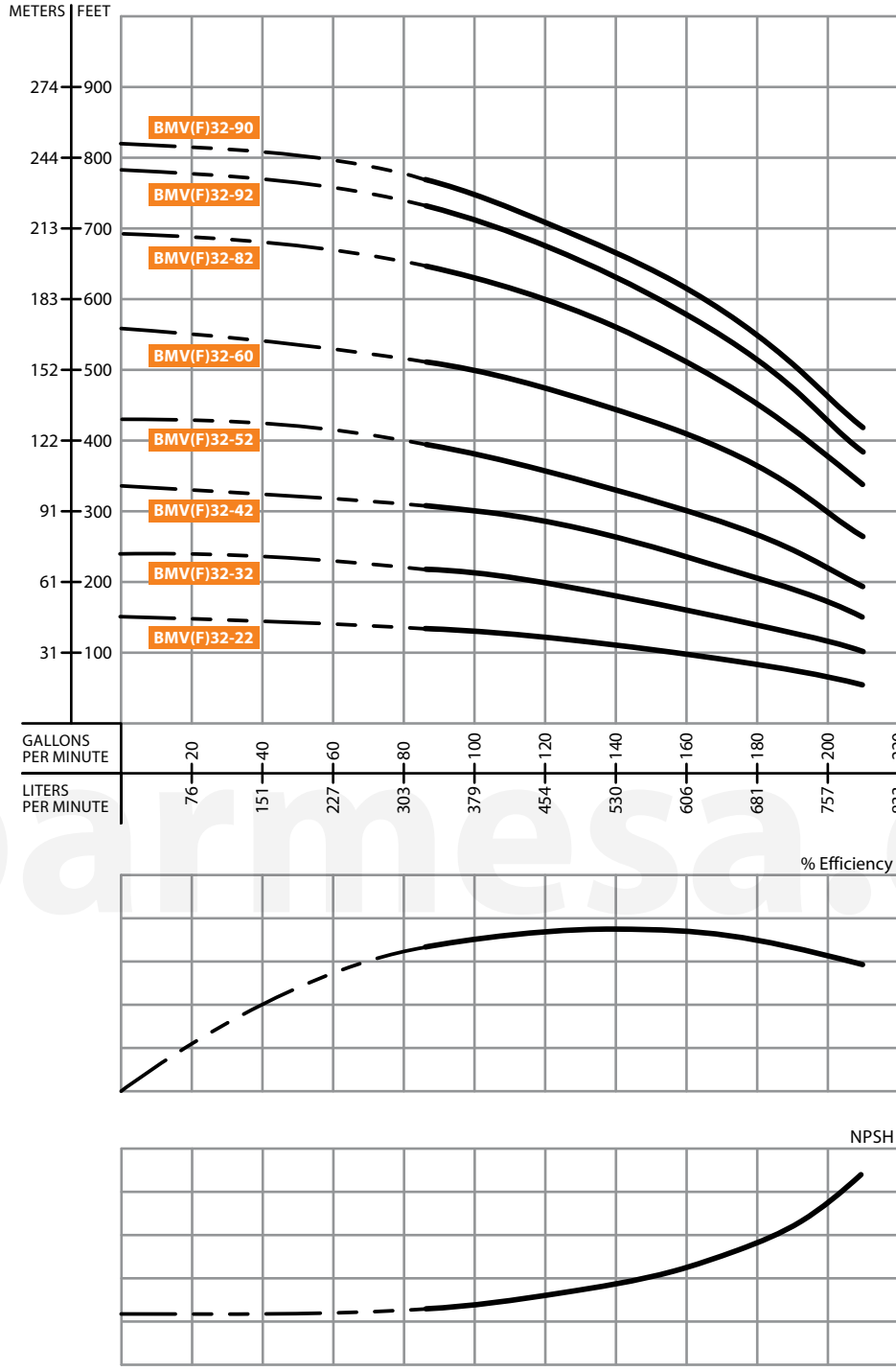
## Performance table

MODEL	STAGES	HP	Q (GPM)						
			52.8	70.4	88.1	105.7	123.3	140.9	149.7
BMV(F)20-10-303	1	3	62.3	59.1	55.8	49.2	42.7	32.8	27.9
BMV(F)20-20-503	2	5	124.7	121.4	114.8	105	95.1	78.7	68.9
BMV(F)20-30-753	3	7.5	190.3	183.7	173.9	164	147.6	124.7	108.3
BMV(F)20-40-1003	4	10	255.9	246.1	236.2	219.8	196.9	167.3	147.6
BMV(F)20-50-1503	5	15	321.5	308.4	295.3	278.9	246.1	210	187
BMV(F)20-60-1503	6	15	387.1	370.7	354.3	334.6	298.6	252.6	229.7
BMV(F)20-70-2003	7	20	452.8	436.4	416.7	390.4	351	298.6	272.3
BMV(F)20-80-2003	8	20	518.4	502	479	449.5	403.5	344.5	315
BMV(F)20-100-2503	10	25	649.6	633.2	607	564.3	508.5	436.4	400.3

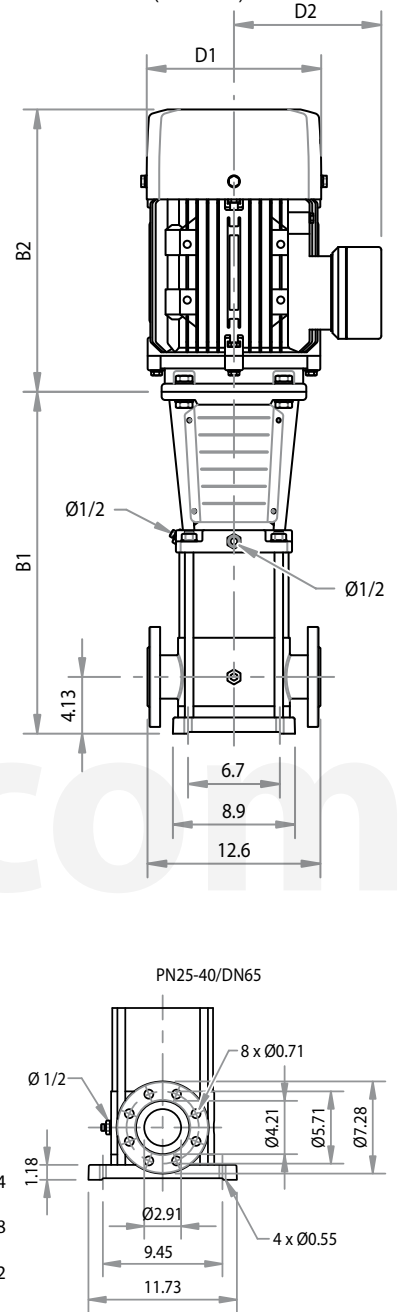
## Size and weight

B1	B2	B1+B2	Size (inches)		Weight (lb)
			D1	D2	
15.6	11.4	27	7.5	6.1	90.4
16	13.2	29.2	9.1	7.4	123.5
18.6	16.9	35.5	10.2	8.2	152.1
20.4	16.9	37.3	10.2	8.2	174.2
25.6	19.3	44.9	13	10	326.3
27.4	19.3	46.7	13	10	330.7
29.1	19.3	48.4	13	10	357.1
30.9	19.3	50.2	13	10	359.4
34.4	21.7	56.1	13	10	412.3

# Curves BMV(F)32



Installation diagram (inches)



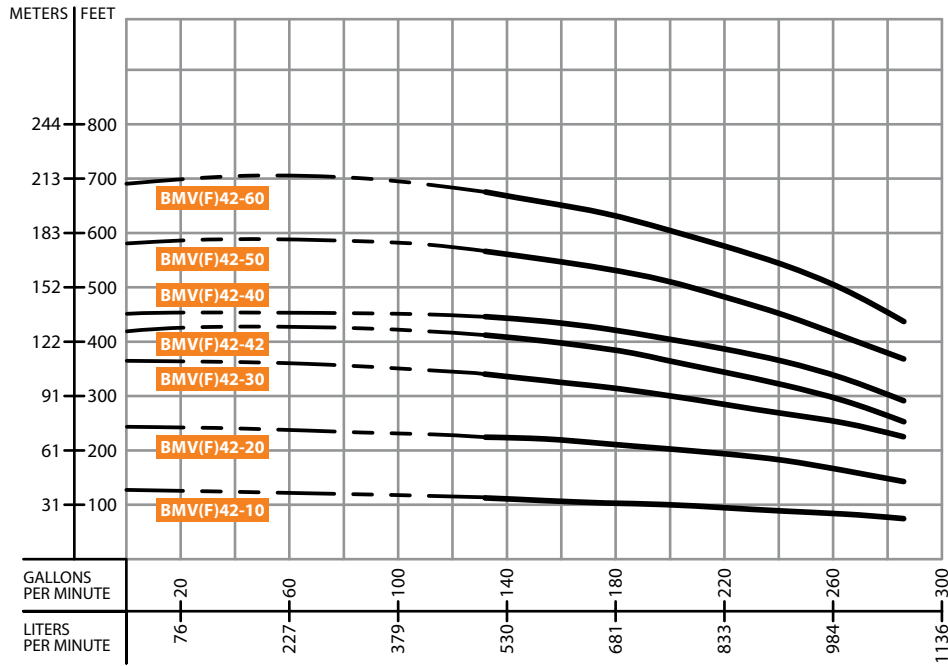
Performance table

MODEL	STAGES	HP	Q (GPM)							
			88.1	105.7	123.3	140.9	158.5	176.1	193.7	211.3
			H (ft)							
BMV(F)32-22-753	2	7.5	134.5	131.2	124.7	114.8	101.7	88.6	72.2	55.8
BMV(F)32-32-1003	3	10	219.8	210	200.1	187	170.6	150.9	128	101.7
BMV(F)32-42-1503	4	15	308.4	298.6	285.4	265.7	239.5	213.3	183.7	147.6
BMV(F)32-52-2003	5	20	390.4	377.3	357.6	334.6	308.4	275.6	239.5	193.6
BMV(F)32-60-2503	6	25	508.5	492.1	472.4	446.2	413.4	374	328.1	265.7
BMV(F)32-82-3003	8	30	643	623.4	597.1	564.3	521.7	469.2	406.8	334.6
BMV(F)32-92-4003	9	40	731.6	708.7	675.9	636.5	587.3	531.5	465.9	383.9
BMV(F)32-90-4003	9	40	767.7	741.5	708.7	669.3	620.1	564.3	498.7	416.7

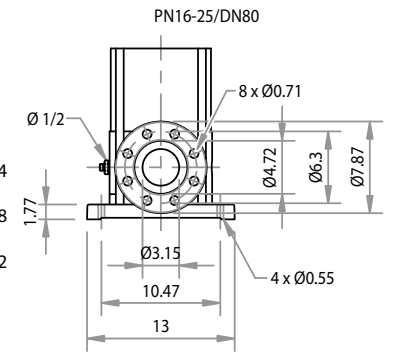
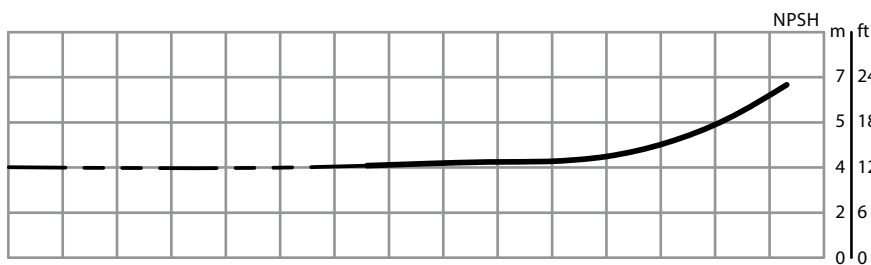
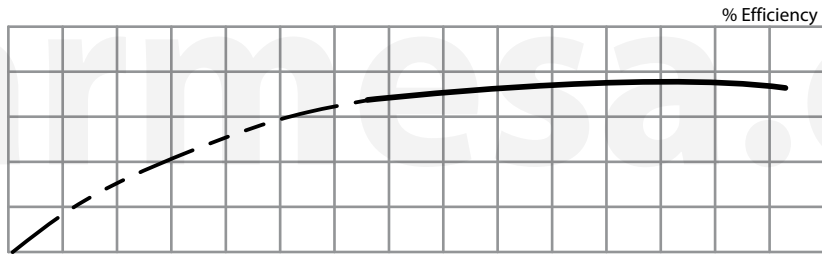
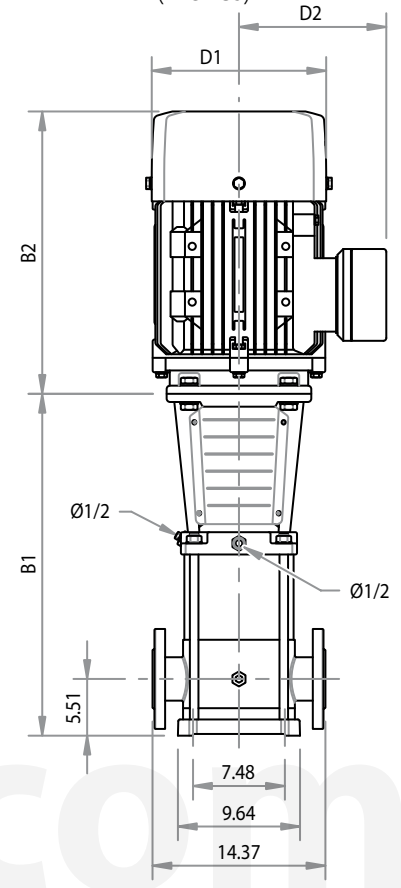
Size and weight

Size (inches)					Weight (lb)
B1	B2	B1+B2	D1	D2	
22.6	16.9	39.6	10.2	8.2	209.4
25.4	19.3	44.7	13	10	229.3
32.3	19.3	51.6	13	10	388
35	19.3	54.3	13	10	421.1
37.8	21.7	59.4	13	10	476.2
43.3	23.2	66.5	15.7	12.2	571
46.1	26	72	15.7	12.2	703.3
46.1	26	72	15.7	12.2	703.3

# Curves BMV(F)42



Installation diagram (inches)



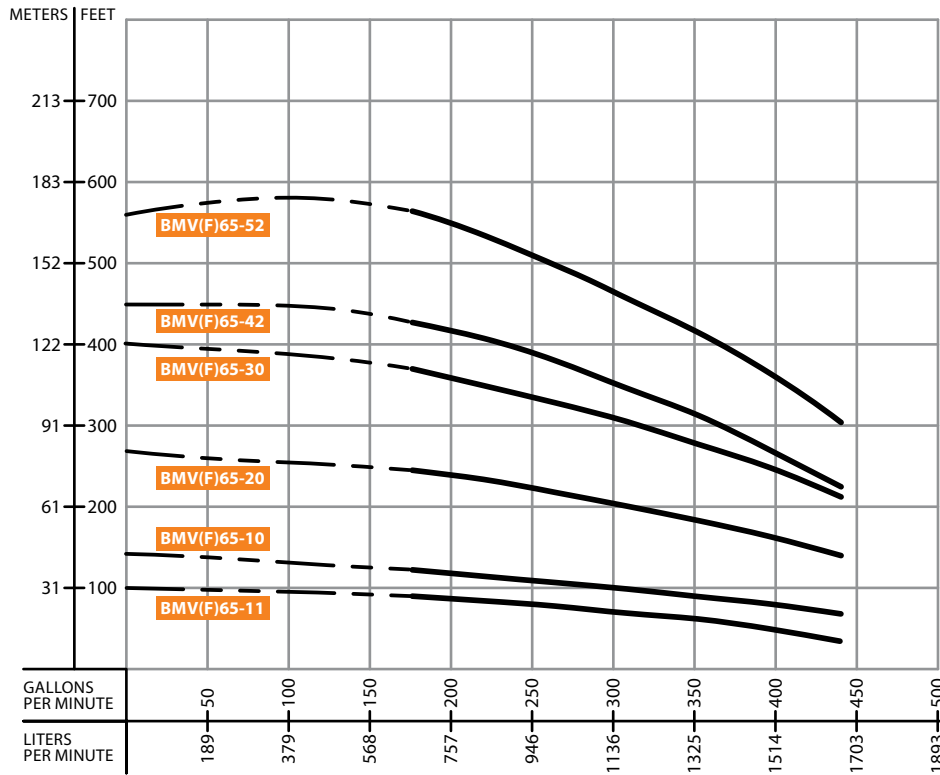
## Performance table

MODEL	STAGES	HP	Q (GPM)								
			132.1	154.1	176.1	184.9	198.1	220.1	242.2	264.2	286.2
BMV(F)42-10-1503	1	10	111.5	108.3	105	103.3	98.4	95.1	88.6	82	72.2
BMV(F)42-20-2003	2	20	226.4	219.8	213.3	206.7	200.1	193.6	180.4	164	144.4
BMV(F)42-30-2503	3	25	334.6	328.1	318.2	311.7	301.8	288.7	269	249.3	223.1
BMV(F)42-42-3003	4	30	410.1	397	387.1	377.3	367.5	344.5	321.5	292	255.9
BMV(F)42-40-4003	4	40	446.2	436.4	423.2	413.4	403.5	383.9	367.5	334.6	292
BMV(F)42-50-4003	5	40	561	544.6	528.2	518.4	505.2	475.7	452.8	413.4	367.5
BMV(F)42-60-5003	6	50	672.6	656.2	633.2	623.4	610.2	577.4	544.6	498.7	439.6

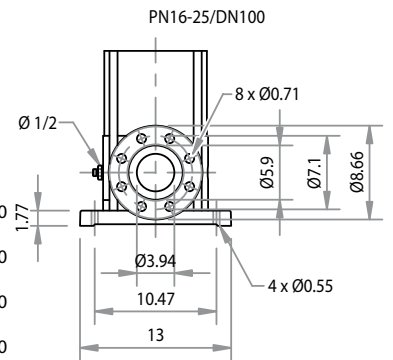
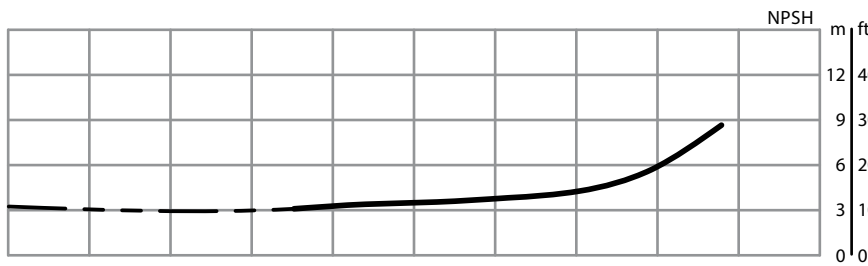
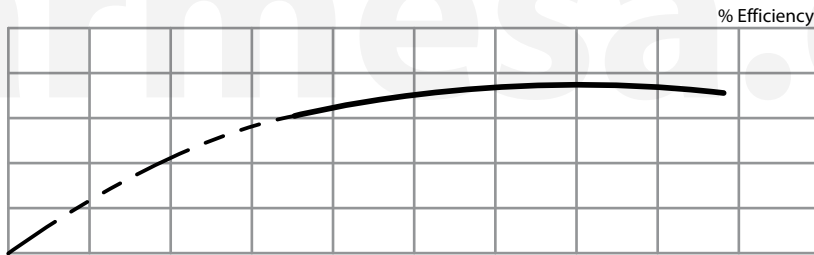
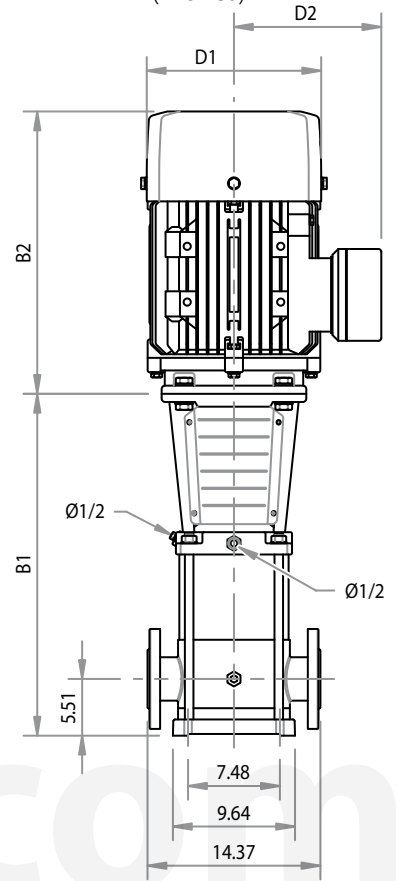
## Size and weight

Size (inches)					Weight (lb)
B1	B2	B1+B2	D1	D2	
22.1	16.9	39	10.2	8.2	233.7
29.4	19.3	48.7	13	10	414.5
32.6	21.7	54.3	13	10	469.6
35.7	23.2	59	14.2	11.2	557.8
35.7	26	61.7	15.7	12.2	681.2
38.9	26	64.9	15.7	12.2	690
42	26	68	15.7	12.2	749.6

# Curves BMV(F)65



Installation diagram (inches)



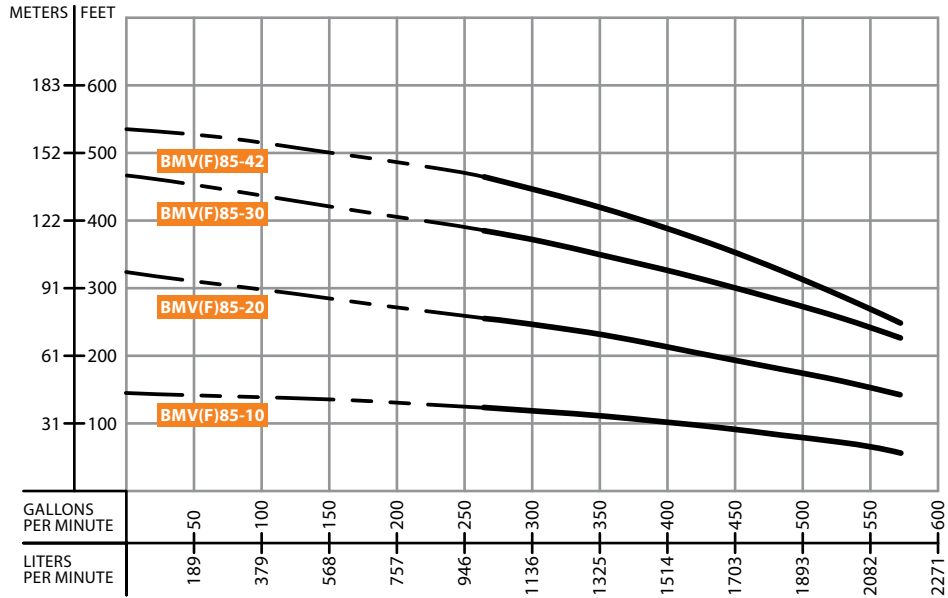
Performance table

MODEL	STAGES	HP	Q (GPM)							
			176.1	220.1	264.2	286.2	308.2	352.2	396.3	440.3
BMV(F)65-11-1003	1	10	85.3	82	75.5	72.2	68.9	59.1	45.9	32.8
BMV(F)65-10-1503	1	15	121.4	114.8	108.3	105	101.7	91.9	78.7	68.9
BMV(F)65-20-3003	2	30	242.8	236.2	219.8	210	203.4	187	167.3	137.8
BMV(F)65-30-4003	3	40	367.5	354.3	328.1	315	305.1	282.2	252.6	213.3
BMV(F)65-42-5003	4	50	426.5	406.8	377.3	360.9	337.9	308.4	272.3	216.5
BMV(F)65-52-6003	5	60	564.3	531.5	495.4	472.4	449.5	413.4	367.5	298.6

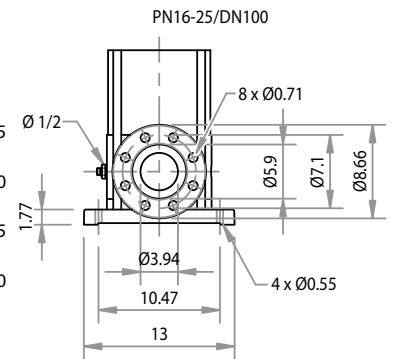
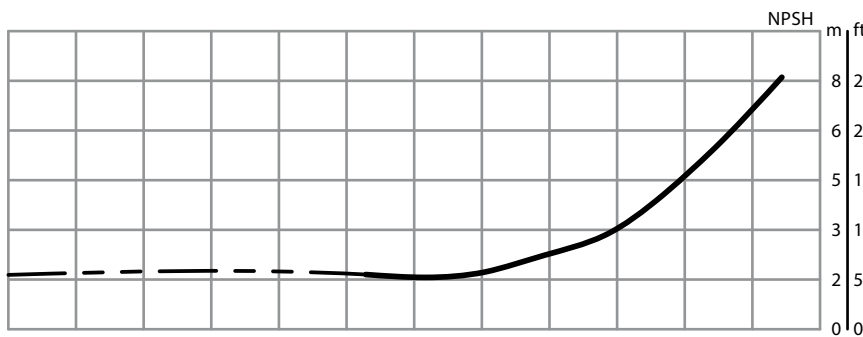
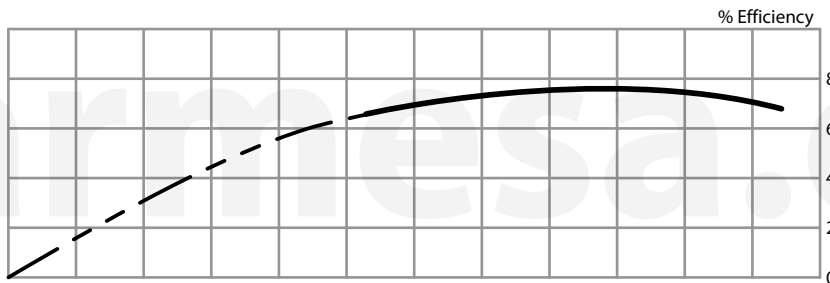
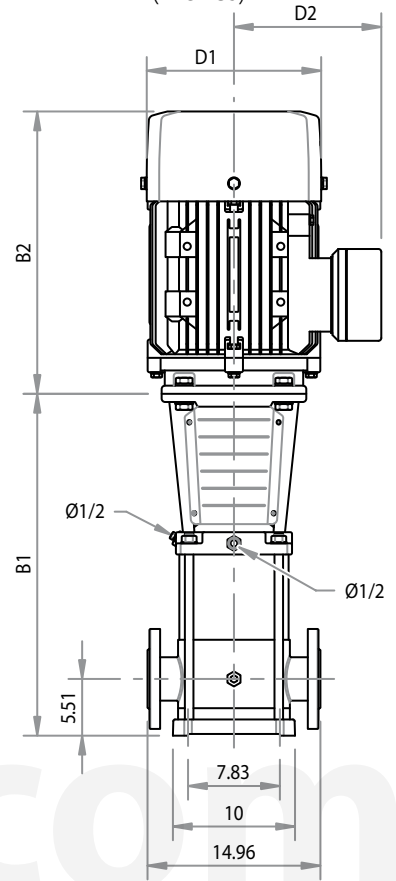
Size and weight

Size (inches)					Weight (lb)
B1	B2	B1+B2	D1	D2	
22.1	16.9	39	10.2	8.2	240.3
26.4	19.3	45.7	13	10	390.2
29.7	23.2	52.9	14.2	11.2	546.7
32.9	26	58.9	15.7	12.2	690
36.2	26	62.2	15.7	12.2	740.8
39.4	27.6	67	18.1	13.4	886.3

# Curves BMV(F)85



Installation diagram (inches)



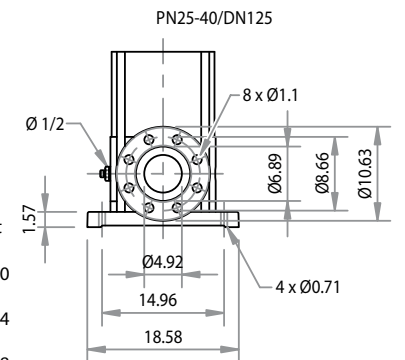
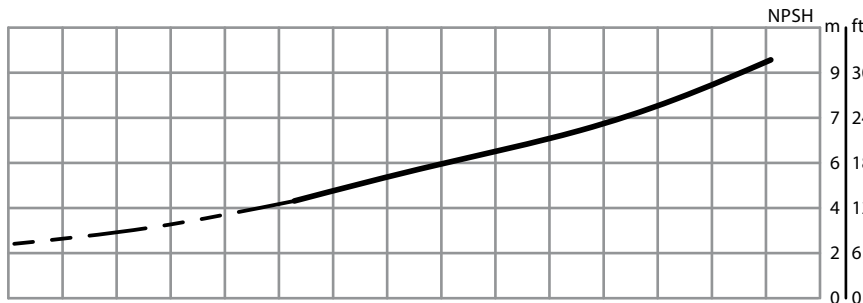
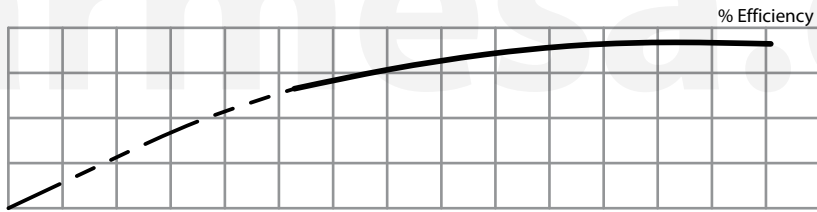
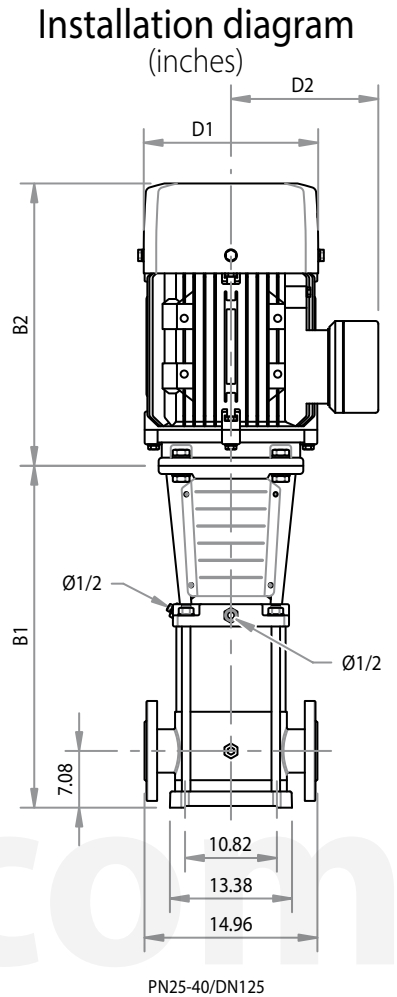
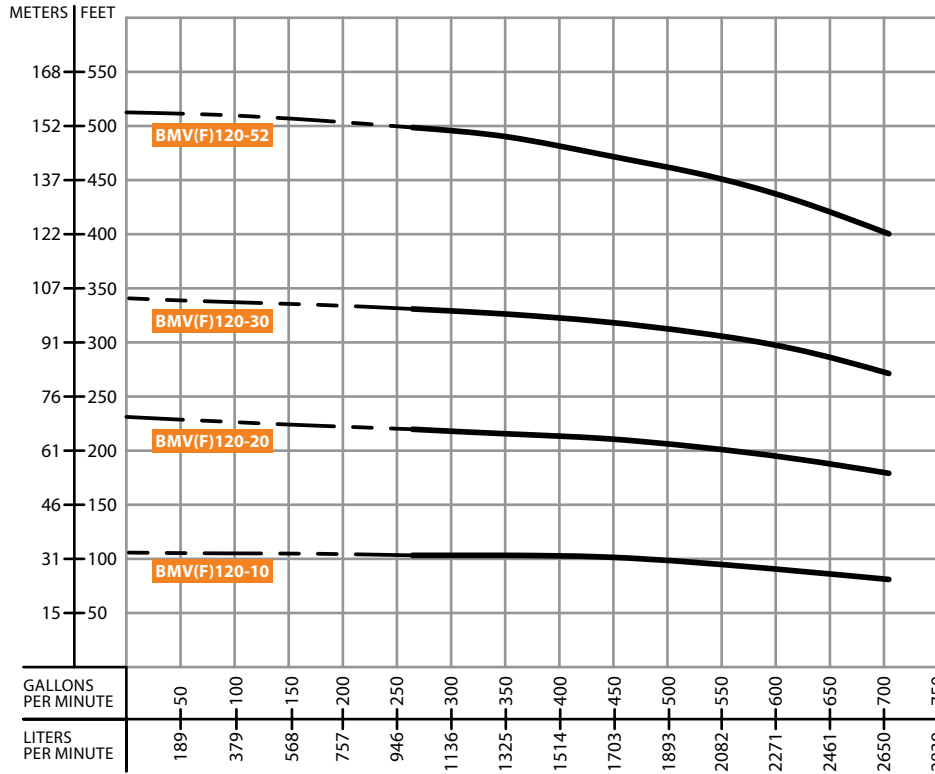
## Performance table

MODEL	STAGES	HP	Q (GPM)								
			264.2	308.2	352.2	374.2	396.3	440.3	484.3	528.3	572.4
BMV(F)85-10-2003	1	20	118.1	114.8	108.3	101.7	98.4	95.1	85.3	75.5	59.1
BMV(F)85-20-4003	2	40	249.3	239.5	226.4	216.5	210	196.9	183.7	170.6	144.4
BMV(F)85-30-6003	3	60	380.6	364.2	344.5	334.6	318.2	305.1	288.7	259.2	226.4
BMV(F)85-42-6003	4	60	462.6	442.9	419.9	406.8	387.1	357.6	334.6	292	236.2

## Size and weight

Size (inches)					Weight (lb)
B1	B2	B1+B2	D1	D2	
22.5	19.3	41.8	13	10	414.5
30.4	26	56.4	15.7	12.2	670.2
34.1	27.6	61.6	18.1	13.4	864.2
37.7	27.6	65.2	18.1	13.4	873

# Curves BMV(F)120



## Size and weight

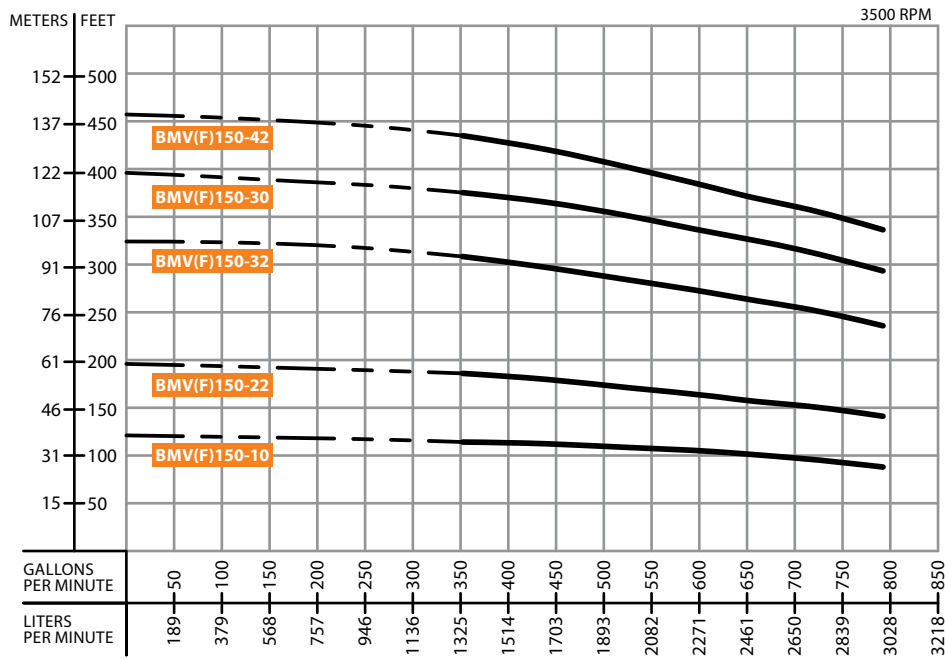
Size (inches)					Weight (lb)
B1	B2	B1+B2	D1	D2	
33.1	21.7	54.7	13	10	551.2
39.4	26	65.4	15.7	12.2	837.8
46.9	30.3	77.2	20.1	14.6	1201.5
59.4	33.3	92.7	22.8	16.1	1521.2

## Performance table

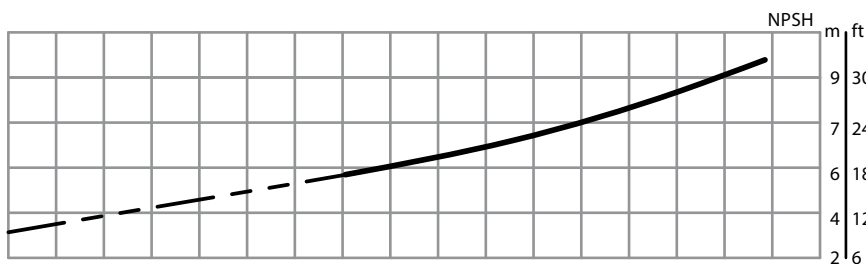
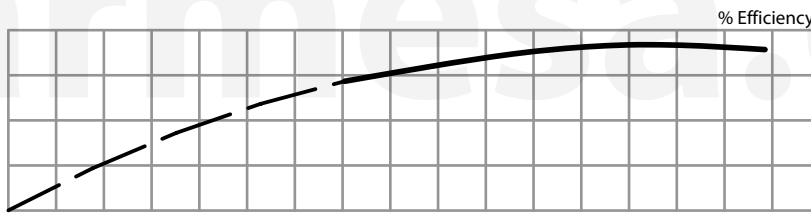
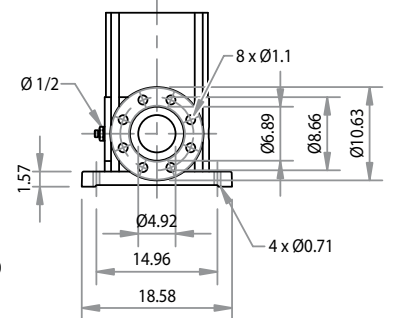
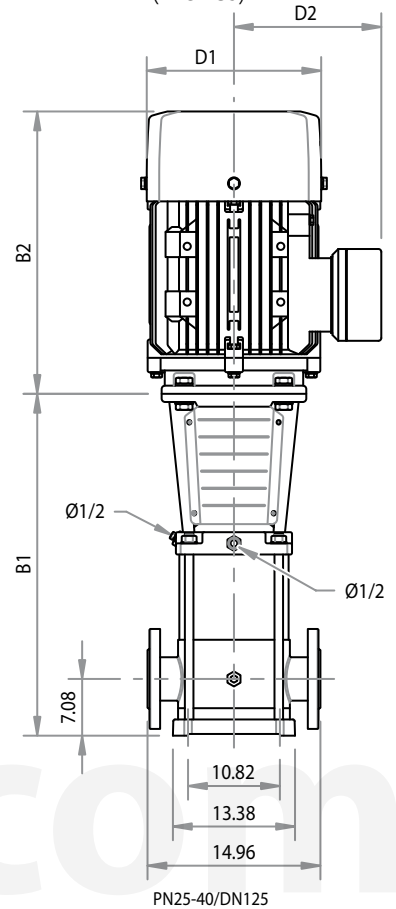
MODEL	STAGES	HP	Q (GPM)										
			264.2	308.2	352.2	396.3	440.3	484.3	528.3	572.4	616.4	660.4	704.5
BMV(F)120-10-2503	1	25	101	100.7	100.7	100.1	99.4	96.8	94.5	90.6	86.6	83.3	80.1
BMV(F)120-20-5003	2	50	217.5	216.5	215.6	213.3	211.3	206.7	203.4	199.1	195.5	187	179.1
BMV(F)120-30-7503	3	75	329.1	328.1	326.1	322.5	319.2	313.3	308.4	301.8	295.3	283.1	271.3
BMV(F)120-52-10003	5	100	498.7	495.4	491.1	482.3	472.4	464.2	456	444.6	433.1	416.7	400.3



# Curves BMV(F)150



Installation diagram (inches)



## Size and weight

Size (inches)					Weight (lb)
B1	B2	B1+B2	D1	D2	
33.1	23.2	56.3	14.2	11.2	617.3
39.4	26	65.4	15.7	12.2	793.7
46.9	30.3	77.2	20.1	14.6	1201.5
46.9	33.3	80.1	22.8	16.1	1466.1
53.1	33.3	86.4	22.8	16.1	1499.1

## Performance table

MODEL	STAGES	HP	Q (GPM)										
			352.2	396.3	440.3	484.3	528.3	572.4	616.4	660.4	704.5	748.5	792.5
			H (ft)										
BMV(F)150-10-3003	1	30	114.8	113.2	111.5	110.2	108.3	106	104	100.7	97.1	91.9	88.6
BMV(F)150-22-4003	2	40	187	182.1	173.9	170.6	168.3	164	160.8	157.5	154.2	147.6	141.1
BMV(F)150-32-7503	3	75	308.4	301.8	296.9	290	283.5	274.9	265.7	262.5	255.9	247	237.9
BMV(F)150-30-10003	3	100	375.3	370.7	365.2	357.6	349.4	341.2	333	324.8	315	305.1	293.3
BMV(F)150-42-10003	4	100	436.4	427.5	418.6	408.8	399.3	388.1	377.3	369.1	360.9	348.8	336.3



[www.barmesapumps.com](http://www.barmesapumps.com)

© Barmesa Pumps LLC. All rights reserved.