

SUBMERSIBLE STAINLESS VORTEX SEWAGE PUMP

Model: **2BSV-DS**
0.5 - 1 HP @ 3450 RPM
Solids handling: 1.35" (35 mm)



Stainless steel 316 construction.

DISCHARGE

2" (5.08 cm) NPT flange

LIQUID TEMPERATURE

104 °F (40 °C)

PUMP CASING

316 series stainless steel

MOTOR COVER

316 series stainless steel

SEAL PLATE

316 series stainless steel

IMPELLER

Design: 8 vane, semi-open Vortex.

Material: 316 series stainless steel

SHAFT

316 series stainless steel

HANDLE

Nylon 6

MAX. SUBMERGENCE

32.8 ft (10 meters)

HARDWARE

316 series stainless steel

GASKETS

Viton®

SEAL

Design: double, mechanical, oil filled chamber.

Material: carbon-ceramic upper seal, silicon carbide lower seal, Viton® elastomers, stainless steel spring.

MOTOR

For continuous dry running, operates at 115/230/460V, 1 & 3-phase, 3450 RPM, 60 Hz. Class B, IP68 protection, with capacitor integrated in motor.

BEARINGS

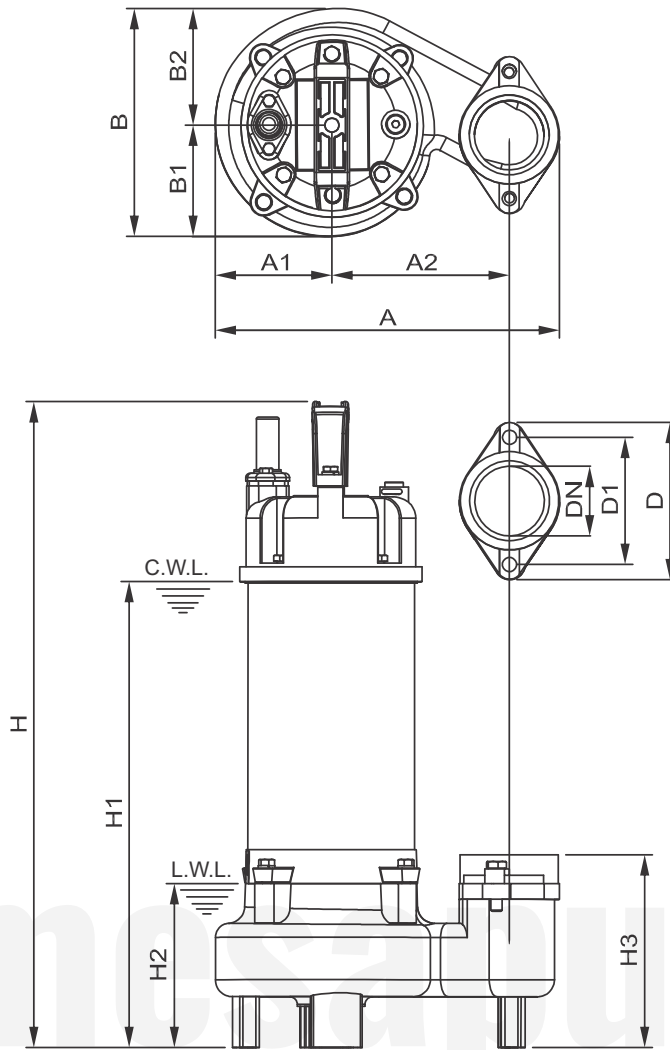
Ball type, lubricated and sealed for 60,000 hours operation. Designed for radial and axial loads.

CORD ENTRY

Includes 33 feet of special neoprene cable. The cable is sealed preventing from moisture to leak into the motor housing.

OPTIONAL EQUIPMENT

316 stainless steel slide rail coupling



MODEL	HP	VOLTS	PHASE	MAX. AMPS	Ø DISCHARGE	DISCHARGE MAX. (m)	MAX. FLOW (GPM)	CORD (ft)	SPH SLD HNDLG
2BSV-051DS	0.5	115	1	8	2"	11	88	33	1.35"
2BSV-054DS	0.5	460	3	1.4	2"	11	88	33	1.35"
2BSV-101DS	1	115	1	12	2"	14	118	33	1.35"
2BSV-102DS	1	230	1	6	2"	14	118	33	1.35"
2BSV-103DS	1	230	3	4	2"	14	118	33	1.35"
2BSV-104DS	1	460	3	2	2"	14	118	33	1.35"

- Built-in capacitor for single phase motors.

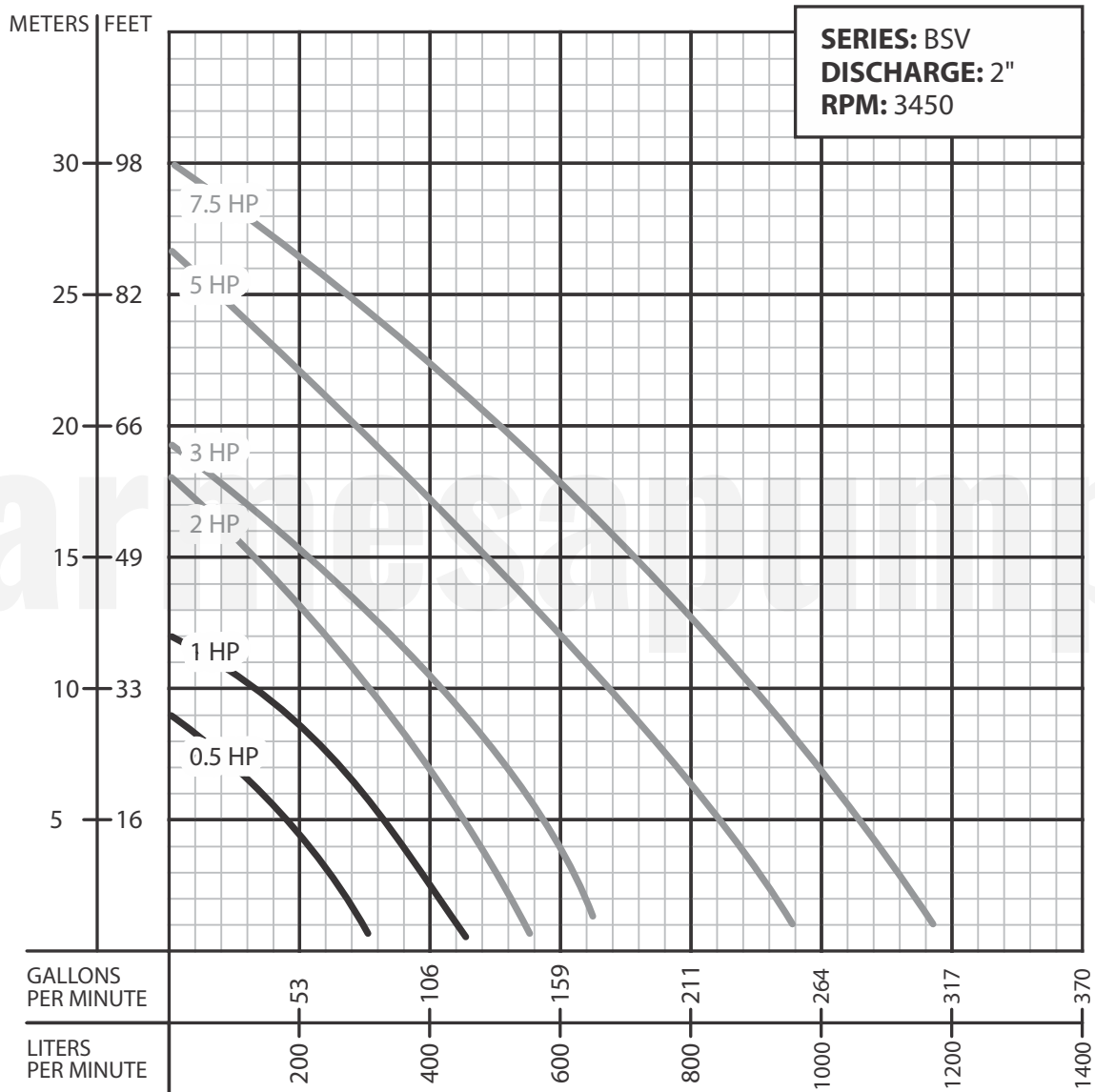
MODEL	A	A1	A2	B	B1	B2	D	D1	DN	H	H1	H2	H3	WT 1PH	WT 3PH
2BSV-051DS	9	3	4.7	5.9	2.8	3.2	4.3	3.5	2	16.7	11.7	4.6	5.4	28.6	28.6
27.3															
2BSV-101DS	9	3	4.7	5.9	2.8	3.2	4.3	3.5	2	17.9	12.9	4.6	5.4	33.9	33.9
33.9															
34.5															
34.5															

- Dimensions in inches.

* WT = Weight in pounds, without cable.

IMPORTANT!

1. Never use this pump to handle explosive liquids.
2. This pump is not approved to be used in swimming pools, recreational installations or any application where human contact may be common.
3. Pump may be operated "dry" for extended periods without damage to motor and/or seals.



Testing is performed with water specific gravity of 1.0 @ 68 °F (20 °C); other fluids may vary performance.