

# SUBMERSIBLE SOLIDS HANDLING X-PROOF PUMP

Series: 6XBSE20044ADS

20 HP / 1750 RPM

Discharge: 6"

Spherical solids handling: 4"



Representative image.

## DISCHARGE

6", 125 lb, flange horizontal.

## LIQUID TEMPERATURE

104° F (40° C) continuous.

## VOLUTE

Cast iron ASTM A-48 class 30.

## WEARING RING

Bronze.

## MOTOR HOUSING

Cast iron ASTM A-48 class 30.

## SEAL PLATE

Cast iron ASTM A-48 class 30.

## IMPELLER

**Design:** 1 vane, closed, with vanes on back side.

**Material:** cast iron ASTM A-48 class 30.

## SHAFT

416 series stainless steel.

## SQUARE RINGS

Buna-N.

## PAINT

Air dry enamel, water based.

## DIAPHRAGM

Buna-N.

## HARDWARE

300 series stainless steel.

## SEAL

**Design:** double, mechanical, oil filled chamber.

**Material:** silicon carbide outboard seal, carbon ceramic inboard seal, Buna-N elastomer and stainless steel hardware.

## CORD ENTRY

25 ft of neoprene cord 2/4 G, sealed against moisture.

## BEARINGS

**Upper:** ball, single row, oil lubricated, for radial load.

**Lower:** ball, single row, oil lubricated, for radial and thrust load.

## MOTOR

NEMA B, three phase, 460 volts, 60 Hz, 1750 RPM, air cooled. Explosion Proof, Class 1, Division 1, Group C & D, insulation Class F. Requires overload protection to be included in control panel.

## MOISTURE SENSOR

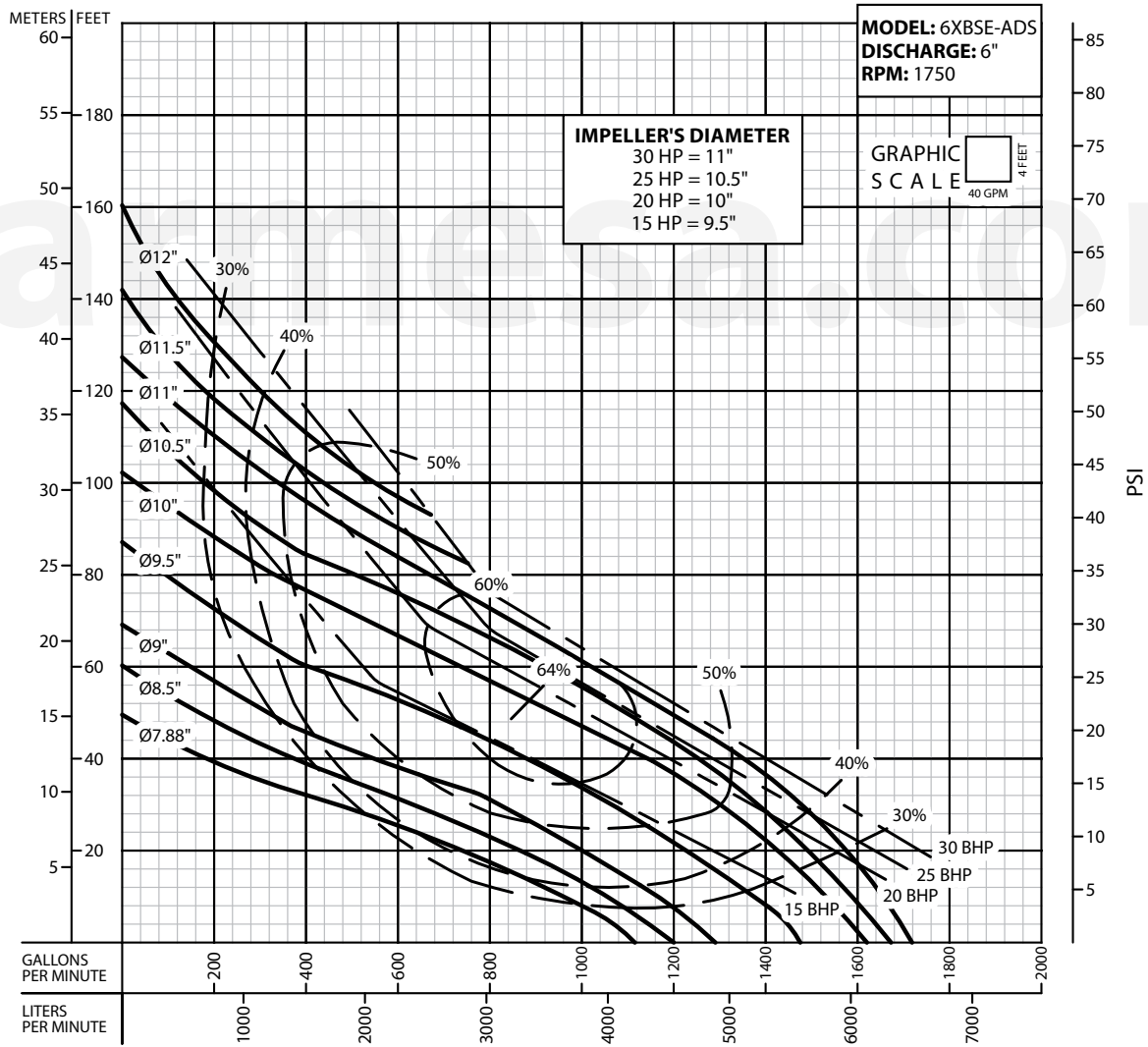
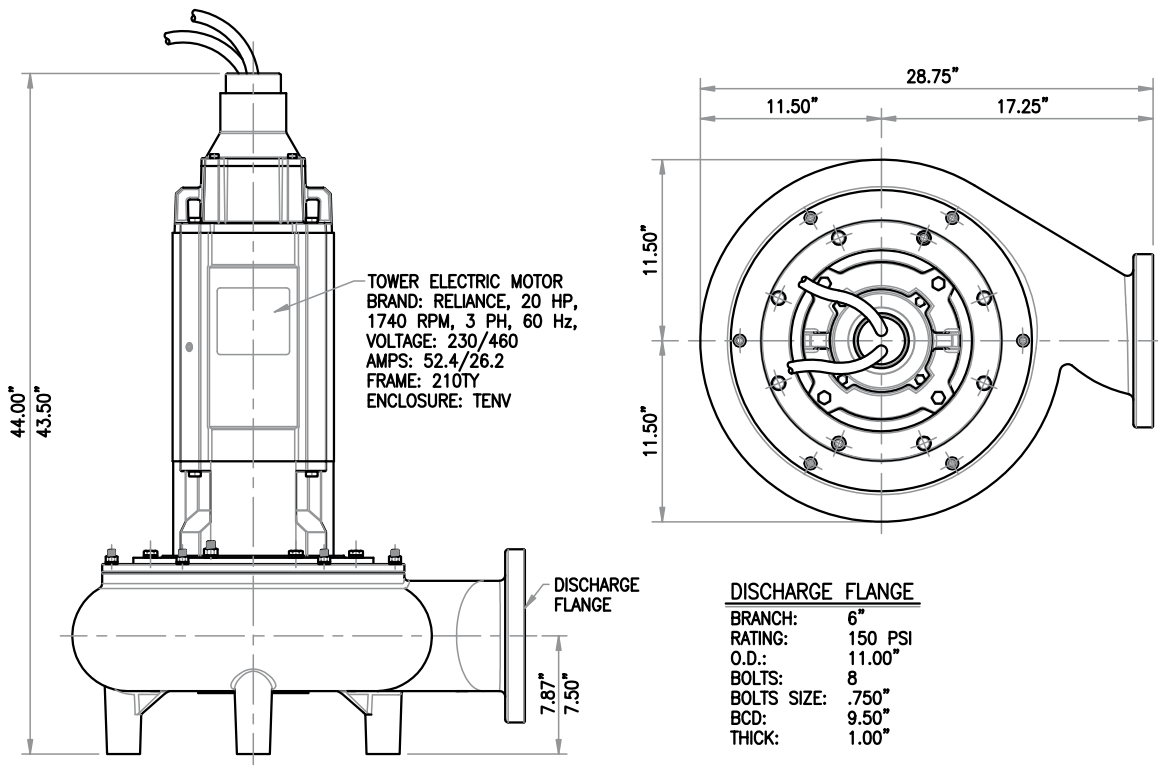
Normally open (N/O) included.

## TEMPERATURE SENSOR

Normally closed (N/C) included.

## OPTIONAL EQUIPMENT

Impeller trimming, additional cord, tungsten carbide seal, slide rail coupling (SRC-6).



**IMPORTANT!**

1. Never use this pump to handle explosive liquids.
2. This pump is not approved to be used in swimming pools, recreational installations or any application where human contact may be common.
3. Pump may be operated "dry" for extended periods without damage to motor and/or seals.
4. Testing is performed with water specific gravity of 1.0 @ 68 °F (20 °C); other fluids may vary performance.