

END-SUCTION CENTRIFUGAL PUMPS

Series: BES2025CU7
2" x 2½"
Universal Drive



SUCTION

2½" 125 lb. ANSI flange.

DISCHARGE

2" 125 lb. ANSI flange. It can be placed in 4 different locations depending on piping requirements.

LIQUID TEMPERATURE

225 °F (107 °C) continuous

BODY

Cast iron ASTM A-48, class 30, back pull-out design, with removing suction and discharge piping.

PEDESTAL

Cast iron ASTM A-48, class 30.

IMPELLER

Design: enclosed type, dynamically balanced, ISO G6.3, maximum spheres 0.375".

Material: 304 stainless steel

SHAFT

Stainless steel

SHAFT SLEEVE

Bronze C95200

HARDWARE

Steel

CASING WEARING

Bronze C95200

PAINT

Air dry enamel, water based.

SEAL

Design: mechanical

Material: carbon / Ni-Resist / Buna-N

BEARING-DRIVE END

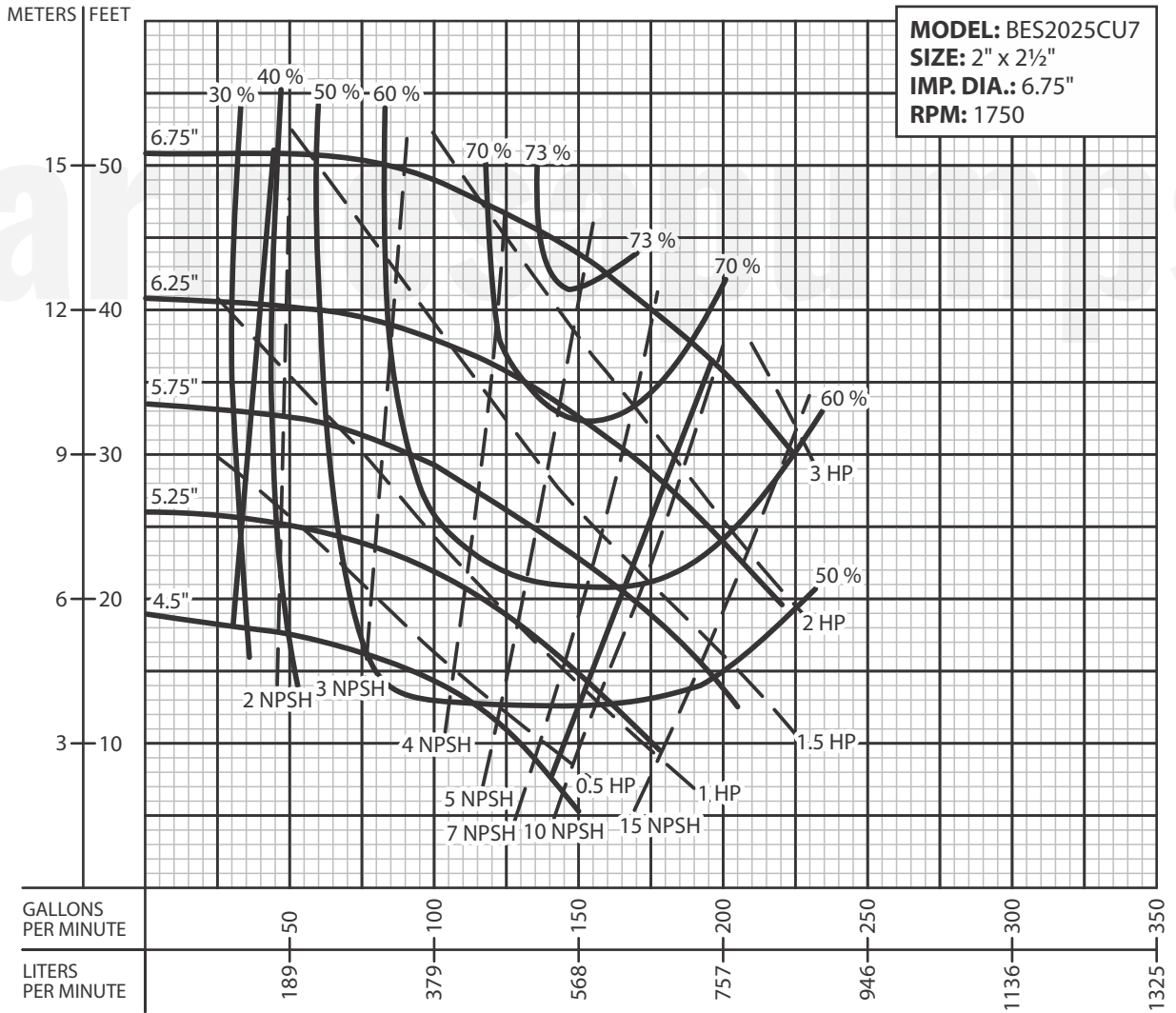
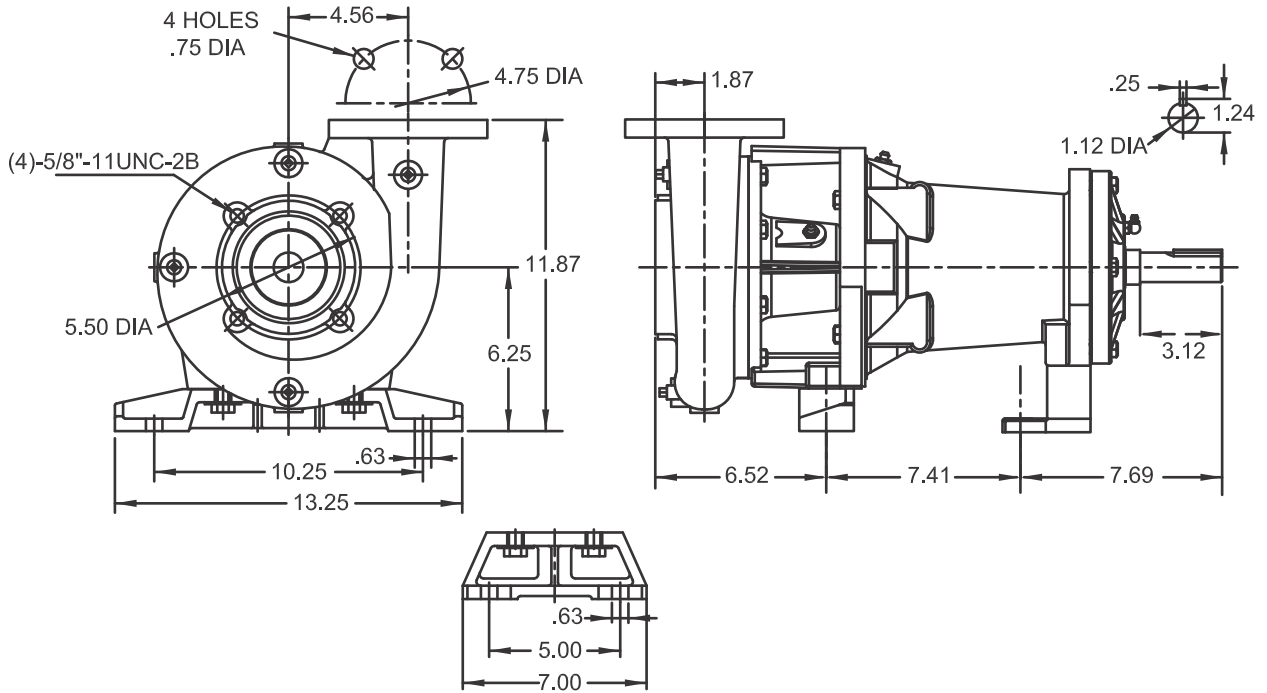
Single row, ball, grease lubricated.

BEARING-PUMP END

Single row, ball, grease lubricated.

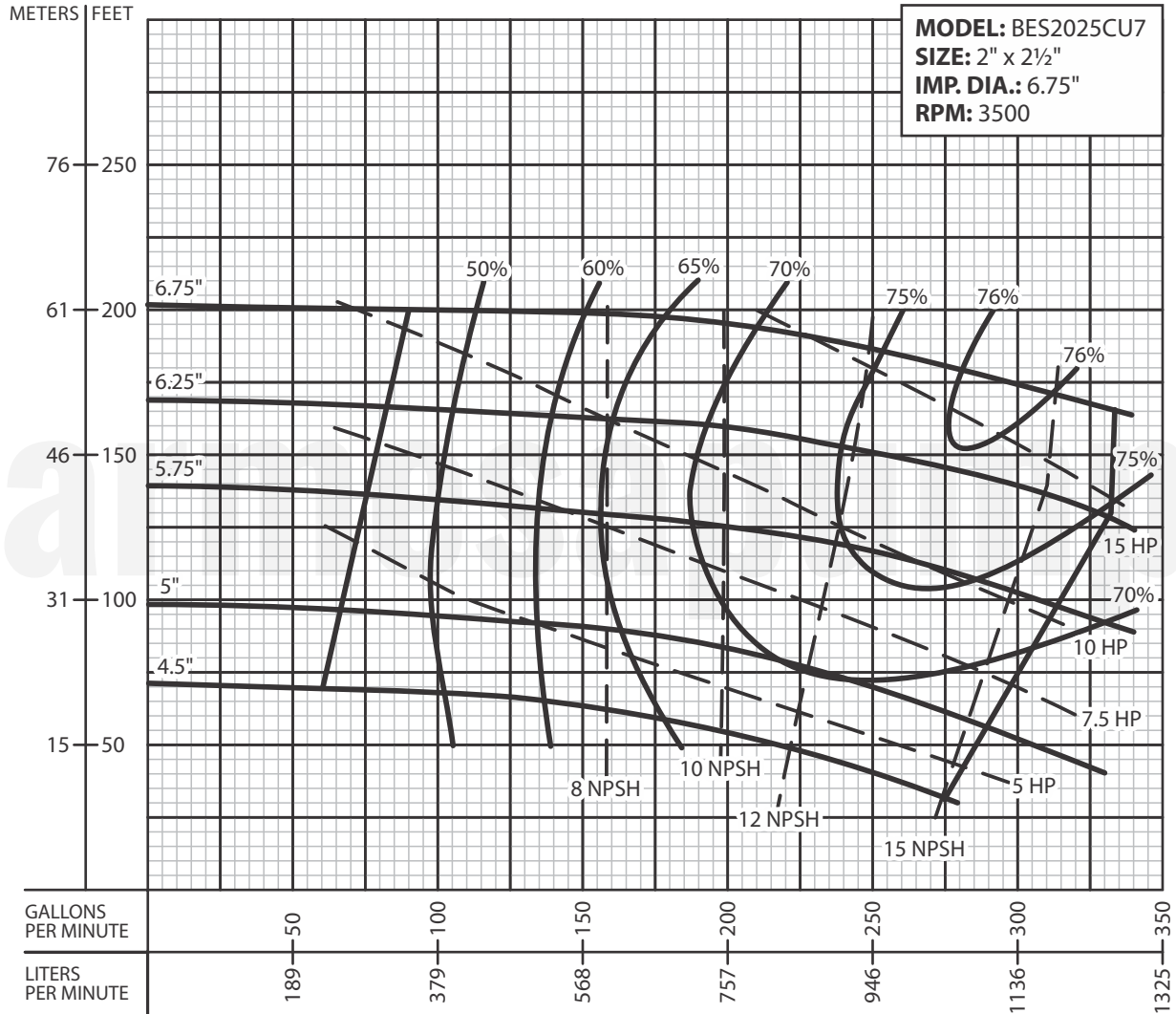
WEIGHT

150 lb (68 kg)



IMPORTANT!

1. Never use this pump to handle explosive liquids.
2. This pump is not approved to be used in swimming pools, recreational installations or any application where human contact may be common.
4. Testing is performed with water specific gravity of 1.0 @ 68 °F (20 °C); other fluids may vary performance.



Testing is performed with water specific gravity of 1.0 @ 68 °F (20 °C); other fluids may vary performance.