

# END-SUCTION CENTRIFUGAL PUMPS

Series: BES4050CU9  
4" x 5"  
Universal Drive



## SUCTION

5" 125 lb. ANSI flange.

## DISCHARGE

4" 125 lb. ANSI flange. It can be placed in 4 different locations depending on piping requirements.

## LIQUID TEMPERATURE

225 °F (107 °C) continuous

## BODY

Cast iron ASTM A-48, class 30, back pull-out design, with removing suction and discharge piping.

## PEDESTAL

Cast iron ASTM A-48, class 30.

## IMPELLER

**Design:** enclosed type, dynamically balanced, ISO G6.3, maximum spheres 0.69".

**Material:** 304 stainless steel

## SHAFT

Stainless steel

## SHAFT SLEEVE

Bronze C95200

## HARDWARE

Steel

## CASING WEARRING

Bronze C95200

## PAINT

Air dry enamel, water based.

## SEAL

**Design:** mechanical

**Material:** carbon / Ni-Resist / Buna-N

## BEARING-DRIVE END

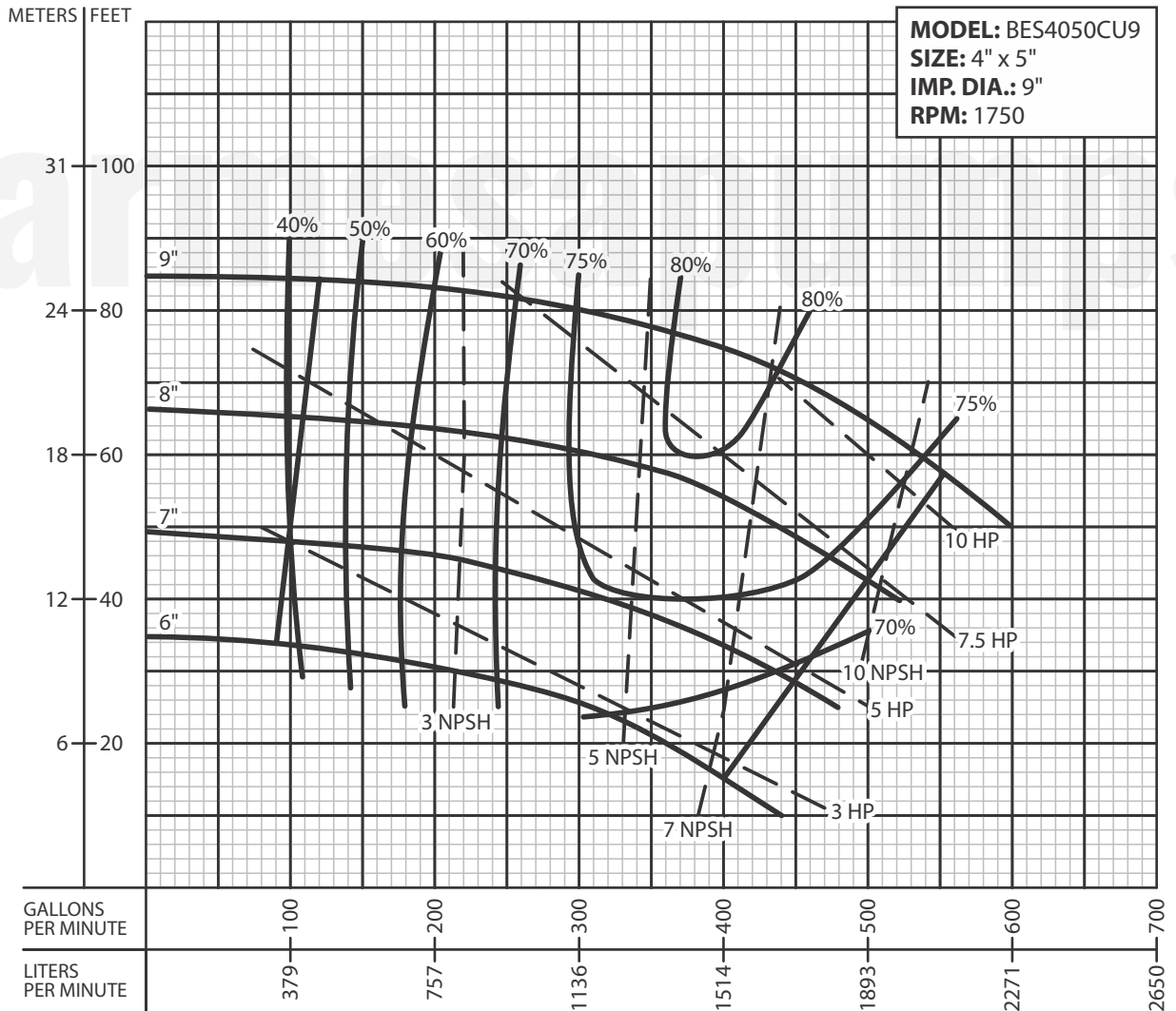
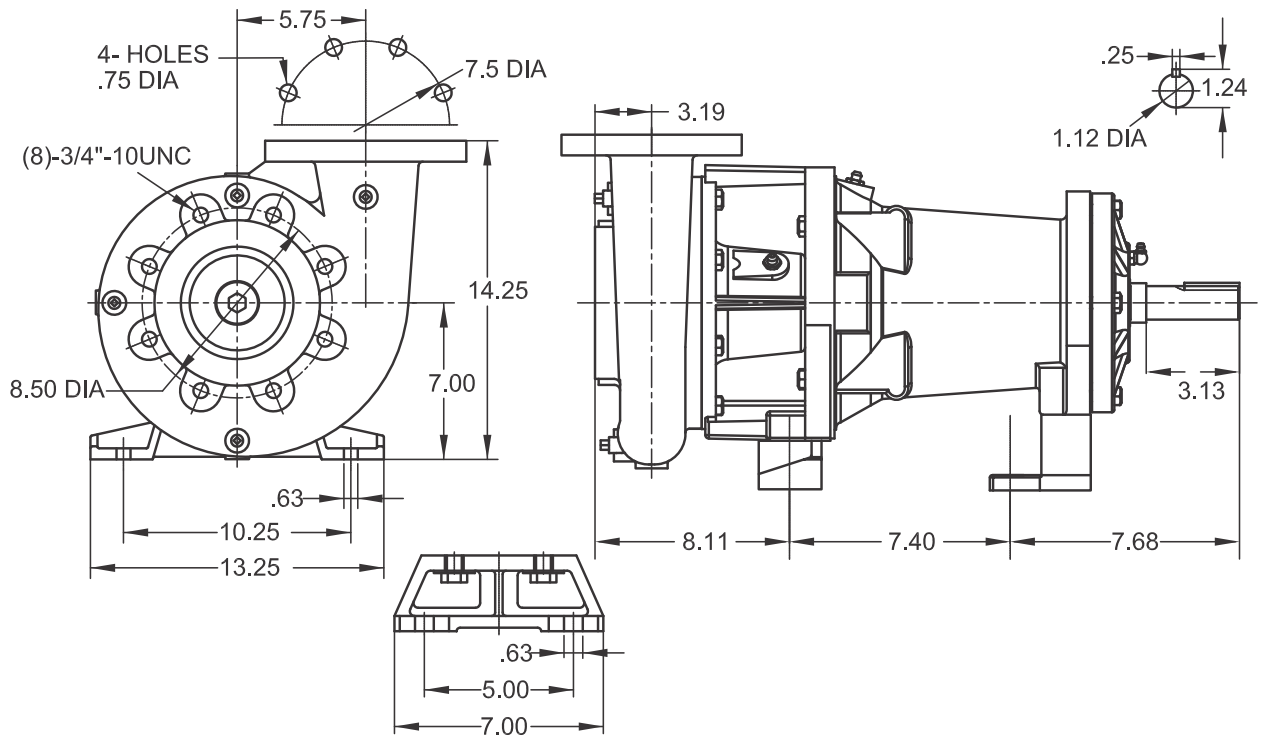
Single row, ball, grease lubricated.

## BEARING-PUMP END

Single row, ball, grease lubricated.

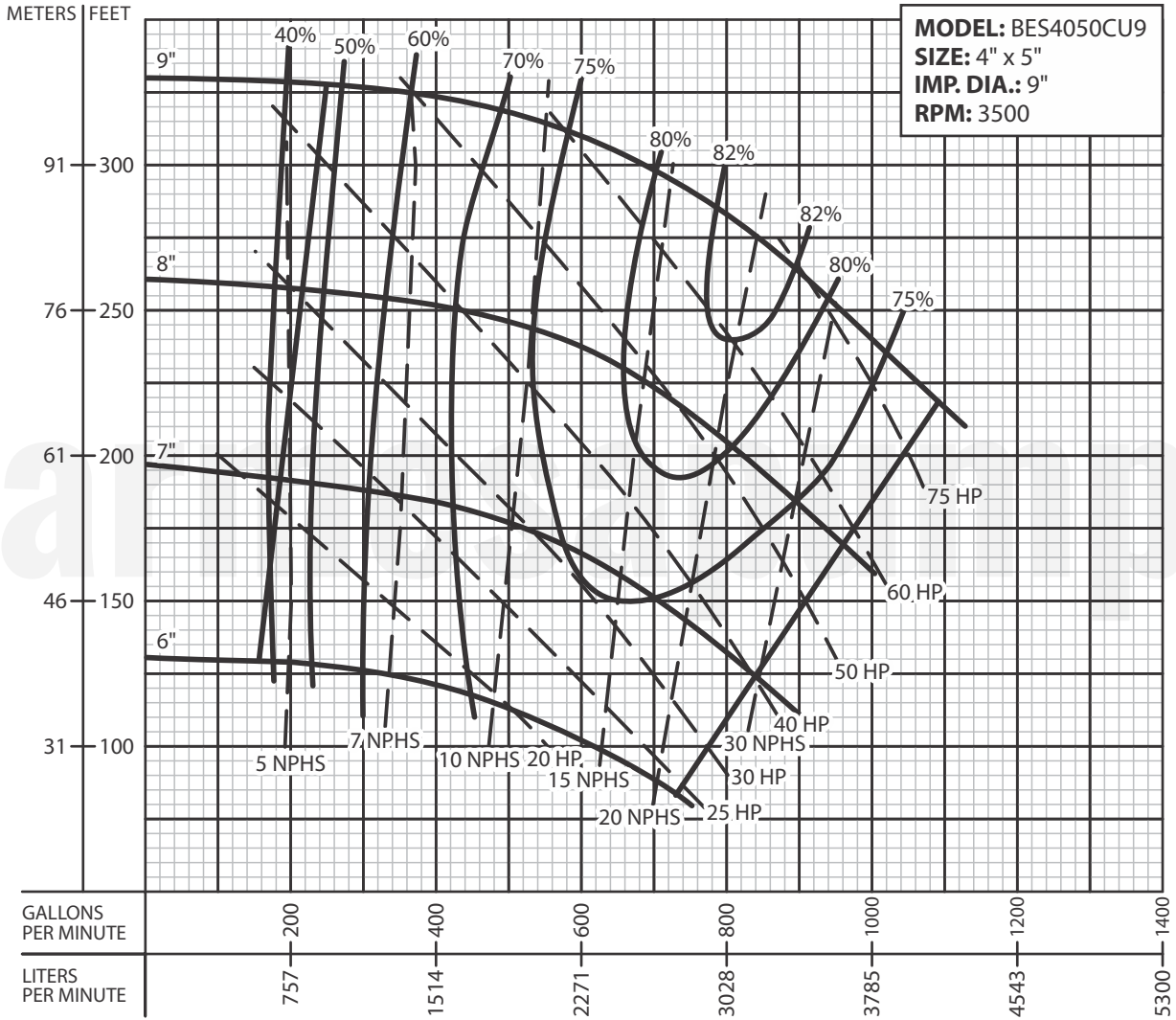
## WEIGHT

270 lb (122.4 kg)



**IMPORTANT!**

1. Never use this pump to handle explosive liquids.
2. This pump is not approved to be used in swimming pools, recreational installations or any application where human contact may be common.
4. Testing is performed with water specific gravity of 1.0 @ 68 °F (20 °C); other fluids may vary performance.



Testing is performed with water specific gravity of 1.0 @ 68 °F (20 °C); other fluids may vary performance.