

SUBMERSIBLE GRINDER PUMP

Series: BGP-DS
2 HP
3500 RPM
Discharge: 1¼"



DISCHARGE

1¼" NPT, vertical.

LIQUID TEMPERATURE

Continuous: 120 °F (48 °C).

Intermittent: 140 °F (60 °C).

VOLUTE

Cast iron ASTM A-48, class 30.

MOTOR HOUSING

Cast iron ASTM A-48, class 30.

SEAL PLATE

Cast iron ASTM A-48, class 30.

IMPELLER

Design: 12 vanes, vortex with vanes on back side, dynamically balanced.

Material: Cast iron ASTM A-48, class 30.

Radial cutter: hardened 440C, stainless steel, hardness Rockwell C-55.

Shredding ring: hardened 440C, stainless steel, hardness Rockwell C-55.

SHAFT

420 series stainless steel.

HARDWARE

Stainless steel.

O-RINGS

Buna-N.

PAINT

Air dry enamel, water based.

SEAL

Design: double seal, oil lubricated

Material: ceramic stationary part, carbon ring seal and exclusion in the rotating part, and silicon-silicon in the secondary (pump) seal. Buna-N elastomer and stainless steel spring.

CORD ENTRY

30 ft of neoprene cord, sealed against moisture.

BEARINGS

Ball, single row, oil lubricated.

MOTOR

Single phase: permanent split capacitor, 230 volts, 60 Hz, 3500 RPM, oil filled, with overload protection in motor. Class F insulation. Model BGP202DS requires capacitors and relay to be installed in control panel. Model BGPC202DS offers internal capacitor design.

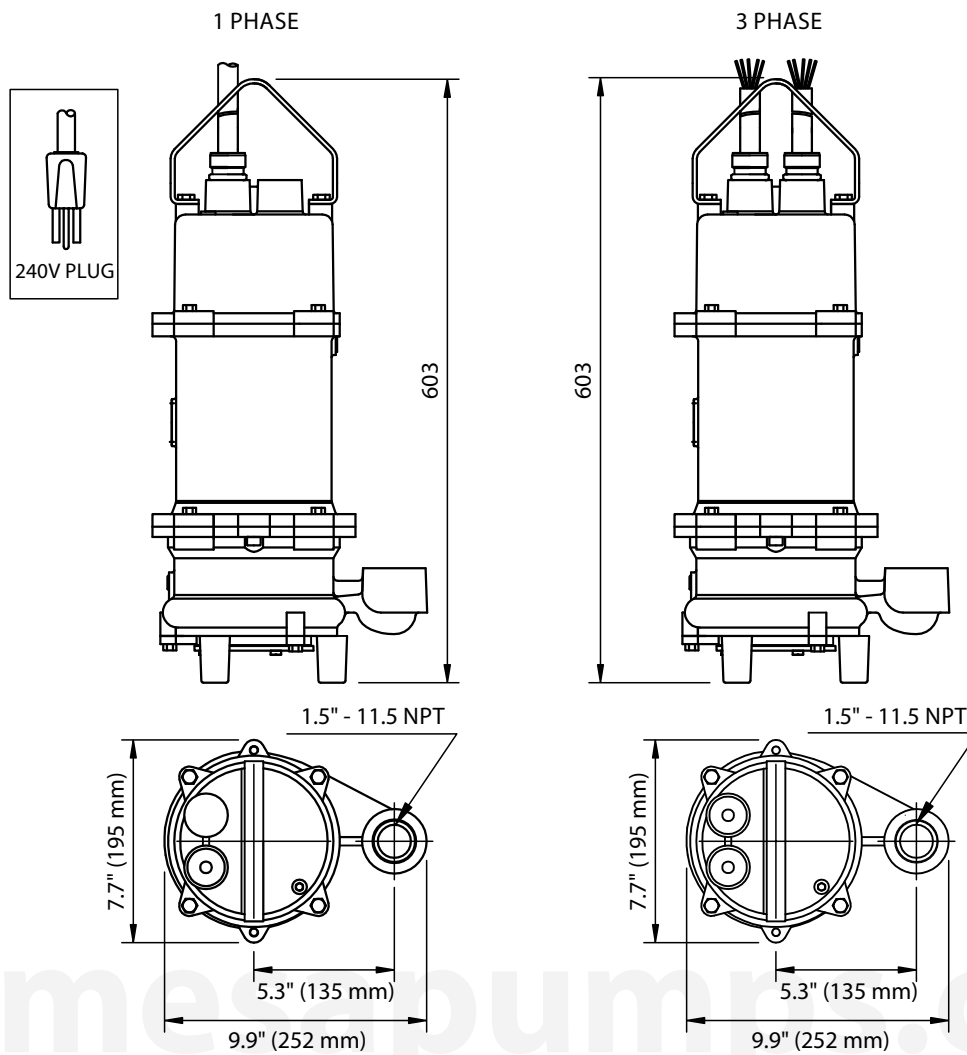
Three phase: 230 & 460 volts, 60 Hz, 3500 RPM, oil filled, with overload protection in motor. Class F insulation.

MOISTURE SENSOR

Normally open (N/O) included.

OPTIONAL EQUIPMENT

Additional cord, slide rail coupling (SRC-1¼).



MODEL	PART No.	HP	VOLTS	PHASE	RPM (nominal)	MAX AMPS	LOCKED ROTOR AMPS	CORD SIZE	CORD TYPE	INTERNAL CAPACITOR	MOISTURE SENSOR	WEIGHT (pounds)
BGP202DS	72100101	2	230	1	3500	14.5	23	12/3	SOOW	No	Yes	130
BGP203DS	72100102	2	230	3	3500	8.8	22.5	12/4	SOOW	n/a	Yes	130
BGP204DS	72100103	2	460	3	3500	4.4	11.3	12/4	SOOW	n/a	Yes	130
BGPC202DS	72100104	2	230	1	3500	14.5	23	12/3	SOOW	Yes	No	130
BGPC202DSA*	72100105	2	230	1	3500	14.5	23	12/3	SOOW	Yes	No	130

* Includes the level control with the pump.

IMPORTANT!

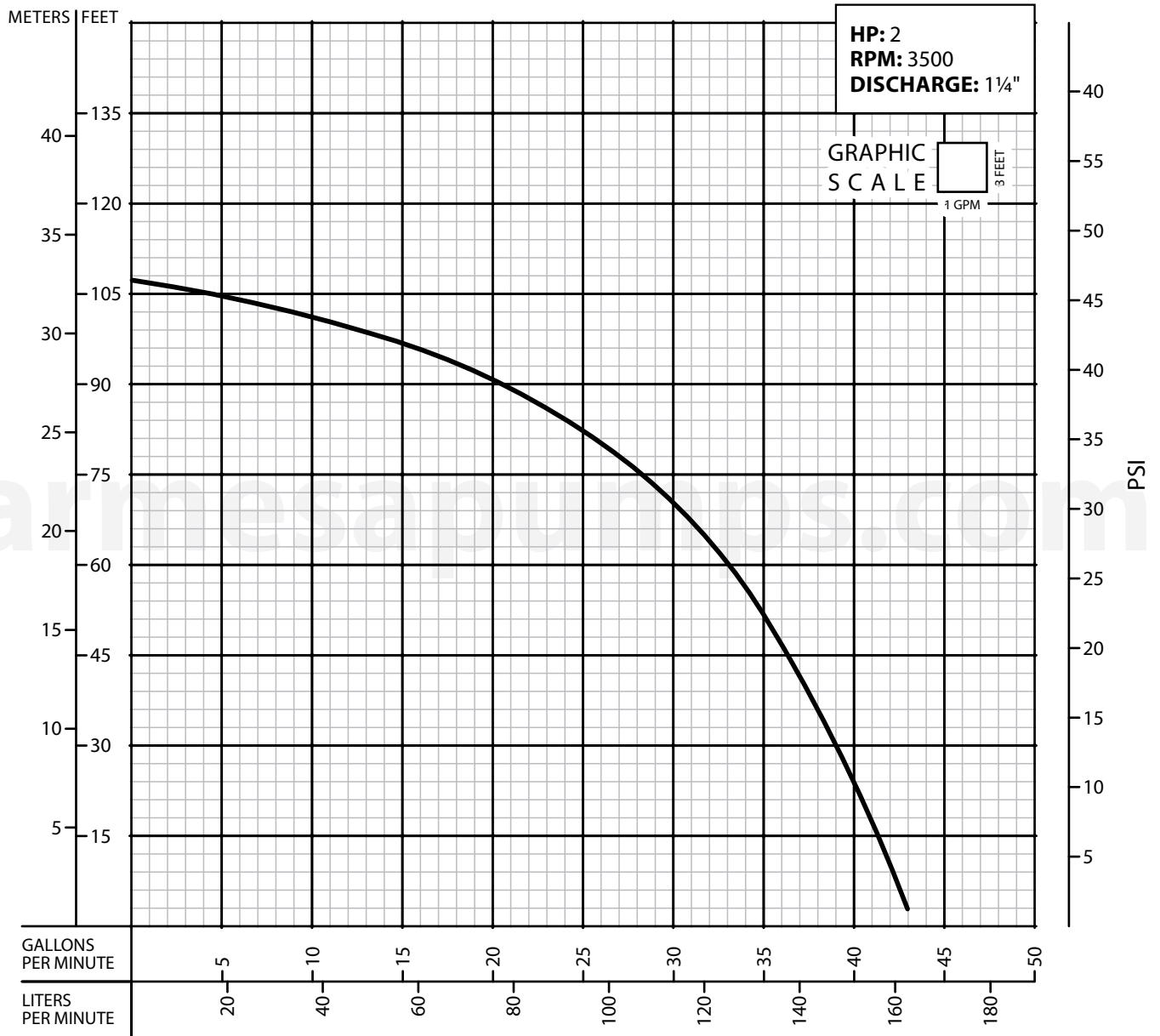
1. Never use this pump to handle explosive liquids.
2. This pump is not approved to be used in swimming pools, recreational installations or any application where human contact may be common.
3. Pump may be operated "dry" for extended periods without damage to motor and/or seals.
4. Testing is performed with water specific gravity of 1.0 @ 68 °F (20 °C); other fluids may vary performance.

PERFORMANCE CURVES

Submersible Grinder

Pumps

Series: **BGP-DS 2 HP**



GRAPHIC SCALE 

Testing is performed with water specific gravity of 1.0 @ 68° F (20° C); other fluids may vary performance.