

END-SUCTION CENTRIFUGAL STAINLESS STEEL

Series: CD
1 - 3 HP



SUCTION

CD70: 1¼" NPT horizontal
CD120 & CD200: 1½" NPT horizontal

DISCHARGE

1" & 1¼" NPT vertical

LIQUID TEMPERATURE

158 °F (70 °C)

MAX. WORKING PRESSURE

125 psi (8.8 kg/cm²)

BODY

304 series stainless steel

IMPELLER

Design: close type

Material: 304 series stainless steel

SEAL

Design: mechanical type 21, lubricated by water.

Material: ceramic stationary part, carbon ring seal and exclusion in the rotating part. Buna-N elastomer and stainless steel spring.

BRACKET

304 series stainless steel

HARDWARE

304 series stainless steel

O-RING

Buna-N

SHAFT

316 series stainless steel

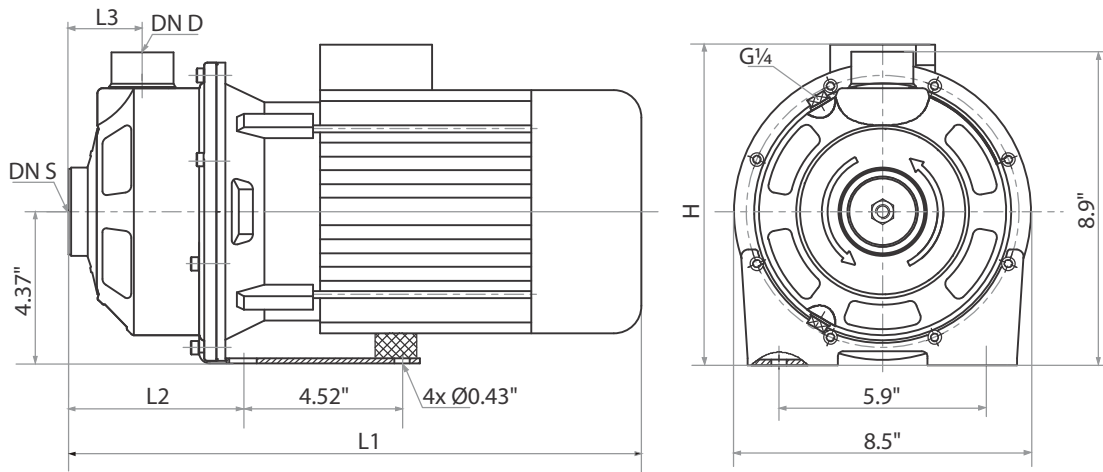
MOTOR

IE2, TEFC, 3450 RPM (2 poles), 60 Hz, three phase 230/460 volts, protection class IP55 and insulation class F.

Requires overload to be included in control panel.

OPTIONAL EQUIPMENT

Viton® seal for high temperature



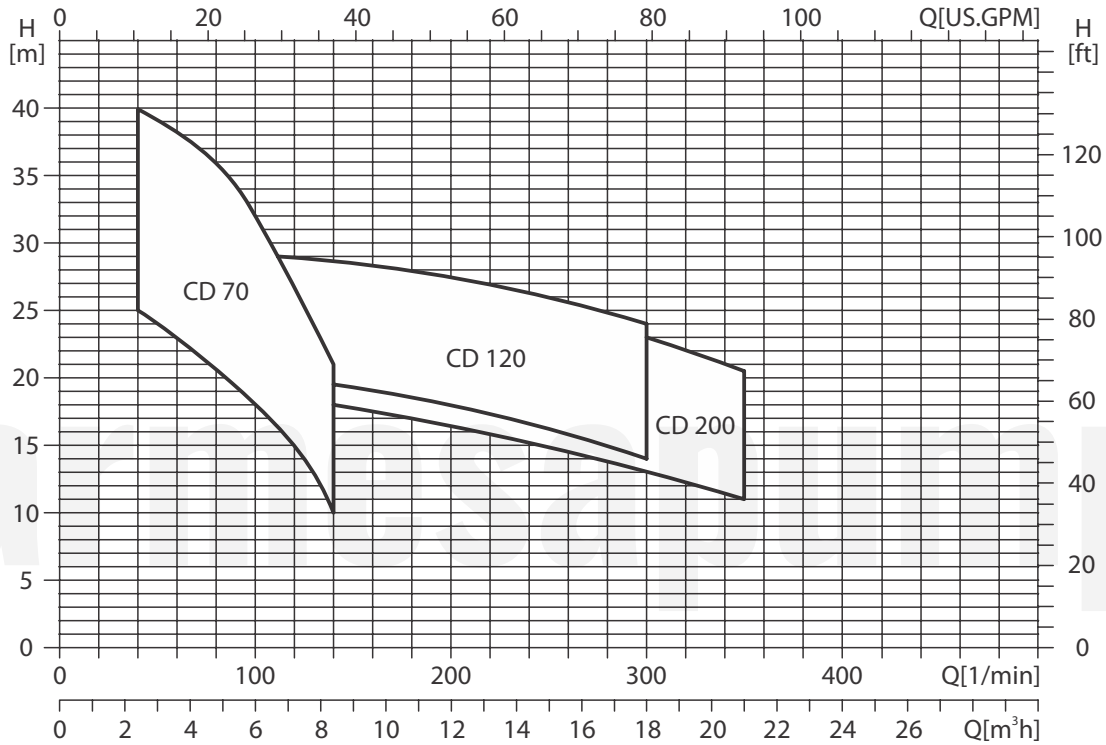
| MODEL | PART No. | SIZE | HP | PHASE | VOLTS | L1 | L2 | L3 | H | WEIGHT (pounds) |
|----------------|-----------|-----------|-----|-------|---------|--------|-----|-----|-----|--------------------|
| | | | | | | INCHES | | | | |
| CD70-1-2 | 70080051 | 1¼" x 1" | 1 | 3 | 230/460 | 14.2 | 4.4 | 2 | 8.7 | 30.8 |
| CD70-1.5-2 | 70080052 | 1¼" x 1" | 1.5 | 3 | 230/460 | 14.2 | 4.4 | 2 | 8.7 | 30.8 |
| CD70-1.5-2 VS | 70080052B | 1¼" x 1" | 1.5 | 3 | 230/460 | - | - | - | - | 30.8 |
| CD70-2-2 | 70080053 | 1¼" x 1" | 2 | 3 | 230/460 | 15.7 | 4.4 | 2 | 9.1 | 44 |
| CD70-2-2 VS | 70080053B | 1¼" x 1" | 2 | 3 | 230/460 | - | - | - | - | 44 |
| CD120-1.5-2 | 70080061 | 1½" x 1¼" | 1.5 | 3 | 230/460 | 14.7 | 4.9 | 2.1 | 8.7 | 35.2 |
| CD120-1.5-2 VS | 70080091 | 1½" x 1¼" | 1.5 | 3 | 230/460 | - | - | - | - | 35.2 |
| CD120-2-2 | 70080062 | 1½" x 1¼" | 2 | 3 | 230/460 | 16.3 | 4.9 | 2.1 | 9.1 | 44 |
| CD120-2-2 VS | 70080062B | 1½" x 1¼" | 2 | 3 | 230/460 | - | - | - | - | 44 |
| CD120-3-2 | 70080063 | 1½" x 1¼" | 3 | 3 | 230/460 | 16.3 | 4.9 | 2.1 | 9.1 | 50.7 |
| CD120-3-2 VS | 70080063B | 1½" x 1¼" | 3 | 3 | 230/460 | - | - | - | - | 50.7 |
| CD200-2-2 | 70080071 | 1½" x 1¼" | 2 | 3 | 230/460 | 14.7 | 4.9 | 2.1 | 8.7 | 44 |
| CD200-2-2 VS | 70080071B | 1½" x 1¼" | 2 | 3 | 230/460 | - | - | - | - | 44 |
| CD200-3-2 | 70080072 | 1½" x 1¼" | 3 | 3 | 230/460 | 16.3 | 4.9 | 2.1 | 9.1 | 50.7 |
| CD200-3-2 VS | 70080072B | 1½" x 1¼" | 3 | 3 | 230/460 | - | - | - | - | 50.7 |

VS= Viton seal

IMPORTANT!

1. Never use this pump to handle explosive liquids.

Scope of performance



| MODEL | DRIVING MOTOR | | Q (1/min) | 20 | 40 | 60 | 80 | 100 | 120 | 140 | 160 | 200 | 250 | 300 | 330 | 350 | |
|-------------|---------------|------|-----------|-----|-----|-----|-----|-----|------|------|------|------|------|-----|-----|------|------|
| | (kW) | (HP) | Q (m³/h) | 1.2 | 2.4 | 3.6 | 4.8 | 6.0 | 7.2 | 8.4 | 9.6 | 12 | 15 | 18 | 20 | 21 | |
| CD70-1-2 | 0.75 | 1 | H (m) | | 25 | 23 | 21 | 17 | 15 | 10 | | | | | | | |
| CD70-1.5-2 | 1.1 | 1.5 | | | 33 | 31 | 29 | 25 | 21 | 15 | | | | | | | |
| CD70-2-2 | 1.5 | 2 | | | 40 | 38 | 36 | 32 | 27 | 22 | | | | | | | |
| CD120-1.5-2 | 1.1 | 1.5 | | | | | | | 20.5 | 20 | 19.5 | 19 | 18 | 17 | 14 | | |
| CD120-2-2 | 1.5 | 2 | | | | | | | 25.5 | 25 | 24.5 | 24 | 23 | 22 | 20 | | |
| CD120-3-2 | 2.2 | 3 | | | | | | | 29 | 28.8 | 28.5 | 28 | 27.5 | 26 | 24 | | |
| CD200-2-2 | 1.5 | 2 | | | | | | | | 18.5 | 18 | 17.5 | 16.5 | 15 | 13 | 12 | 11 |
| CD200-3-2 | 2.2 | 3 | | | | | | | | 28.5 | 28 | 27.5 | 26.5 | 25 | 23 | 21.5 | 20.5 |

