

VERTICAL MULTI-STAGE CENTRIFUGAL PUMP

Series: BMV20-10-303

3 HP

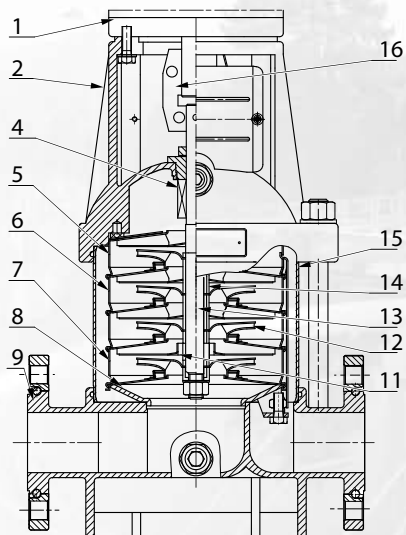
Max inlet pressure: 20 bar

Max working pressure: 25 bar



Representative image.

barmesapumps.com



| Item | Name | Material | AISI/ASTM |
|------|--------------------------|------------------|---------------------|
| 1 | Motor | | |
| 2 | Pump Head | Cast iron | ASTM25B |
| 4 | Mechanical seal | | |
| 5 | Top diffuser | Stainless steel | AISI304 |
| 6 | Diffuser | Stainless steel | AISI304 |
| 7 | Support diffuser | Stainless steel | AISI304 |
| 8 | Inducer | Stainless steel | AISI304 |
| 9 | Inlet and outlet chamber | Cast iron | ASTM25B |
| 11 | Bearing | Tungsten carbide | |
| 12 | Impeller | Stainless steel | AISI304 |
| 13 | Shaft | Stainless steel | AISI304 AISI316L |
| 14 | Impeller sleeve | Stainless steel | AISI304 |
| 15 | Cylinder | Stainless steel | AISI304 |
| 16 | Coupling | Carbon steel | |

