

VERTICAL MULTI-STAGE CENTRIFUGAL PUMP

Series: BMV85-42-6003

60 HP

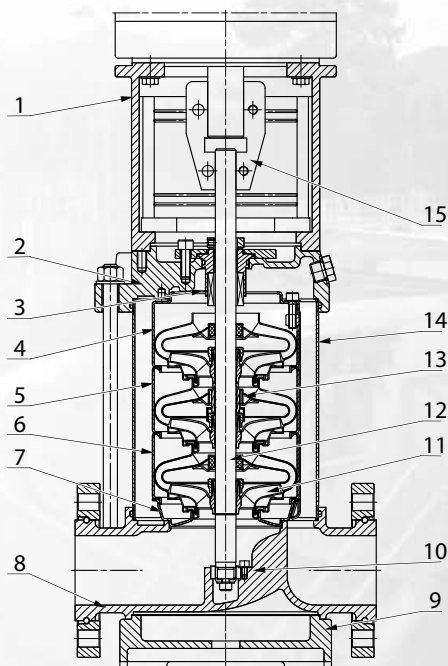
Max inlet pressure: 15 bar

Max working pressure: 25 bar

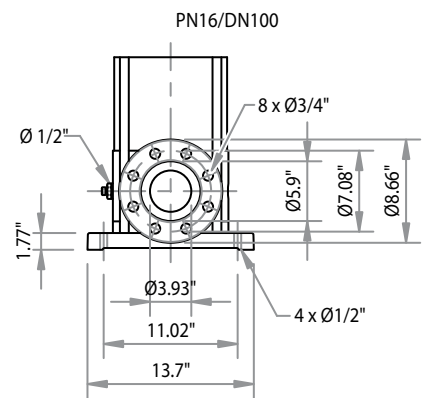
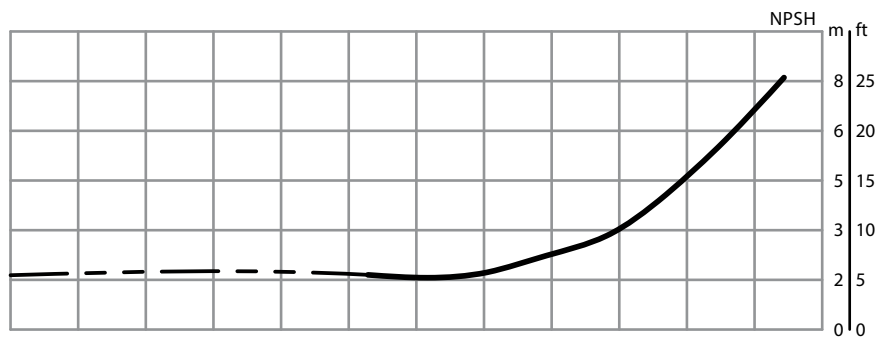
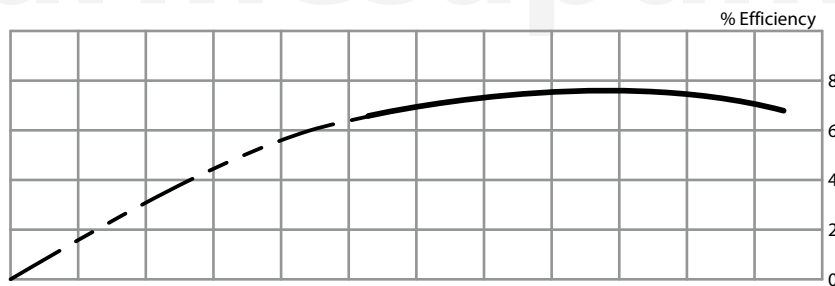
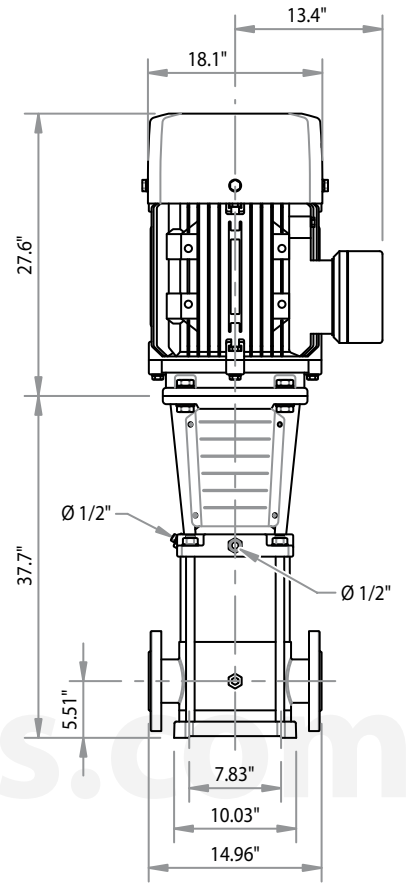
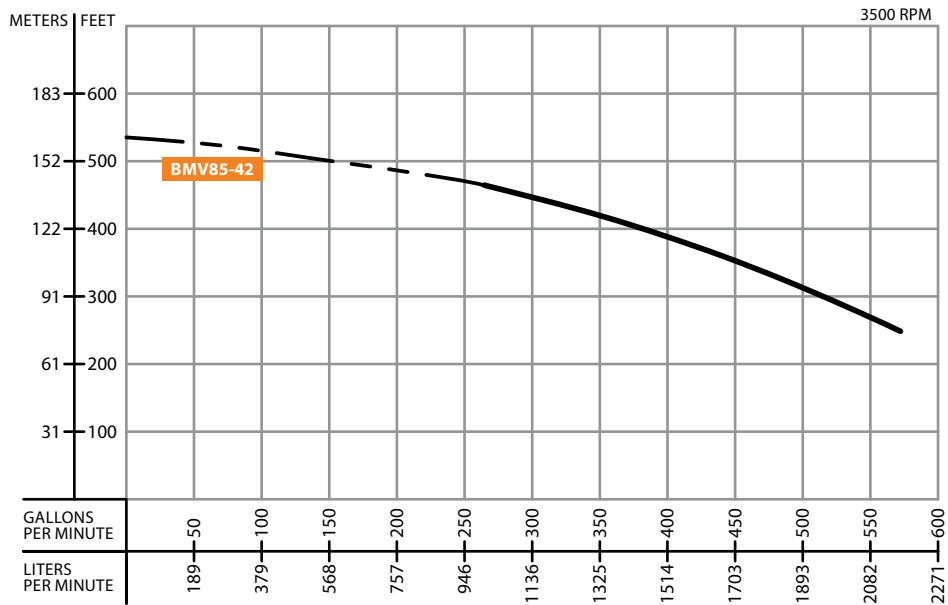


Representative image.

barmesapumps.com



| Item | Name | Material | AISI/ASTM |
|------|--------------------------|------------------|----------------------|
| 1 | Bracket | Cast iron | ASTM25B |
| 2 | Pump head | Cast iron | ASTM25B |
| 3 | Mechanical seal | | |
| 4 | Top diffuser | Stainless steel | AISI304 |
| 5 | Support diffuser | Stainless steel | AISI304 |
| 6 | Diffuser | Stainless steel | AISI304 |
| 7 | Inducer | Stainless steel | AISI304 |
| 8 | Inlet and outlet chamber | Cast iron | ASTM25B |
| 9 | Base plate | Cast iron | ASTM25B |
| 10 | Bottom bearing | Tungsten carbide | |
| 11 | Impeller | Stainless steel | AISI304 |
| 12 | Shaft | Stainless steel | AISI316L ANSI 431 |
| 13 | Intermediate bearing | Tungsten carbide | |
| 14 | Cylinder | Stainless steel | AISI304 |
| 15 | Coupling | Carbon steel | |
| | Rubber parts | NBR | |



barmesapumps.com