

HIGH EFFICIENCY VERTICAL MULTISTAGE CENTRIFUGAL PUMP

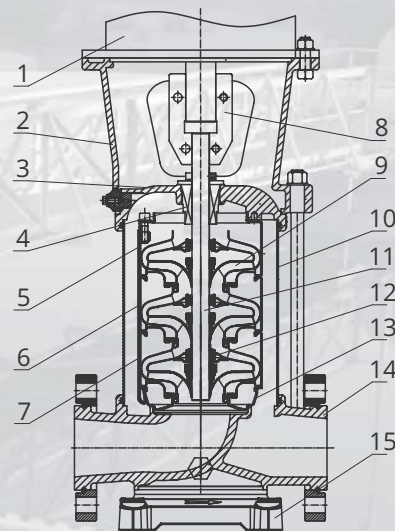
Series: **HMV300-50-2-7503**
75 HP

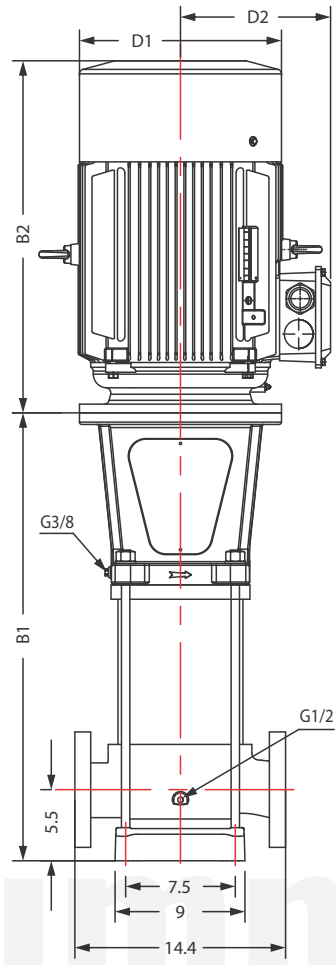
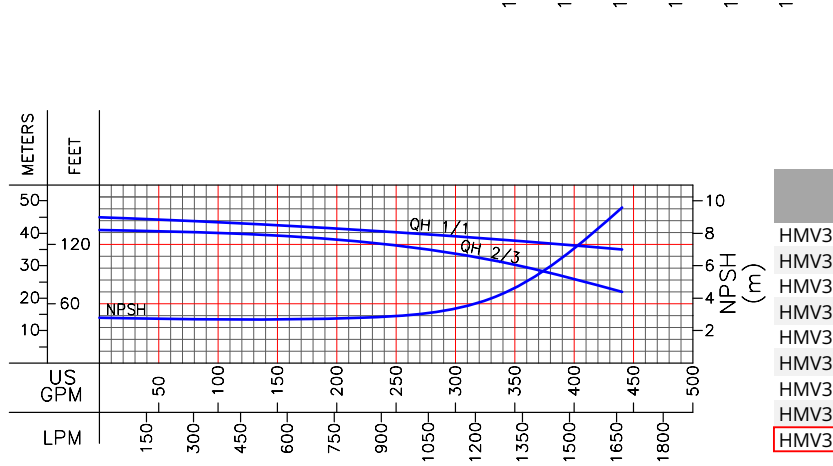
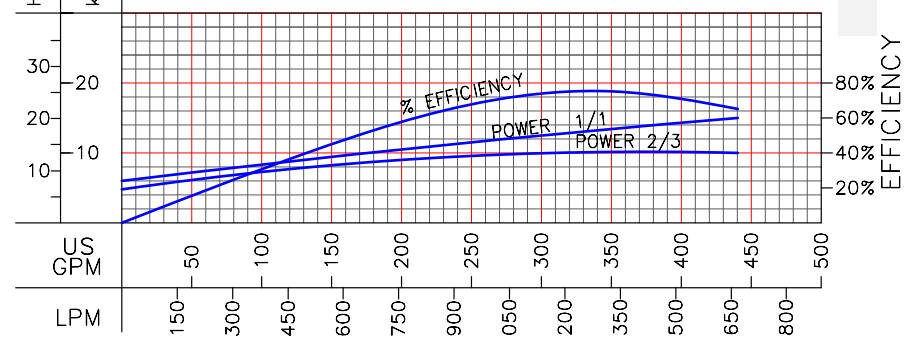
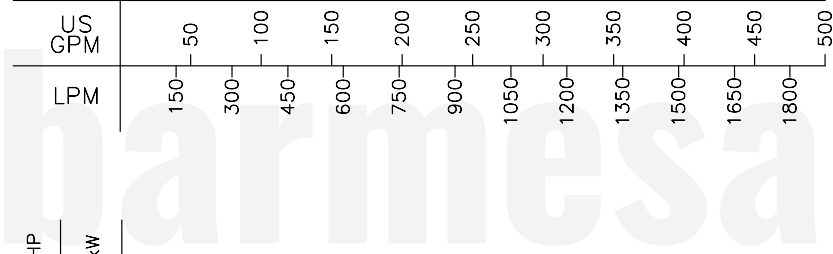
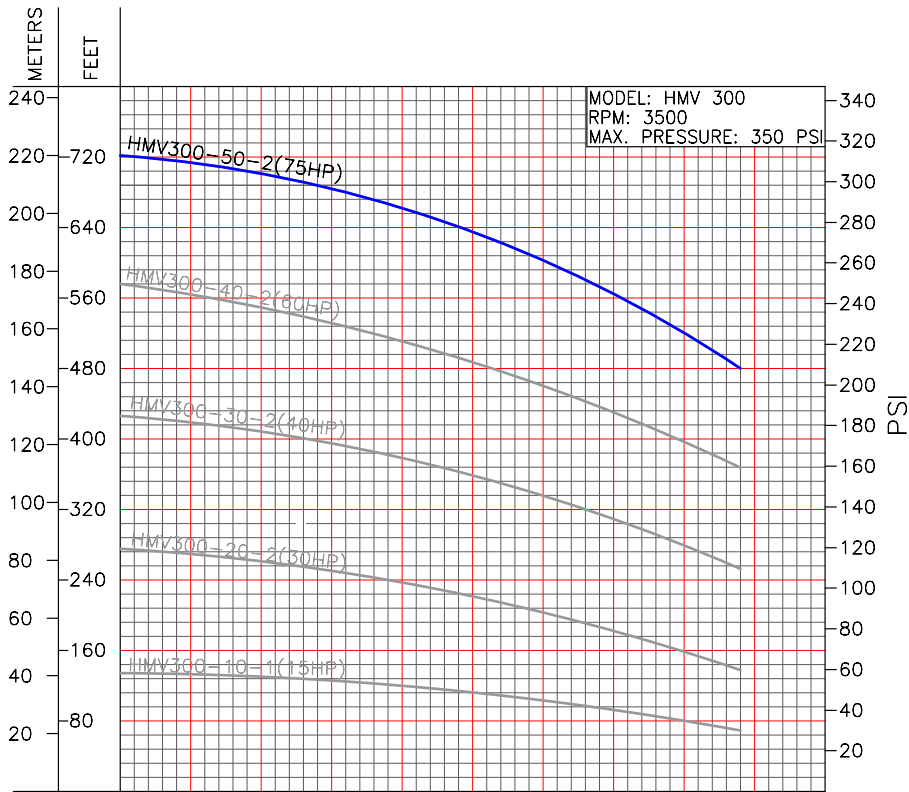


* Representative image

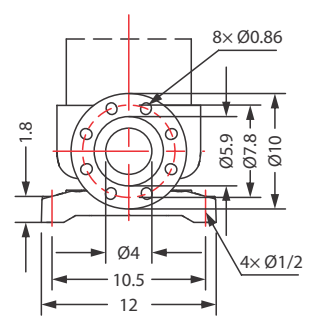
| TECHNICAL DATA | | | | | | | | |
|------------------|-----------|----|------|---------|-----------|-----------------|--------------|-------------|
| MODEL | PART No. | HP | RPM | V | MAX. AMPS | MAX. TEMP. (°F) | MAX. Q (gpm) | MAX. H (ft) |
| HMV300-10-1-1503 | 70120117A | 15 | 3500 | 230/460 | 34/17 | 248 | 410 | 131 |
| HMV300-10-2-003 | 70120117B | 20 | 3500 | 230/460 | 46/23 | 248 | 410 | 157 |
| HMV300-20-2-3003 | 70120117C | 30 | 3500 | 230/460 | 66.9/33.5 | 248 | 410 | 265 |
| HMV300-20-4-003 | 70120117H | 40 | 3500 | 230/460 | 90.7/45.4 | 248 | 410 | 298 |
| HMV300-30-2-4003 | 70120117D | 40 | 3500 | 230/460 | 90.7/45.4 | 248 | 410 | 409 |
| HMV300-30-5-003 | 70120117E | 50 | 3500 | 230/460 | 111/55.7 | 248 | 410 | 454 |
| HMV300-40-2-6003 | 70120117F | 60 | 3500 | 230/460 | 134/66.8 | 248 | 410 | 573 |
| HMV300-40-7503 | 70120117J | 75 | 3500 | 230/460 | 163/81.3 | 248 | 410 | 605 |
| HMV300-50-2-7503 | 70120117G | 75 | 3500 | 230/460 | 163/81.3 | 248 | 410 | 720 |

| ITEM | NAME | MATERIAL | AISI/ASTM |
|------|------------------------|-------------------|--------------------|
| 1 | Motor | - | - |
| 2 | Bracket | Ductile cast iron | ASTM A536 65-45-12 |
| 3 | Seal base | Stainless steel | AISI 304 |
| 4 | Mechanical seal | SiC/Carbon | - |
| 5 | Top diffuser | Stainless steel | AISI 304 |
| 6 | Diffuser | Stainless steel | AISI 304 |
| 7 | Support diffuser | Stainless steel | AISI 304 |
| 8 | Coupling | Ductile iron | ASTM A536 65-45-12 |
| 9 | Impeller | Stainless steel | AISI 304 |
| 10 | Cylinder | Stainless steel | AISI 304 |
| 11 | Shaft | Stainless steel | AISI 304 |
| 12 | Bearing | Tungsten carbide | - |
| 13 | Inducer | Stainless steel | AISI 304 |
| 14 | Inlet & outlet chamber | Stainless steel | AISI 304 |
| 15 | Base | Cast iron | ASTM 25B |





4" / ANSI / CLASS 300



| MODEL | HP | STAGES | SIZE (in) | | | D1 | D2 | WEIGHT (lb) |
|-------------------------|-----------|----------|-----------|-----------|-----------|-----------|-----------|-------------|
| | | | B1 | B2 | B1+B2 | | | |
| HMV300-10-1-1503 | 15 | 1 | 24 | 24 | 48 | 14 | 10 | 399 |
| HMV300-10-2003 | 20 | 1 | 24 | 24 | 48 | 14 | 10 | 399 |
| HMV300-20-2-3003 | 30 | 2 | 28 | 26 | 54 | 14 | 11 | 573 |
| HMV300-20-4003 | 40 | 2 | 28 | 28 | 56 | 16 | 12 | 701 |
| HMV300-30-2-4003 | 40 | 3 | 31 | 3 | 34 | 16 | 12 | 705 |
| HMV300-30-5003 | 50 | 3 | 31 | 28 | 59 | 16 | 12 | 772 |
| HMV300-40-2-6003 | 60 | 4 | 34 | 29 | 63 | 18 | 13 | 926 |
| HMV300-40-7503 | 75 | 4 | 35 | 32 | 68 | 22 | 15 | 1124 |
| HMV300-50-2-7503 | 75 | 5 | 39 | 32 | 71 | 22 | 15 | 1129 |